

# S2403BH

2400 MHz  
Ceiling Mount Antenna

## SAFETY

The antenna has been designed to attach to and hang from standard ceiling panel runners. To prevent personal injury or equipment damage, the antenna must be securely mounted per instructions.

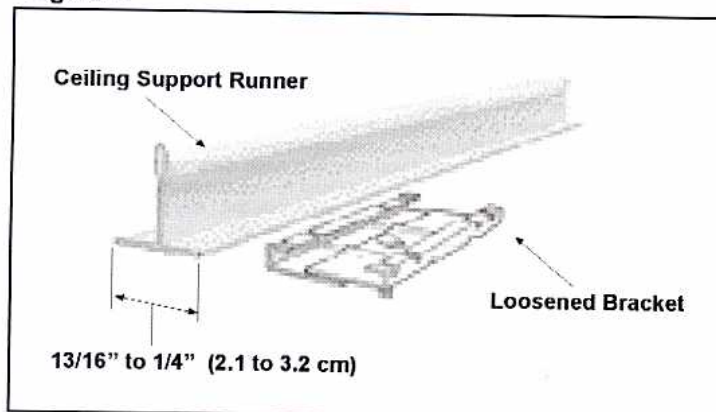
## LOCATION

The location of the antenna is important. Objects such as metal columns, walls, etc. will reduce efficiency. Best performance is achieved when transmit and receive antennas are mounted at the same height and in a direct line of sight with no obstructions. If this is not possible and reception is poor, it's a good idea to try a few different mounting positions to optimize reception.

## MOUNTING

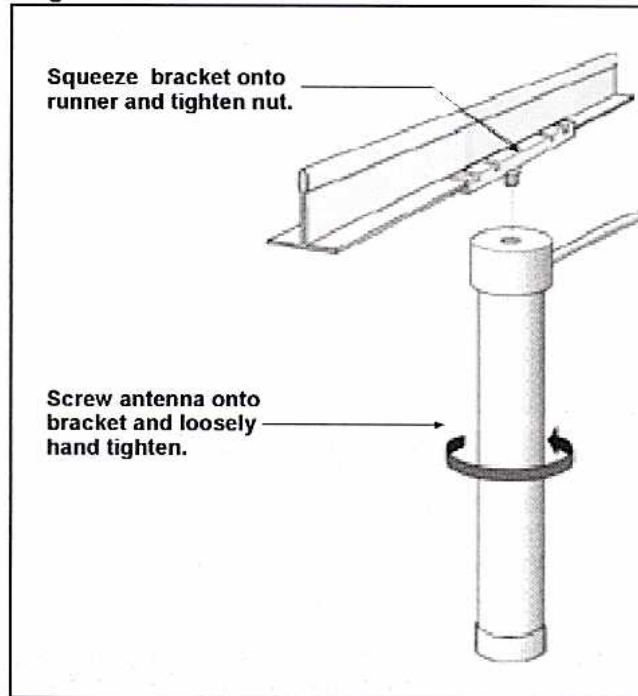
This antenna is suitable for use indoors or outdoors. The antenna bracket fits ceiling support runners 13/16" to 1- 1/4" (2.1cm to 3.2 cm) wide. To install, loosen the 1/4-20 hex nut and position antenna mount over support runner (Figure 1). Squeeze bracket firmly onto runner (hand pressure is adequate) and tighten hex nut securely. Carefully screw antenna onto the 1/4-20 screw (lightly hand tighten). Secure coaxial cable along support runner using tape or cable ties. If another mount is used, limit the depth it is threaded into this hole to .35 inches (.9 cm). For outdoor mounting, install antenna with threaded hole down.

Figure 1



## MOUNTING (cont.)

Figure 2



## SPECIFICATIONS

Model

S2403BH

Frequency, MHz	2400 - 2500
Gain, dBd (dBi)	3.0 / 5.15
Wind Surface Area ft. <sup>2</sup> (m <sup>2</sup> )	0.122 (0.011)
Wind Survivability, mph (kph)	125 (200)
Weight, lb. (kg)	0.64 (0.29)
Height, in. (cm)	9 (22.9)
Nominal Impedance, Ohms	50
VSWR	1.5:1 nominal
Power Handling, Watts	50
Radiating Element	Plated copper laminate
Enclosure	Polycarbonate
*Feed	12" coax cable N Female

Cushcraft offers several optional coax pigtail lengths and types, as well as connector types.

### LIMITED WARRANTY

Cushcraft Corporation, 48 Perimeter Road, Manchester, New Hampshire 03103, warrants to the original consumer purchaser for one year from date of purchase that each Cushcraft antenna is free of defects in material or workmanship. If, in the judgement of Cushcraft, any such antenna is defective, then Cushcraft Corporation will, at its option, repair or replace the antenna at its expense within thirty days of the date the antenna is returned (at purchaser's expense) to Cushcraft or one of its authorized representatives. This warranty is in lieu of all other expressed warranties, any implied warranty is limited in duration to one year. Cushcraft Corporation shall not be liable for any incidental or consequential damages which may result from a defect. Some states do not allow limitations on how long an implied warranty lasts or exclusions or limitations of incidental or consequential damages, so the above limitation and exclusion may not apply to you. This warranty gives you specific legal rights, and you may also have other rights which vary from state to state. This warranty does not extend to any products which have been subject to misuse, neglect, accident or improper installation. Any repairs or alterations outside of the Cushcraft factory will nullify this warranty.

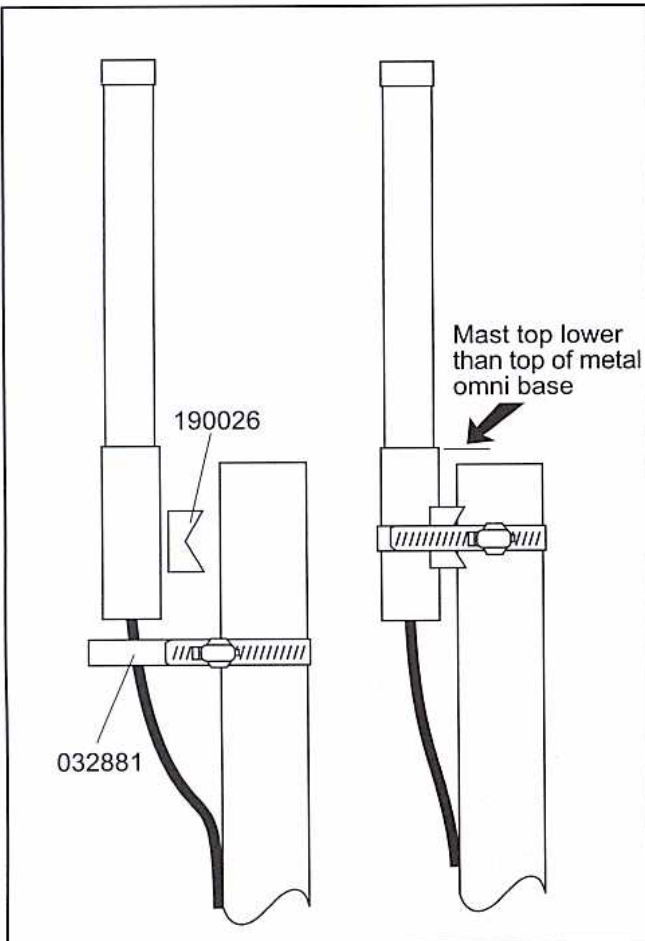


48 PERIMETER ROAD, MANCHESTER, NH 03103  
Tel: 603-627-7877 • Fax: 603-627-1764

# S2403BP

2400-2500 MHz Antenna

## ASSEMBLY AND INSTALLATION INSTRUCTIONS



### SPECIFICATIONS

Model	S2403BP
Frequency, MHz	2400-2500
Gain, dBd	3.0
Wind Surface Area, ft <sup>2</sup> (m <sup>2</sup> )	0.122 (0.011)
Wind Survivability, mph (kph)	125 (200)
Weight, lb (kg)	0.29 (0.64)
Height, in (cm)	9 (22.9)
Nominal Impedance, Ohms	50
VSWR	1.5:1 nominal
Power handling, Watts	50
Radiating Element	Plated copper laminate
Enclosure	Polycarbonate
Feed (standard)	N(f) 12" UltraLink pigtail

### Limited Warranty

Cushcraft Corporation, 48 Perimeter Road, Manchester, New Hampshire 03103, warrant to the original consumer purchaser for one year from date of purchase that each Cushcraft antenna is free of defects in material or workmanship. If, in the judgement of Cushcraft, any such antenna is defective, then Cushcraft will, at its option, repair or replace the antenna at its expense within thirty days of the date the antenna is returned (at purchaser's expense) to Cushcraft or one of its authorized representatives. This warranty is in lieu of all other expressed warranties. Any implied warranty is limited in duration to one year. Cushcraft Corporation shall not be liable for any incidental or consequential damages which may result from a defect. Some states do not allow a limitation on how long an implied warranty lasts or exclusions or limitations of incidental or consequential damages, so the above limitation and exclusion may not apply to you. This warranty gives you specific legal rights, and you may also have other rights which vary from state to state. This warranty does not extend to any products which have been subject to misuse, neglect, accident or improper installation. Any repairs or alterations outside of the Cushcraft factory will nullify this warranty.



48 PERIMETER ROAD, MANCHESTER, NH 03013

Phone: 603-627-7877 • Fax: 603-627-1764

Web: <http://www.cushcraft.com> • E-mail: [sales@cushcraft.com](mailto:sales@cushcraft.com)

### SAFETY

The antenna has been designed to mount to an outdoor pole or mast. To prevent personal injury or equipment damage, the antenna must be securely mounted per instructions.

### LOCATION

The location of the antenna is important. Best performance is achieved when transmit and receive antennas are mounted at the same height and in a direct line of sight with no obstructions. If this is not possible and reception is poor, it is a good idea to try a few different mounting positions to optimize reception.

### MOUNTING

The hose clamp and mounting bracket provided will accommodate a 1.25 to 2 inch (3.2-5.1 cm) mast. Make sure that the mast does not extend above the metal base on the omni. If multiple antennas are mounted on the same mast, it is important to place this antenna at least 12 inches (30 cm) from the other to keep interaction to a minimum.

### CONNECTOR ATTACHMENT

This antenna has a pigtail feed with a female N-connector which provides great flexibility during installation. Dress the pigtail down the mast and connect it to the feedline. Then weatherproof the connectors and attach the pigtail and feedline to the mast with cable ties or tape.

Part # 951467 (5/02)