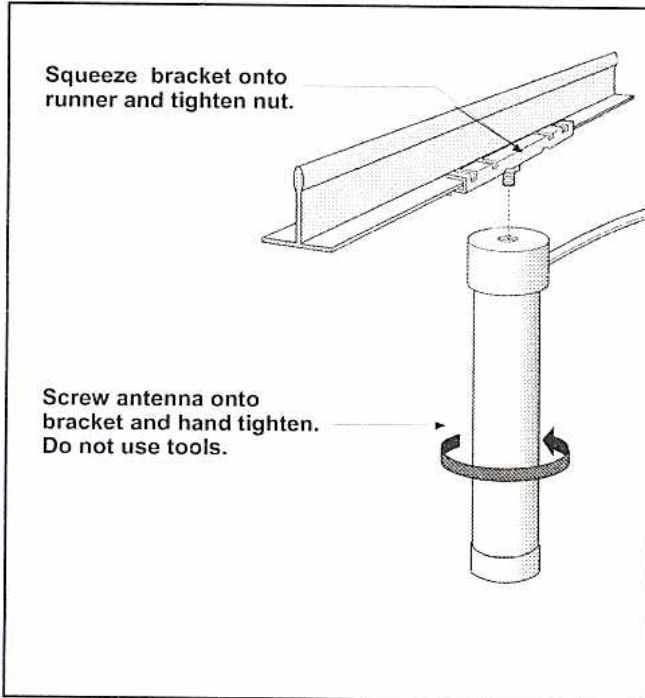


MOUNTING (cont.)

Figure 2



SPECIFICATIONS

Model	S5153BH	S5703BH
Frequency, MHz	5150-5350	5725-5875
Gain, dBd	3	3
Wind Surface Area, ft ² (m ²)	.03 (.003)	.03 (.003)
Wind Survivability, mph (kph)	125 (200)	125 (200)
Weight, lb (kg)	0.1 (.05)	0.1 (.05)
Height, in (cm)	6 (15.2)	6 (15.2)
Nominal Impedance, Ohms	50	50
VSWR	1.5:1	1.5:1
Power handling, Watts	20	20
Radiating Element	Plated copper laminate	Plated copper laminate
Enclosure	Polycarbonate	Polycarbonate
Connector	SMA (f)	SMA (f)
Feed	7" (18) pigtail	7" (18) pigtail

LIMITED WARRANTY

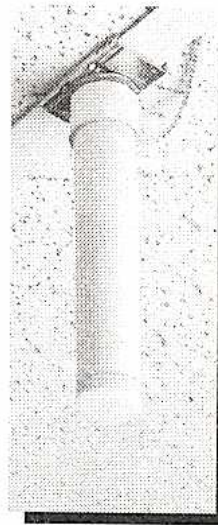
Cushcraft Corporation, 48 Perimeter Road, Manchester, New Hampshire 03103, warrants to the original consumer purchaser for one year from date of purchase that each Cushcraft antenna is free of defects in material or workmanship. If, in the judgement of Cushcraft, any such antenna is defective, then Cushcraft Corporation will, at its option, repair or replace the antenna at its expense within thirty days of the date the antenna is returned (at purchaser's expense) to Cushcraft or one of its authorized representatives. This warranty is in lieu of all other expressed warranties, any implied warranty is limited in duration to one year. Cushcraft Corporation shall not be liable for any incidental or consequential damages which may result from a defect. Some states do not allow limitations on how long an implied warranty lasts or exclusions or limitations of incidental or consequential damages, so the above limitation and exclusion may not apply to you. This warranty gives you specific legal rights, and you may also have other rights which vary from state to state. This warranty does not extend to any products which have been subject to misuse, neglect, accident or improper installation. Any repairs or alterations outside of the Cushcraft factory will nullify this warranty.



48 PERIMETER ROAD, MANCHESTER, NH 03103

Tel: 603-627-7877 • Fax: 603-627-1764

e-mail: sales@cushcraft.com • website: www.cushcraft.com



S5153BH S5703BH

5150-5350 / 5725-5875 MHz
Ceiling Mount Antennas

SAFETY

The antenna has been designed to attach to and hang from standard ceiling panel runners. To prevent personal injury or equipment damage, the antenna must be securely mounted per instructions.

LOCATION

The location of the antenna is important. Objects such as metal columns, walls, etc. will reduce efficiency. Best performance is achieved when transmit and receive antennas are mounted at the same height and in a direct line of sight with no obstructions. If this is not possible and reception is poor, it's a good idea to try a few different mounting positions to optimize reception.

MOUNTING

This antenna is suitable for use indoors or outdoors. The antenna bracket fits ceiling support runners 13/16" to 1-1/4" (2.1cm to 3.2 cm) wide. To install, loosen the 1/4-20 hex nut and position antenna mount over support runner (Figure 1). Squeeze bracket firmly onto runner (hand pressure is adequate) and tighten hex nut securely. Carefully screw antenna onto the 1/4-20 screw (lightly hand tighten). Secure coaxial cable along support runner using tape or cable ties. If another mount is used, limit the depth it is threaded into this hole to .35 inches (.9 cm). For outdoor mounting, install antenna with threaded hole down.

Figure 1

