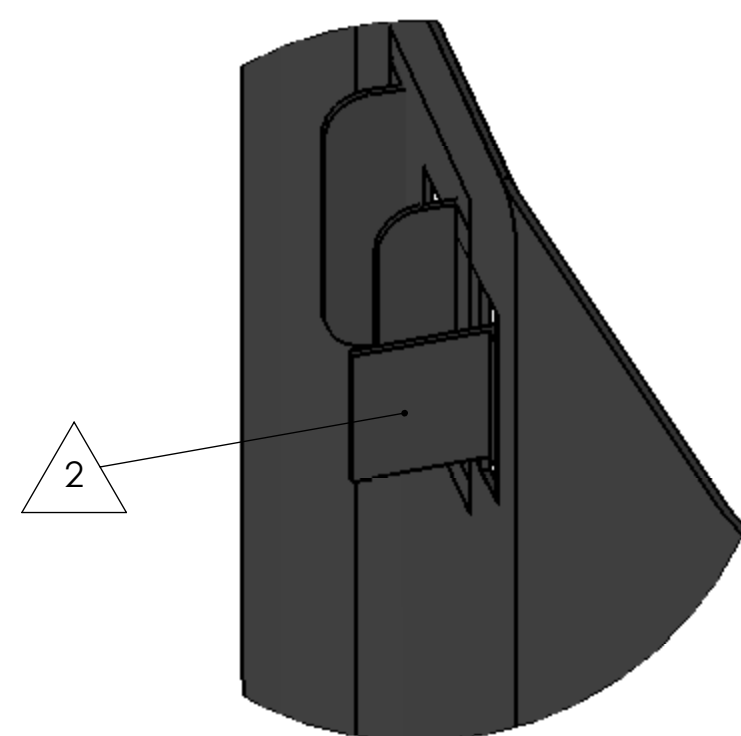
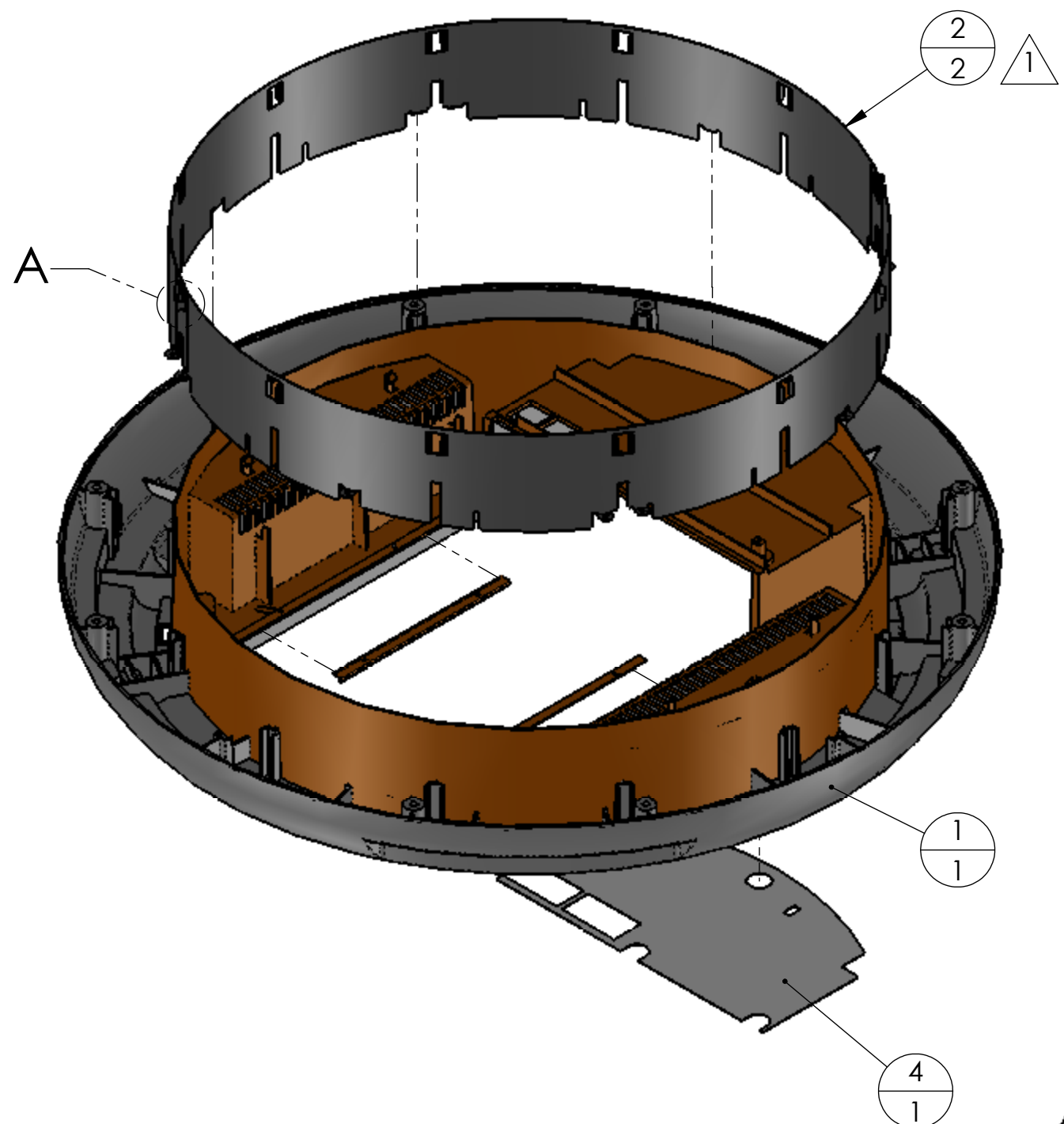


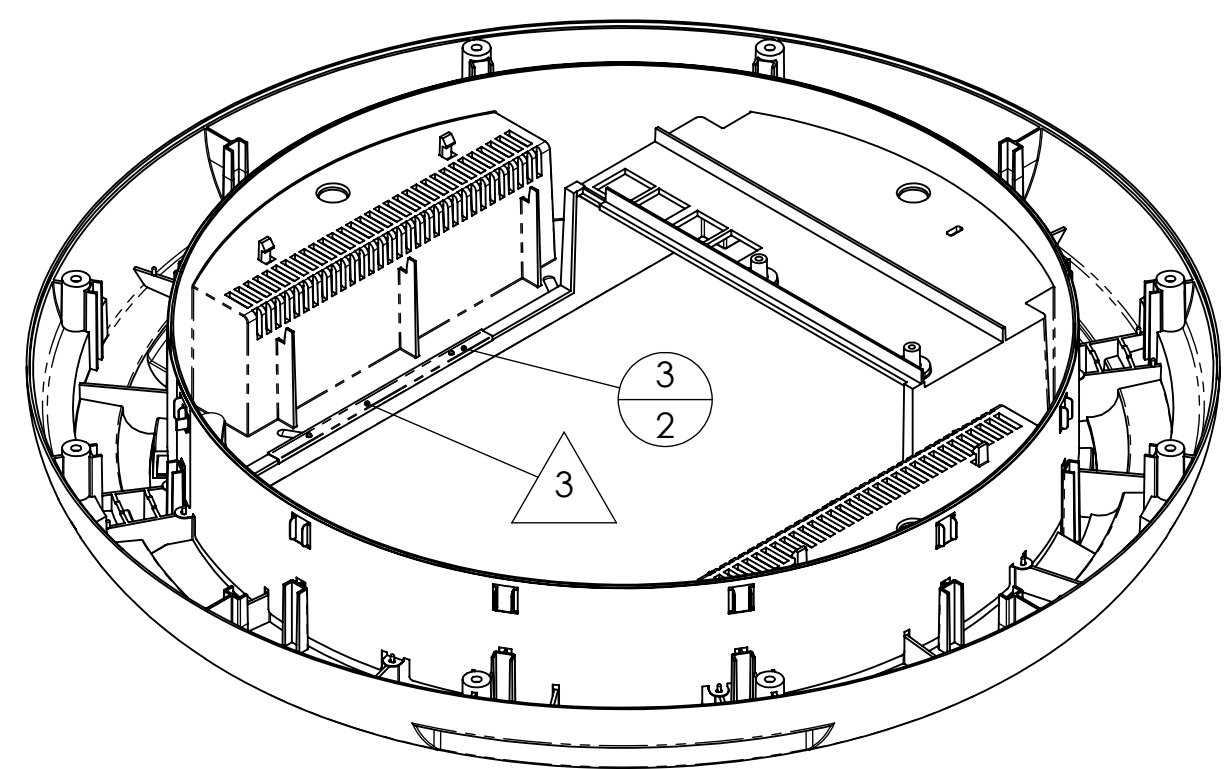
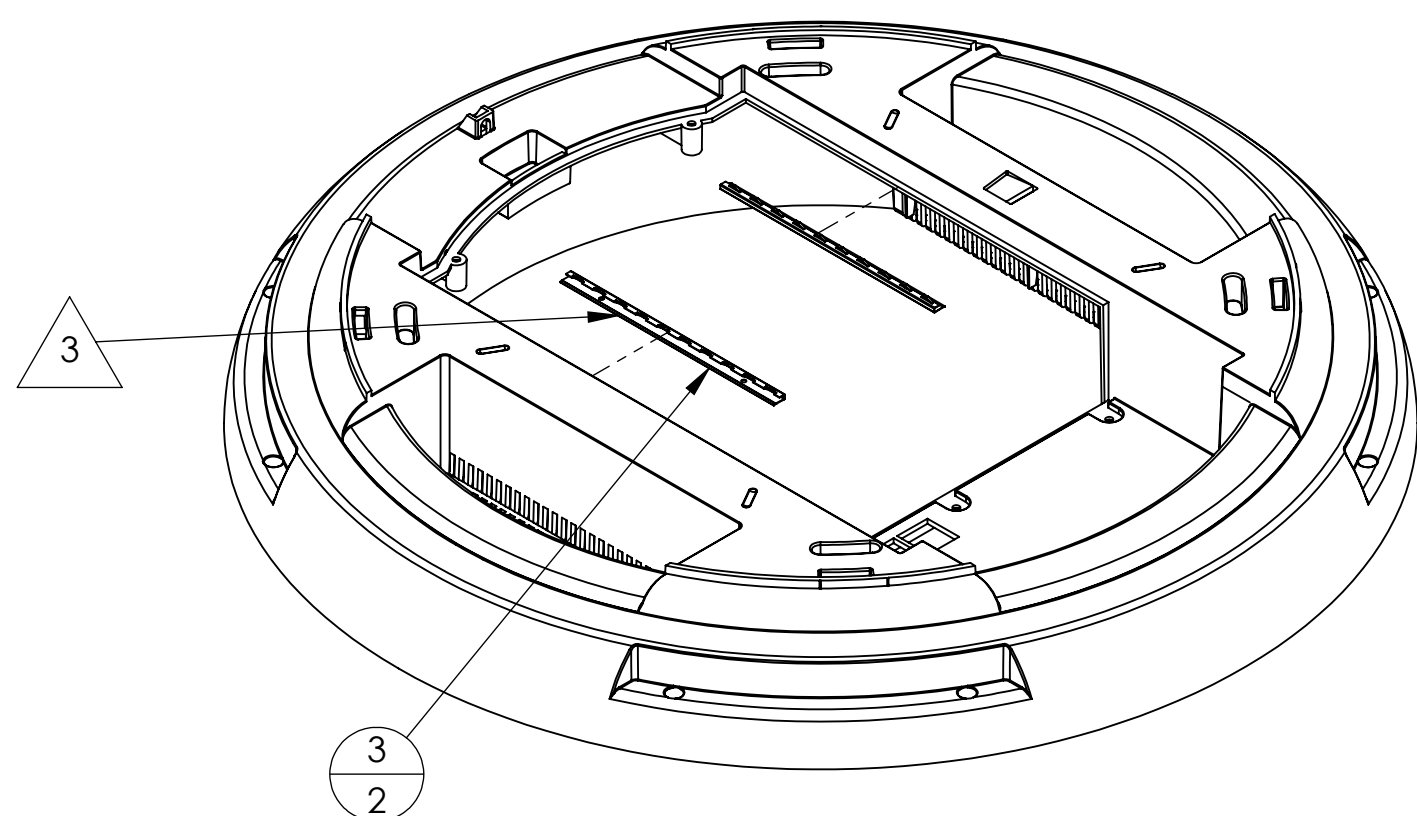
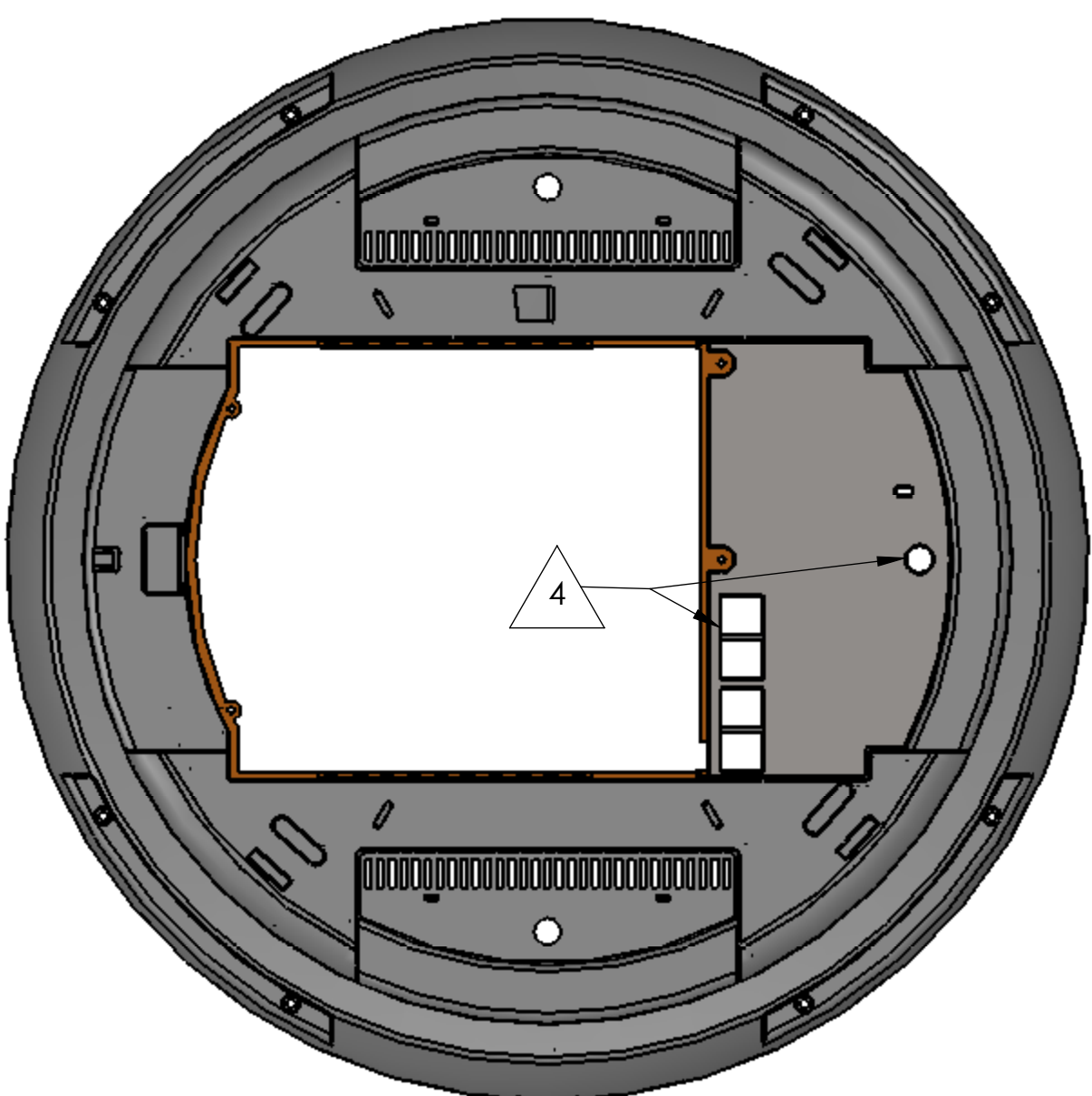
NOTES:

- 1 INDICATED COMPONENTS TO BE FULLY SEATED PRIOR TO / POST HEAT STAKING. HEAT STAKE NOTED COMPONENTS PER MFG STD.
- 2 INSERT RETAINING TABS IN SLOTS AND BEND FLAT TO JOIN REFLECTOR RING HALVES.
- 3 SLIDE PART NO. 230-0027-001 ONTO PLASTIC LEDGE ALINGING 2 HOLES IN PART ONTO 2 PLASTIC PINS (2 PL).
- 4 ENSURE LABEL IS POSITIONED EQUALLY AROUND ALL THE CONNECTOR OPENINGS ON THE ENCLOSURE PLASTIC.
- 5. SPLIT BALLOONS CONTAIN ITEM NUMBER IN THE TOP PORTION AND QUANTITY IN THE BOTTOM PORTION.

REVISIONS					
ZONE	REV.	DESCRIPTION	DATE	BY	APPROVED
	A	INITIAL PRODUCTION RELEASE	9/14/07	I. LAITY	I. LAITY



DETAIL A
SCALE 4:1



ITEM NO.	PART NO.	DESCRIPTION	QTY
1	220-0002-001	ENCLOSURE, TOP	1
2	230-0080-001	RING, REFLECTOR, ANT, 11N, LARGE ARRAY	2
3	230-0027-001	GASKET, EMI, SPRING FINGERS	2
4	830-0145-002	LABEL, PRODUCT, XN8	1

UNLESS OTHERWISE SPECIFIED:
 DIMENSIONS ARE IN INCHES
 TOLERANCES:
 FRACTIONAL: 1/4"
 ANGULAR: MACH ± 1/4"
 BEND ± 1/4"
 TWO PLACE DECIMAL: ± .015
 THREE PLACE DECIMAL: ± .005
 INTERPRET GEOMETRIC TOLERANCING PER ASME Y14.5M

NAME: I. LAITY
 DATE: 9/14/2007
 DRAWN: I. LAITY
 CHECKED: I. LAITY
 ENG APPR.:
 MFG APPR.:
 Q.A.:
 COMMENTS:

XIRRUS 370 North Westlake Blvd, Suite 200
 Westlake Village, California 91362

TITLE: SUB-ASSY, MECH, ENCLOSURE, TOP, W/PROD LABEL, XN8

SIZE DWG. NO. REV
C 125-0085-002 **A**
 PART NO. 120-0085-002

SCALE: 1:3 SHEET 1 OF 1

PROPRIETARY AND CONFIDENTIAL
 THE INFORMATION CONTAINED IN THIS DRAWING IS THE SOLE PROPERTY OF XIRRUS. ANY REPRODUCTION IN PART OR AS A WHOLE WITHOUT THE WRITTEN PERMISSION OF XIRRUS IS PROHIBITED.

DO NOT SCALE DRAWING