



SPORTON International Inc.

No. 52, Hwa Ya 1st Rd., Hwa Ya Technology Park, Kwei-Shan Hsiang, Tao Yuan Hsien, Taiwan, R.O.C.
Ph: 886-3-327-3456 / FAX: 886-3-327-0973 / www.sporton.com.tw

FCC RADIO TEST REPORT

Applicant's company	Xirrus, Inc.
Applicant Address	2101 Corporate Center Drive, Thousand Oaks, CA 91320 USA
FCC ID	SK6-XD240B
Manufacturer's company	Life-On Network Communication (Dongguan) Limited
Manufacturer Address	30#Keji Rd., Yin Hu Industrial Area, Qingxi Town, DongGuan City, Guangdong, China

Product Name	Wireless Access Point
Brand Name	XIRRUS
Model Name	XD4240
Test Rule	47 CFR FCC Part 15 Subpart C § 15.247
Test Freq. Range	2402 ~ 2480MHz
Received Date	Mar. 09, 2016
Final Test Date	Mar. 30, 2016
Submission Type	Original Equipment

Statement

Test result included is only for the Bluetooth LE of the product.

The test result in this report refers exclusively to the presented test model / sample.

Without written approval of SPORTON International Inc., the test report shall not be reproduced except in full.

The measurements and test results shown in this test report were made in accordance with the procedures and found in compliance with the limit given in **ANSI C63.10-2013, 47 CFR FCC Part 15 Subpart C** and **KDB558074 D01 v03r04**.

The test equipment used to perform the test is calibrated and traceable to NML/ROC.



Table of Contents

1. VERIFICATION OF COMPLIANCE	1
2. SUMMARY OF THE TEST RESULT	2
3. GENERAL INFORMATION	3
3.1. Product Details.....	3
3.2. Accessories.....	3
3.3. Table for Filed Antenna.....	3
3.4. Table for Carrier Frequencies	3
3.5. Table for Test Modes.....	4
3.6. Table for Testing Locations.....	5
3.7. Table for Supporting Units	6
3.8. Table for Parameters of Test Software Setting	6
3.9. EUT Operation during Test	6
3.10. Duty Cycle.....	6
3.11. Test Configurations	7
4. TEST RESULT	9
4.1. AC Power Line Conducted Emissions Measurement.....	9
4.2. Maximum Conducted Output Power Measurement.....	13
4.3. Power Spectral Density Measurement	15
4.4. 6dB Spectrum Bandwidth Measurement	19
4.5. Radiated Emissions Measurement	23
4.6. Emissions Measurement	32
4.7. Antenna Requirements	38
5. LIST OF MEASURING EQUIPMENTS	39
6. MEASUREMENT UNCERTAINTY	40
APPENDIX A. TEST PHOTOS	A1 ~ A5
APPENDIX B. RADIATED EMISSION CO-LOCATION REPORT	B1 ~ B3



History of This Test Report

REPORT NO.	VERSION	DESCRIPTION	ISSUED DATE
FR5D1826-02AB	Rev. 01	Initial issue of report	Apr. 12, 2016



1. VERIFICATION OF COMPLIANCE

Project No: CB10503277

Product Name : Wireless Access Point
Brand Name : XIRRUS
Model No. : XD4240
Applicant : Xirrus, Inc.
Test Rule Part(s) : 47 CFR FCC Part 15 Subpart C § 15.247

Sporton International as requested by the applicant to evaluate the EMC performance of the product sample received on Mar. 09, 2016 would like to declare that the tested sample has been evaluated and found to be in compliance with the tested rule parts. The data recorded as well as the test configuration specified is true and accurate for showing the sample's EMC nature.

A handwritten signature in blue ink that reads 'Sam Chen'. The signature is written in a cursive style with a horizontal line underneath the name.

Sam Chen

SPORTON INTERNATIONAL INC.

2. SUMMARY OF THE TEST RESULT

Applied Standard: 47 CFR FCC Part 15 Subpart C				
Part	Rule Section	Description of Test	Result	Under Limit
4.1	15.207	AC Power Line Conducted Emissions	Complies	8.37 dB
4.2	15.247(b)(3)	Maximum Conducted Output Power	Complies	19.92 dB
4.3	15.247(e)	Power Spectral Density	Complies	18.86 dB
4.4	15.247(a)(2)	6dB Spectrum Bandwidth	Complies	-
4.5	15.247(d)	Radiated Emissions	Complies	3.28 dB
4.6	15.247(d)	Band Edge Emissions	Complies	4.64 dB
4.7	15.203	Antenna Requirements	Complies	-

Note: This device contains transmitter module FCC ID: SK6-XDR240.

3. GENERAL INFORMATION

3.1. Product Details

Items	Description
Power Type	From PoE
Modulation	DSSS
Data Rate (Mbps)	GFSK: 1
Frequency Range	2402 ~ 2480MHz
Channel Number	40 (37 hopping + 3 advertising channel)
Channel Band Width (99%)	1.05 MHz
Maximum Conducted Output Power	10.08 dBm
Carrier Frequencies	Please refer to section 3.4
Antenna	Please refer to section 3.3

3.2. Accessories

Others
Pedestal*1

3.3. Table for Filed Antenna

Ant.	Brand	Model Name	Antenna Type	Connector	Gain (dBi)
1	HL	290-10269	PIFA Antenna	I-PEX	2.3

3.4. Table for Carrier Frequencies

Frequency Band	Channel No.	Frequency	Channel No.	Frequency
2400~2483.5MHz	0	2402 MHz	20	2442 MHz
	1	2404 MHz	:	:
	2	2406 MHz	37	2476 MHz
	:	:	38	2478 MHz
	18	2438 MHz	39	2480 MHz
	19	2440 MHz	-	-

3.5. Table for Test Modes

Preliminary tests were performed in different data rate to find the worst radiated emission. The data rate shown in the table below is the worst-case rate with respect to the specific test item. Investigation has been done on all the possible configurations for searching the worst cases. The following table is a list of the test modes shown in this test report.

Test Items	Mode	Data Rate	Channel	Ant.
AC Power Line Conducted Emissions	CTX	-	-	-
Maximum Conducted Output Power Power Spectral Density	GFSK	1 Mbps	0/20/39	1
6dB Spectrum Bandwidth	GFSK	1 Mbps	0/20/39	1
Radiated Emissions 9kHz~1GHz	CTX	-	-	-
Radiated Emissions 1GHz~10 th Harmonic	GFSK	1 Mbps	0/20/39	1
Band Edge Emissions	GFSK	1 Mbps	0/20/39	1

The following test modes were performed for all tests:

For Conducted Emission test:

Mode 1. EUT - CTX

For Radiated Emission test <Below 1GHz>:

Mode 1. EUT X axis - CTX

Mode 2. EUT Y axis - CTX

Mode 3. EUT Z axis - CTX

Mode 2 is the worst case, so it was selected to record in this test report

For Radiated Emission test <Above 1GHz>:

The EUT was performed at X axis, Y axis and Z axis position for Radiated emission above 1GHz test, and the worst case was found at Y axis. So the measurement will follow this same test configuration.

Mode 1. EUT Y axis – CTX

For Radiated Emission Co-location test:

Mode 1. EUT Z axis 2.4GHz / 5GHz WLAN function + Bluetooth function

Mode 2. EUT Y axis 2.4GHz / 5GHz WLAN function + Bluetooth function

Mode 1 is the worst case, so it was selected to record in this test report.

For Co-location MPE and Radiated Emission Co-location Test:

The EUT could be applied with 2.4GHz / 5GHz WLAN function and Bluetooth function; therefore Co-location Maximum Permissible Exposure (Please refer to FA5D1826-02) and Radiated Emission Co-location (please refer to Appendix B) tests are added for simultaneously transmit between 2.4GHz / 5GHz WLAN function and Bluetooth function.

Note: The PoE is for measurement only, would not be marketed.

Support Unit	Brand	Model	FCC ID
PoE	Microsemi	PD-9501-10G	N/A

3.6. Table for Testing Locations

Test Site Location				
Address:	No.8, Lane 724, Bo-ai St., Jhubei City, Hsinchu County 302, Taiwan, R.O.C.			
TEL:	886-3-656-9065			
FAX:	886-3-656-9085			
Test Site No.	Site Category	Location	FCC Designation No.	IC File No.
03CH01-CB	SAC	Hsin Chu	TW0006	IC 4086D
CO02-CB	Conduction	Hsin Chu	TW0006	IC 4086D
TH01-CB	OVEN Room	Hsin Chu	-	-

Open Area Test Site (OATS); Semi Anechoic Chamber (SAC).

3.7. Table for Supporting Units

For Test Site No: 03CH01-CB

Support Unit	Brand	Model	FCC ID
Notebook	DELL	E4300	DoC
Test fixture	Lite-On	USB to RS232 Board	N/A
PoE	Microsemi	PD-9501-10G	N/A

For Test Site No: CO01-CB

Support Unit	Brand	Model	FCC ID
Notebook*2	DELL	E6430	DoC
PoE	Microsemi	PD-9501-10G	N/A
Earphone	e-Power	S90W	N/A
Mouse	Logitech	M-U0026	DoC
Test fixture	Lite-On	USB to RS232 Board	N/A

For Test Site No: TH01-CB

Support Unit	Brand	Model	FCC ID
Notebook	DELL	E4300	DoC
PoE	Microsemi	PD-9501-10G	N/A
Test fixture	Lite-On	USB to RS232 Board	N/A

3.8. Table for Parameters of Test Software Setting

During testing, Channel and Power Controlling Software provided by the customer was used to control the operating channel as well as the output power level. The RF output power selection is for the setting of RF output power expected by the customer and is going to be fixed on the firmware of the final end product.

Power Parameters:

Test Software Version	Bluetooth1.8.7.2		
Frequency	2402 MHz	2442 MHz	2480 MHz
Power Parameters	Default	Default	Default

3.9. EUT Operation during Test

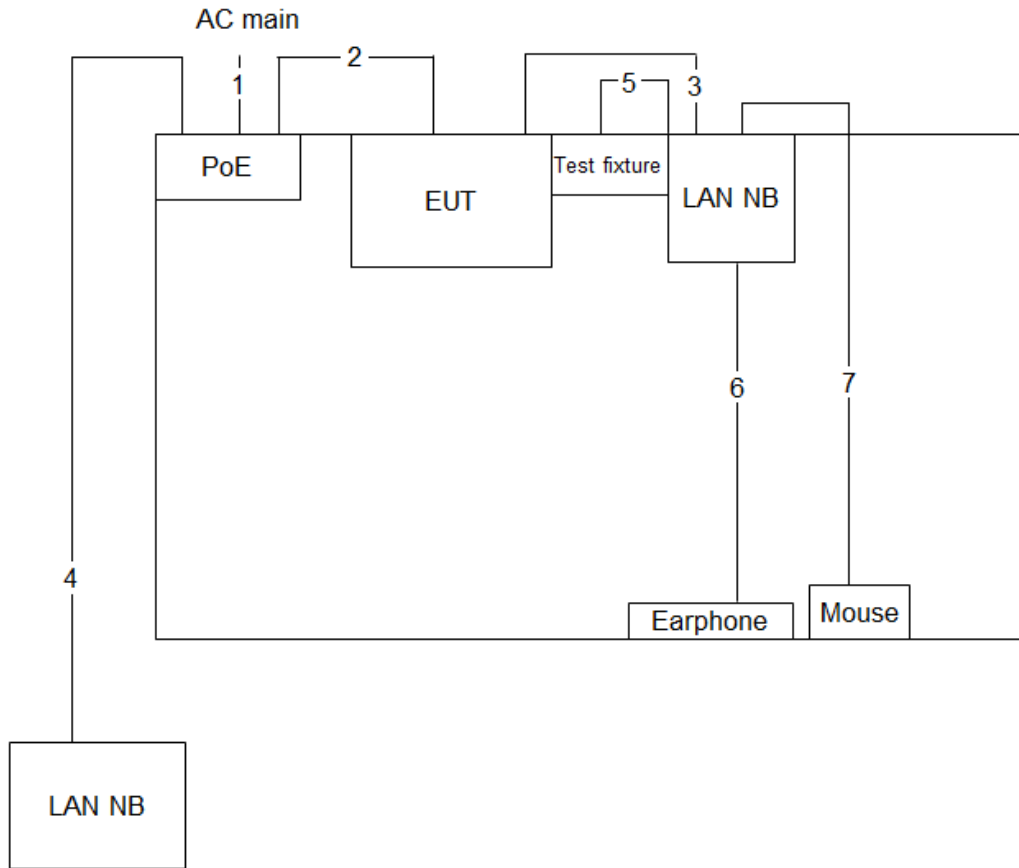
The EUT was programmed to be in continuously transmitting mode.

3.10. Duty Cycle

Mode	On Time (ms)	On+Off Time (ms)	Duty Cycle (%)	Duty Factor (dB)	1/T Minimum VBW (kHz)
GFSK	0.620	0.793	78.08%	1.07	1.61

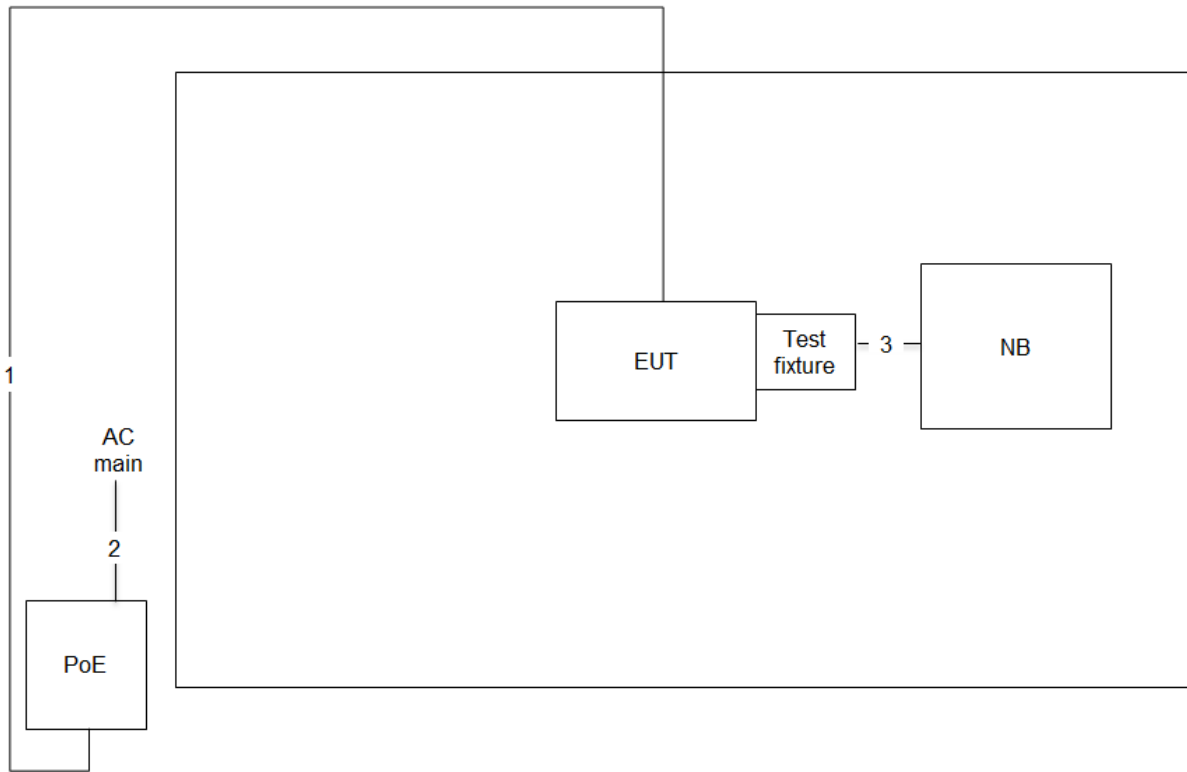
3.11. Test Configurations

3.11.1. AC Power Line Conduction Emissions Test Configuration



Item	Connection	Shielded	Length
1	Power cable	No	1.5m
2	RJ-45 cable	No	1.5m
3	RJ-45 cable	No	1.5m
4	RJ-45 cable	No	10m
5	Micro USB cable	Yes	1.5m
6	USB cable	Yes	1.8m
7	Audio cable	No	1.4m

3.11.2. Radiation Emissions Test Configuration



Item	Connection	Shielded	Length
1	RJ-45 cable	No	10
2	Power cable	No	1.5
3	USB cable	Yes	0.8

4. TEST RESULT

4.1. AC Power Line Conducted Emissions Measurement

4.1.1. Limit

For this product which is designed to be connected to the AC power line, the radio frequency voltage that is conducted back onto the AC power line on any frequency or frequencies within the band 150 kHz to 30 MHz shall not exceed below limits table.

Frequency (MHz)	QP Limit (dBuV)	AV Limit (dBuV)
0.15~0.5	66~56	56~46
0.5~5	56	46
5~30	60	50

4.1.2. Measuring Instruments and Setting

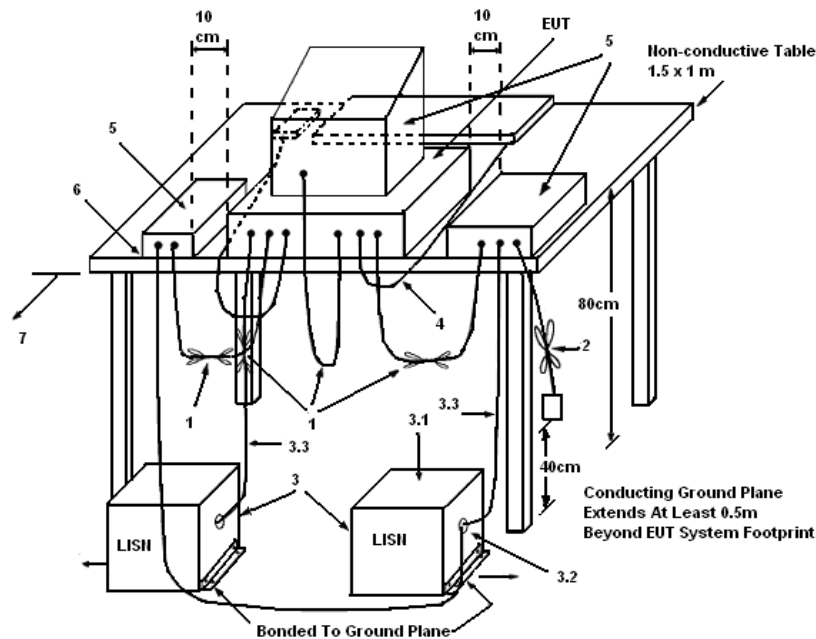
Please refer to section 5 of equipments list in this report. The following table is the setting of the receiver.

Receiver Parameters	Setting
Attenuation	10 dB
Start Frequency	0.15 MHz
Stop Frequency	30 MHz
IF Bandwidth	9 kHz

4.1.3. Test Procedures

1. Configure the EUT according to ANSI C63.10. The EUT or host of EUT has to be placed 0.4 meter far from the conducting wall of the shielding room and at least 80 centimeters from any other grounded conducting surface.
2. Connect EUT or host of EUT to the power mains through a line impedance stabilization network (LISN).
3. All the support units are connected to the other LISNs. The LISN should provide 50uH/50ohms coupling impedance.
4. The frequency range from 150 kHz to 30 MHz was searched.
5. Set the test-receiver system to Peak Detect Function and Specified Bandwidth with Maximum Hold Mode.
6. The measurement has to be done between each power line and ground at the power terminal.

4.1.4. Test Setup Layout



LEGEND:

- (1) Interconnecting cables that hang closer than 40 cm to the ground plane shall be folded back and forth in the center forming a bundle 30 to 40 cm long.
- (2) I/O cables that are not connected to a peripheral shall be bundled in the center. The end of the cable may be terminated, if required, using the correct terminating impedance. The overall length shall not exceed 1 m.
- (3) EUT connected to one LISN. Unused LISN measuring port connectors shall be terminated in 50 Ω. LISN can be placed on top of, or immediately beneath, reference ground plane.
 - (3.1) All other equipment powered from additional LISN(s).
 - (3.2) Multiple outlet strip can be used for multiple power cords of non-EUT equipment.
 - (3.3) LISN at least 80 cm from nearest part of EUT chassis.
- (4) Cables of hand-operated devices, such as keyboards, mice, etc., shall be placed as for normal use.
- (5) Non-EUT components of EUT system being tested.
- (6) Rear of EUT, including peripherals, shall all be aligned and flush with rear of tabletop.
- (7) Rear of tabletop shall be 40 cm removed from a vertical conducting plane that is bonded to the ground plane.

4.1.5. Test Deviation

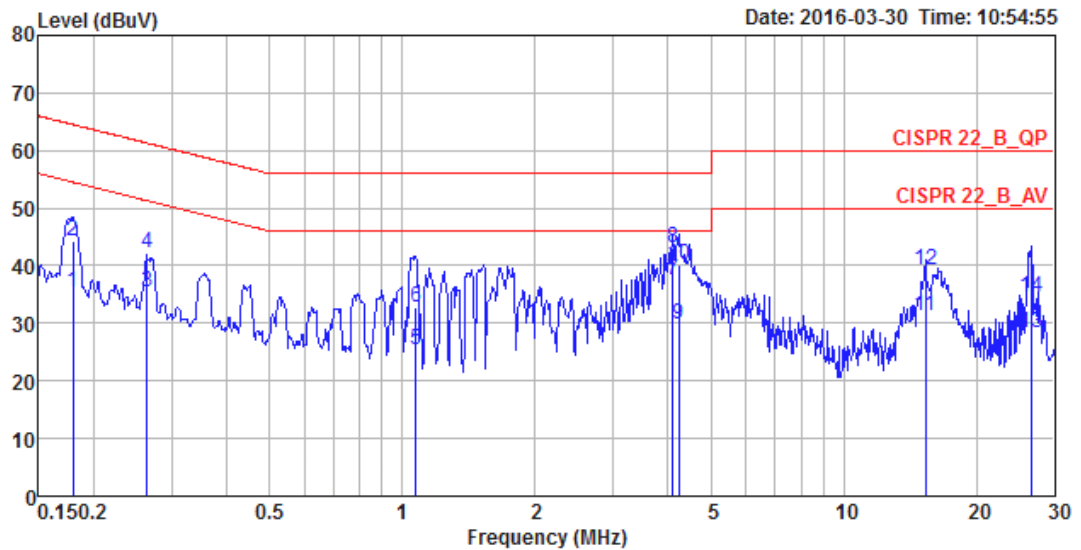
There is no deviation with the original standard.

4.1.6. EUT Operation during Test

The EUT was placed on the test table and programmed in normal function.

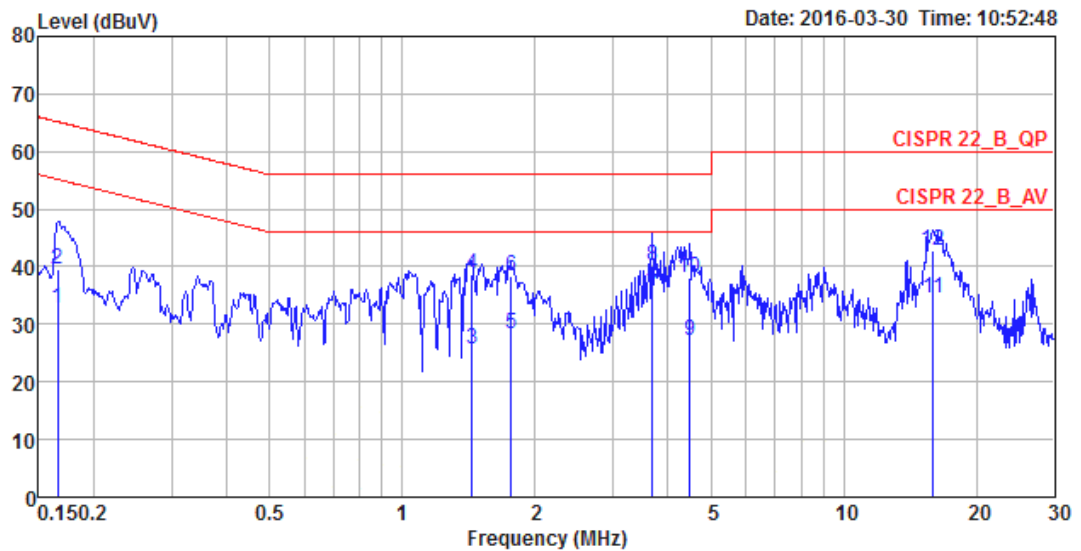
4.1.7. Results of AC Power Line Conducted Emissions Measurement

Temperature	22°C	Humidity	57%
Test Engineer	Kane Liu	Phase	Line
Configuration	CTX		



	Freq	Level	Over Limit	Limit Line	Read Level	LISN Factor	Remark	Cable Loss	Pol/Phase
	MHz	dBuV	dB	dBuV	dBuV	dB		dB	
1	0.1796	35.45	-19.05	54.50	25.32	9.95	Average	0.18	LINE
2	0.1796	44.40	-20.10	64.50	34.27	9.95	QP	0.18	LINE
3	0.2644	35.29	-16.00	51.29	25.13	9.97	Average	0.19	LINE
4	0.2644	42.17	-19.12	61.29	32.01	9.97	QP	0.19	LINE
5	1.0710	25.33	-20.67	46.00	15.09	10.05	Average	0.19	LINE
6	1.0710	32.70	-23.30	56.00	22.46	10.05	QP	0.19	LINE
7	4.0920	37.63	-8.37	46.00	27.19	10.11	Average	0.33	LINE
8	4.0920	43.14	-12.86	56.00	32.70	10.11	QP	0.33	LINE
9	4.2242	29.92	-16.08	46.00	19.48	10.11	Average	0.33	LINE
10	4.2242	40.08	-15.92	56.00	29.64	10.11	QP	0.33	LINE
11	15.3070	31.40	-18.60	50.00	20.73	10.23	Average	0.44	LINE
12	15.3070	39.12	-20.88	60.00	28.45	10.23	QP	0.44	LINE
13	26.5581	28.44	-21.56	50.00	17.57	10.33	Average	0.54	LINE
14	26.5581	34.41	-25.59	60.00	23.54	10.33	QP	0.54	LINE

Temperature	22°C	Humidity	57%
Test Engineer	Kane Liu	Phase	Neutral
Configuration	CTX		



	Freq	Level	Over Limit	Limit Line	Read Level	LISN Factor	Remark	Cable Loss	Pol/Phase
	MHz	dBuV	dB	dBuV	dBuV	dB		dB	
1	0.1659	32.85	-22.31	55.16	22.73	9.96	Average	0.16	NEUTRAL
2	0.1659	39.42	-25.74	65.16	29.30	9.96	QP	0.16	NEUTRAL
3	1.4409	25.72	-20.28	46.00	15.52	9.98	Average	0.22	NEUTRAL
4	1.4409	38.55	-17.45	56.00	28.35	9.98	QP	0.22	NEUTRAL
5	1.7623	28.25	-17.75	46.00	18.02	9.99	Average	0.24	NEUTRAL
6	1.7623	38.39	-17.61	56.00	28.16	9.99	QP	0.24	NEUTRAL
7	3.6806	35.09	-10.91	46.00	24.75	10.02	Average	0.32	NEUTRAL
8	3.6806	40.07	-15.93	56.00	29.73	10.02	QP	0.32	NEUTRAL
9	4.4777	27.01	-18.99	46.00	16.64	10.04	Average	0.33	NEUTRAL
10	4.4777	38.22	-17.78	56.00	27.85	10.04	QP	0.33	NEUTRAL
11	15.9698	34.54	-15.46	50.00	23.85	10.24	Average	0.45	NEUTRAL
12	15.9698	42.78	-17.22	60.00	32.09	10.24	QP	0.45	NEUTRAL

Note: Level = Read Level + LISN Factor + Cable Loss.

4.2. Maximum Conducted Output Power Measurement

4.2.1. Limit

The limit for output power is 30dBm.

4.2.2. Measuring Instruments and Setting

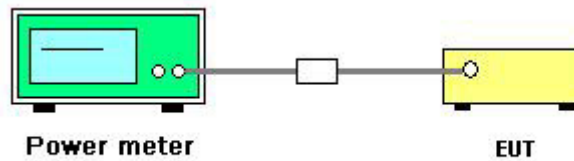
Please refer to section 5 of equipments list in this report. The following table is the setting of the power meter.

Power Meter Parameter	Setting
Bandwidth	50MHz bandwidth is greater than the EUT emission bandwidth
Detector	Average

4.2.3. Test Procedures

1. Test procedures refer KDB558074 D01 v03r04 section 9.2.3.2.
2. This procedure provides an alternative for determining the RMS output power using a broadband RF average power meter with a thermocouple detector.

4.2.4. Test Setup Layout



4.2.5. Test Deviation

There is no deviation with the original standard.

4.2.6. EUT Operation during Test

The EUT was programmed to be in continuously transmitting mode.

4.2.7. Test Result of Maximum Conducted Output Power

Temperature	25°C	Humidity	59%
Test Engineer	Peter Wu	Configurations	GFSK
Test Date	Mar. 14, 2016 ~ Mar. 23, 2016		

Channel	Frequency	Conducted Power (dBm)	Max. Limit (dBm)	Result
0	2402 MHz	9.02	30.00	Complies
20	2442 MHz	9.93	30.00	Complies
39	2480 MHz	10.08	30.00	Complies

4.3. Power Spectral Density Measurement

4.3.1. Limit

For digitally modulated systems, the power spectral density conducted from the intentional radiator to the antenna shall not be greater than 8 dBm in any 3 kHz band during any time interval of continuous transmission.

4.3.2. Measuring Instruments and Setting

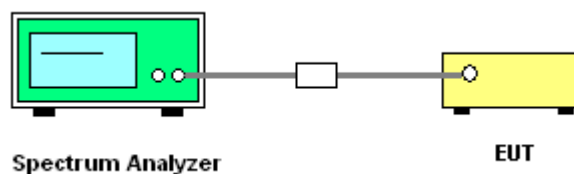
Please refer to section 5 of equipments list in this report. The following table is the setting of the spectrum analyzer.

Spectrum Parameter	Setting
Attenuation	Auto
Span Frequency	5-30 % greater than the DTS channel bandwidth.
RBW	$3 \text{ kHz} \leq \text{RBW} \leq 100\text{kHz}$
VBW	$\geq 3 \times \text{RBW}$
Detector	Peak
Trace	Max Hold
Sweep Time	Auto couple

4.3.3. Test Procedures

1. Test was performed in accordance with KDB558074 D01 v03r04 for Performing Compliance Measurements on Digital Transmission Systems (DTS) - section 10.2 Method PKPSD (peak PSD).
2. Use this procedure when the maximum conducted output power in the fundamental emission is used to demonstrate compliance. The EUT must be configured to transmit continuously at full power over the measurement duration.
3. Ensure that the number of measurement points in the sweep $\geq 2 \times \text{span/RBW}$ (use of a greater number of measurement points than this minimum requirement is recommended).
4. Use the peak marker function to determine the maximum level in any 3 kHz band segment within the fundamental EBW.
5. The resulting PSD level must be $\leq 8 \text{ dBm}$.

4.3.4. Test Setup Layout



4.3.5. Test Deviation

There is no deviation with the original standard.

4.3.6. EUT Operation during Test

The EUT was programmed to be in continuously transmitting mode.

4.3.7. Test Result of Power Spectral Density

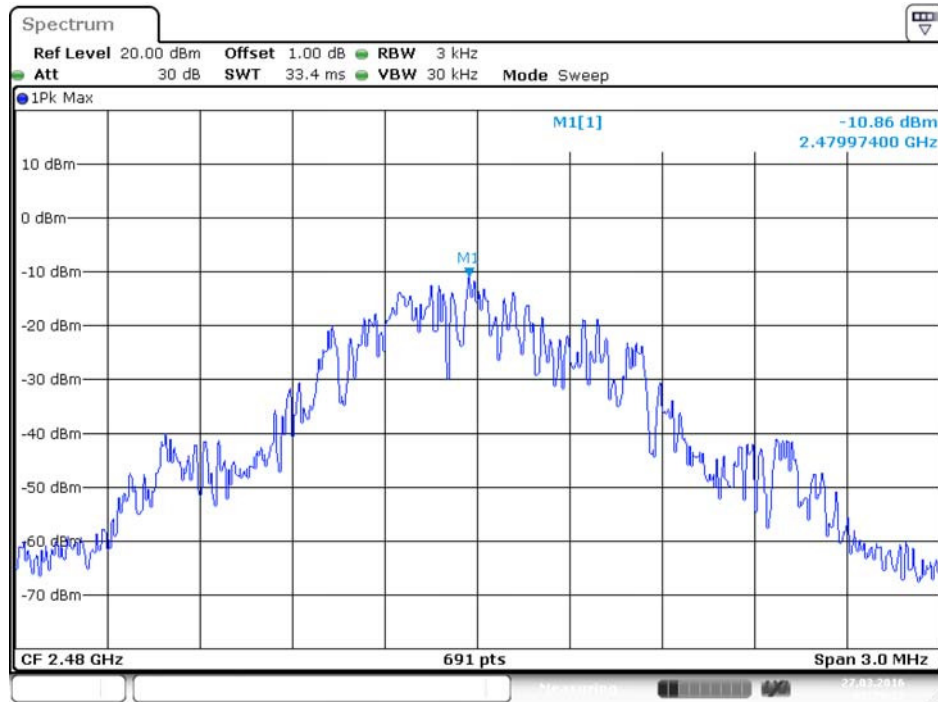
Temperature	25°C	Humidity	59%
Test Engineer	Peter Wu	Configurations	GFSK

Channel	Frequency	Power Density (dBm/3kHz)	Power Density Limit (dBm/3kHz)	Result
0	2402 MHz	-11.38	8.00	Complies
20	2442 MHz	-10.98	8.00	Complies
39	2480 MHz	-10.86	8.00	Complies

Note: All the test values were listed in the report.

For plots, only the channel with worse result was shown.

Power Density Plot on Configuration Bluetooth / 2480 MHz



Date: 27.MAR.2016 01:29:17

4.4. 6dB Spectrum Bandwidth Measurement

4.4.1. Limit

For digital modulation systems, the minimum 6dB bandwidth shall be at least 500 kHz.

4.4.2. Measuring Instruments and Setting

Please refer to section 5 of equipments list in this report. The following table is the setting of the spectrum analyzer.

6dB Spectrum Bandwidth	
Spectrum Parameters	Setting
Attenuation	Auto
Span Frequency	> 6dB Bandwidth
RBW	100kHz
VBW	$\geq 3 \times \text{RBW}$
Detector	Peak
Trace	Max Hold
Sweep Time	Auto
99% Occupied Bandwidth	
Spectrum Parameters	Setting
Span	1.5 times to 5.0 times the OBW
RBW	1 % to 5 % of the OBW
VBW	$\geq 3 \times \text{RBW}$
Detector	Peak
Trace	Max Hold

4.4.3. Test Procedures

For Radiated 6dB Bandwidth Measurement:

1. The transmitter was radiated to the spectrum analyzer in peak hold mode.
2. Test was performed in accordance with KDB558074 D01 v03r04 for Performing Compliance Measurements on Digital Transmission Systems (DTS) - section 8.0 DTS bandwidth = > 8.1 Option 1.
3. Measured the spectrum width with power higher than 6dB below carrier.

4.4.4. Test Setup Layout

For Radiated 6dB Bandwidth Measurement:

This test setup layout is the same as that shown in section 4.5.4.

4.4.5. Test Deviation

There is no deviation with the original standard.

4.4.6. EUT Operation during Test

The EUT was programmed to be in continuously transmitting mode.

4.4.7. Test Result of 6dB Spectrum Bandwidth

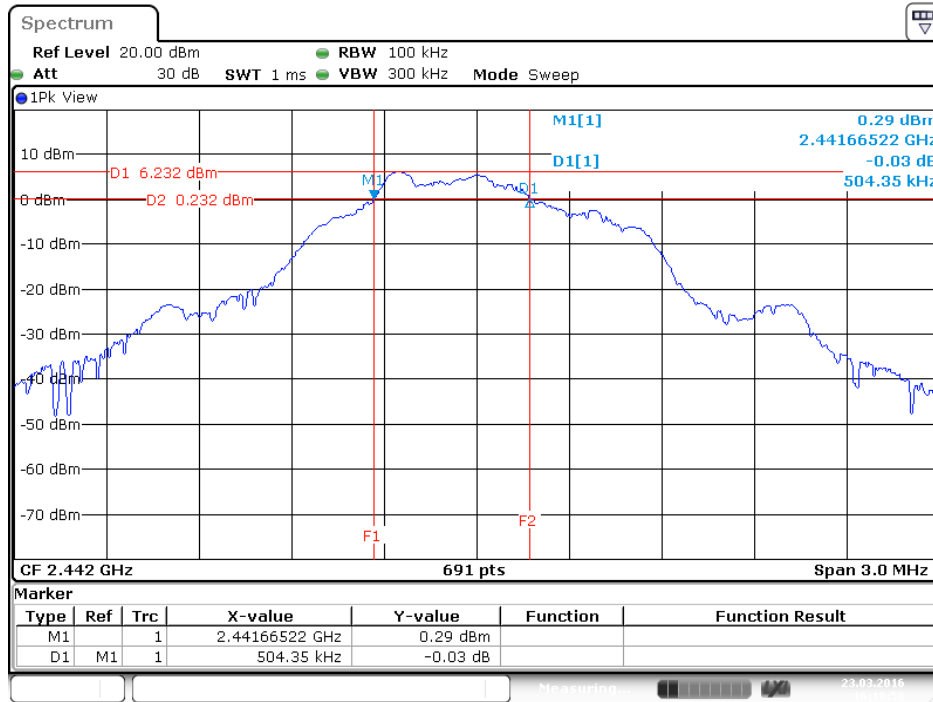
Temperature	25°C	Humidity	59%
Test Engineer	Peter Wu	Configurations	GFSK

Channel	Frequency	6dB Bandwidth (MHz)	99% Occupied Bandwidth (MHz)	Min. Limit (kHz)	Test Result
0	2402 MHz	0.51	1.05	500	Complies
20	2442 MHz	0.50	1.05	500	Complies
39	2480 MHz	0.51	1.05	500	Complies

Note: All the test values were listed in the report.

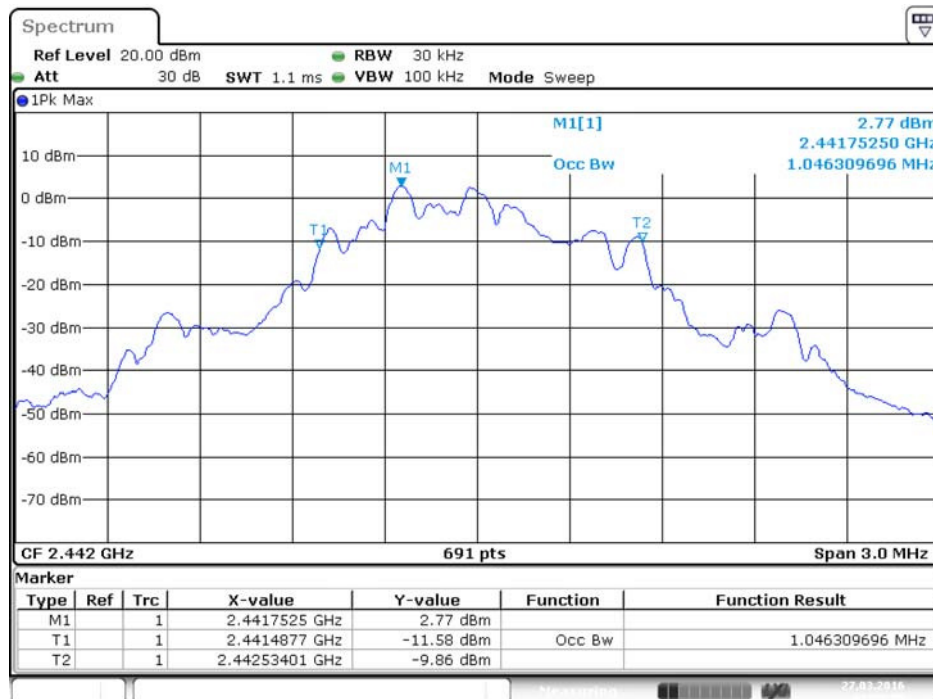
For plots, only the channel with worse result was shown.

6 dB Bandwidth Plot on Configuration Bluetooth / 2442 MHz



Date: 23 MAR 2016 16:18:58

99% Occupied Bandwidth Plot on Configuration Bluetooth / 2442 MHz



Date: 27.MAR.2016 01:25:57

4.5. Radiated Emissions Measurement

4.5.1. Limit

30dBc in any 100 kHz bandwidth outside the operating frequency band. In case the emission fall within the restricted band specified on 15.205(a), then the 15.209(a) limit in the table below has to be followed.

Frequencies (MHz)	Field Strength (micorvolts/meter)	Measurement Distance (meters)
0.009~0.490	2400/F(kHz)	300
0.490~1.705	24000/F(kHz)	30
1.705~30.0	30	30
30~88	100	3
88~216	150	3
216~960	200	3
Above 960	500	3

4.5.2. Measuring Instruments and Setting

Please refer to section 5 of equipments list in this report. The following table is the setting of spectrum analyzer and receiver.

Spectrum Parameter	Setting
Attenuation	Auto
Start Frequency	1000 MHz
Stop Frequency	10th carrier harmonic
RBW / VBW (Emission in restricted band)	1 MHz / 3MHz for Peak, 1 MHz / 1/T for Average
RBW / VBW (Emission in non-restricted band)	100kHz / 300kHz for peak

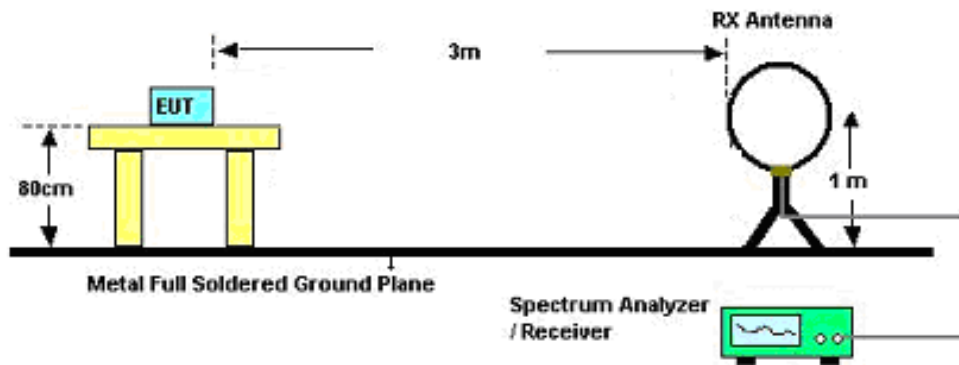
Receiver Parameter	Setting
Attenuation	Auto
Start ~ Stop Frequency	9kHz~150kHz / RBW 200Hz for QP
Start ~ Stop Frequency	150kHz~30MHz / RBW 9kHz for QP
Start ~ Stop Frequency	30MHz~1000MHz / RBW 120kHz for QP

4.5.3. Test Procedures

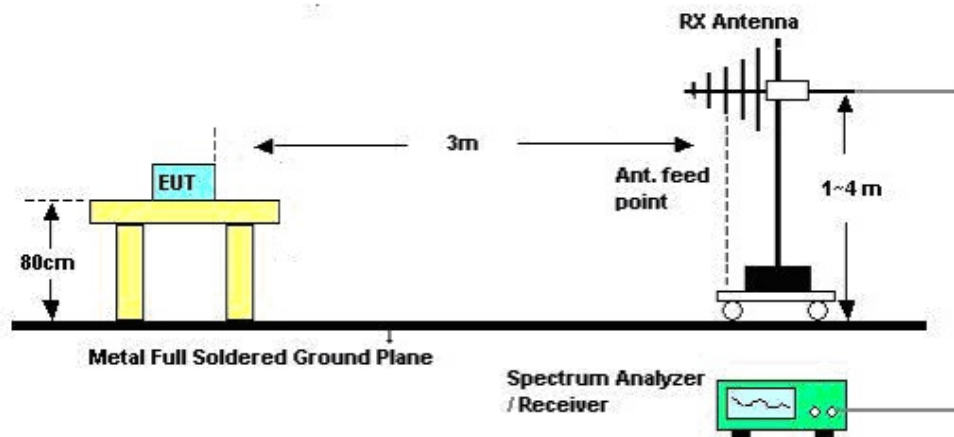
1. Configure the EUT according to ANSI C63.10. The EUT was placed on the top of the turntable 1.5 meter above ground. The phase center of the receiving antenna mounted on the top of a height-variable antenna tower was placed 1m & 3m far away from the turntable.
2. Power on the EUT and all the supporting units. The turntable was rotated by 360 degrees to determine the position of the highest radiation.
3. The height of the broadband receiving antenna was varied between one meter and four meters above ground to find the maximum emissions field strength of both horizontal and vertical polarization.
4. For each suspected emissions, the antenna tower was scan (from 1 M to 4 M) and then the turntable was rotated (from 0 degree to 360 degrees) to find the maximum reading.
5. Set the test-receiver system to Peak or CISPR quasi-peak Detect Function with specified bandwidth under Maximum Hold Mode.
6. For emissions above 1GHz, use 1MHz VBW and 3MHz RBW for peak reading. Then 1MHz RBW and 1/T VBW for average reading in spectrum analyzer.
7. If the emissions level of the EUT in peak mode was 3 dB lower than the average limit specified, then testing will be stopped and peak values of EUT will be reported, otherwise, the emissions which do not have 3 dB margin will be repeated one by one using the quasi-peak method for below 1GHz.
8. For testing above 1GHz, the emissions level of the EUT in peak mode was lower than average limit (that means the emissions level in peak mode also complies with the limit in average mode), then testing will be stopped and peak values of EUT will be reported, otherwise, the emissions will be measured in average mode again and reported.
9. In case the emission is lower than 30MHz, loop antenna has to be used for measurement and the recorded data should be QP measured by receiver. High – Low scan is not required in this case.

4.5.4. Test Setup Layout

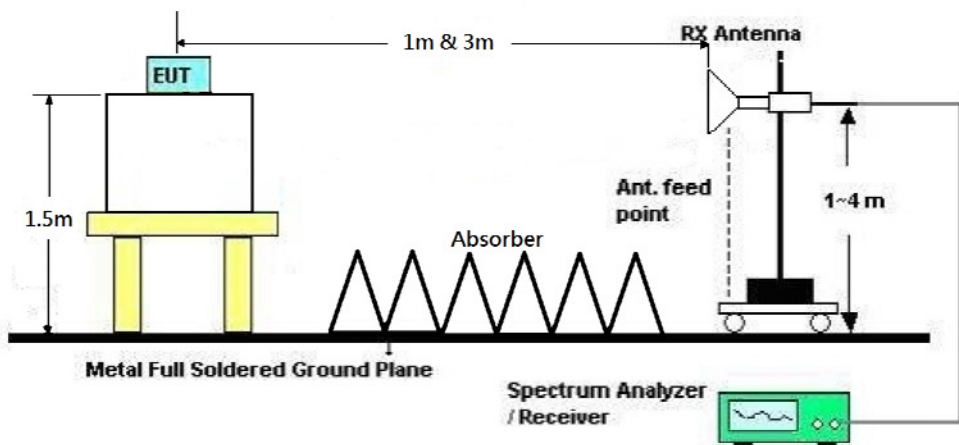
For Radiated Emissions: 9kHz ~30MHz



For Radiated Emissions: 30MHz~1GHz



For Radiated Emissions: Above 1GHz



4.5.5. Test Deviation

There is no deviation with the original standard.

4.5.6. EUT Operation during Test

The EUT was programmed to be in continuously transmitting mode.

4.5.7. Results of Radiated Emissions (9kHz~30MHz)

Temperature	24°C	Humidity	50%
Test Engineer	Clemens Fang	Configurations	CTX / Mode 2
Test Date	Mar. 29, 2016		

Freq. (MHz)	Level (dBuV)	Over Limit (dB)	Limit Line (dBuV)	Remark
-	-	-	-	See Note

Note:

The amplitude of spurious emissions that are attenuated by more than 20 dB below the permissible value has no need to be reported.

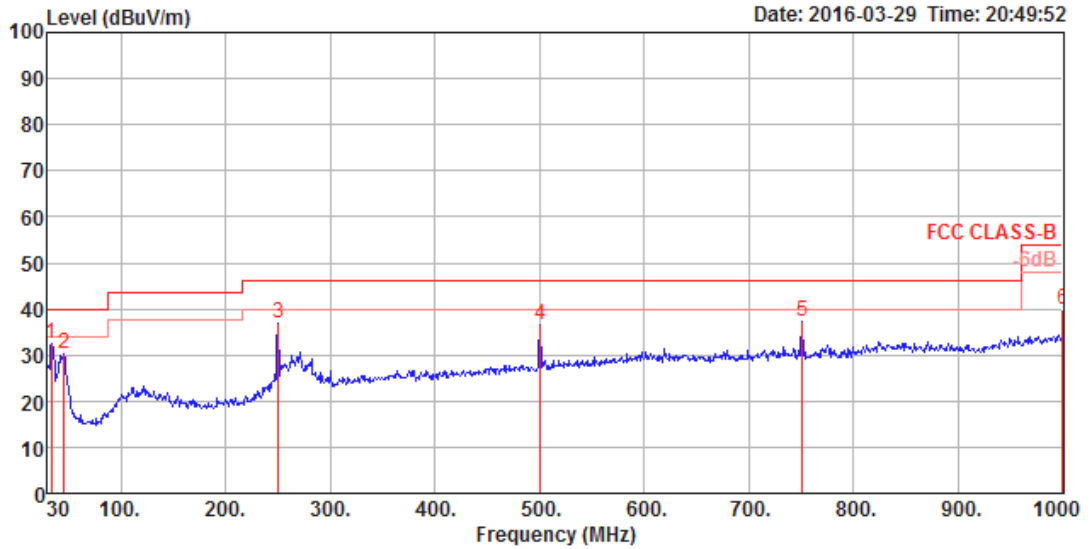
Distance extrapolation factor = $40 \log(\text{specific distance} / \text{test distance})$ (dB);

Limit line = specific limits (dBuV) + distance extrapolation factor.

4.5.8. Results of Radiated Emissions (30MHz~1GHz)

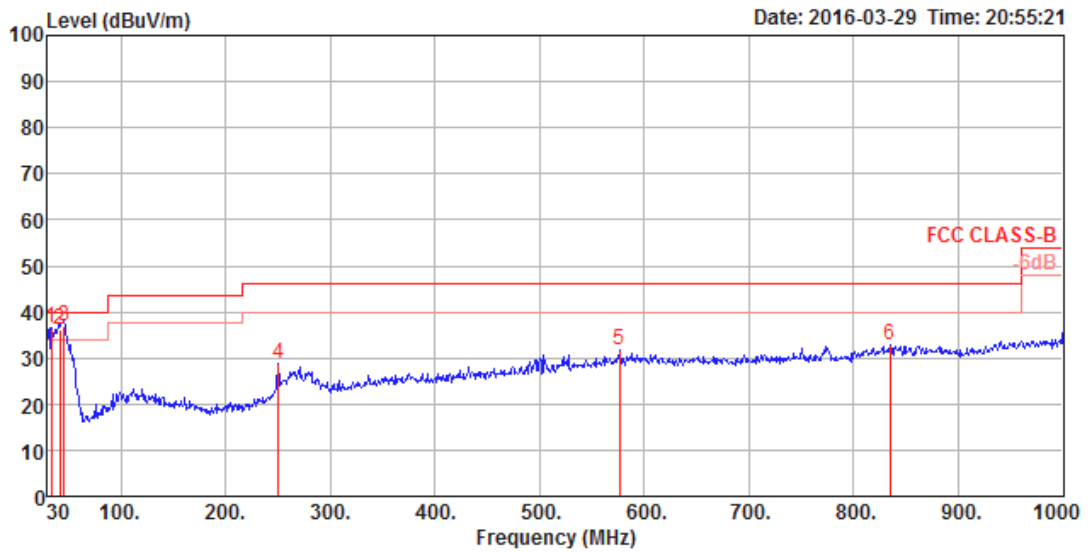
Temperature	24°C	Humidity	50%
Test Engineer	Clemens Fang	Configurations	CTX / Mode 2

Horizontal



	Freq	Level	Limit Line	Over Limit	Read Level	CableAntenna Loss	Preamp Factor	A/Pos	T/Pos	Remark	PoI/Phase	
	MHz	dBuV/m	dBuV/m	dB	dBuV	dB	dB/m	dB	cm	deg		
1	33.88	32.42	40.00	-7.58	40.54	0.51	23.77	32.40	150	325	Peak	HORIZONTAL
2	45.52	30.35	40.00	-9.65	45.28	0.60	16.88	32.41	200	264	Peak	HORIZONTAL
3	250.19	37.00	46.00	-9.00	48.86	1.34	19.10	32.30	100	244	Peak	HORIZONTAL
4	500.45	36.35	46.00	-9.65	42.73	1.94	24.03	32.35	150	13	Peak	HORIZONTAL
5	750.71	37.09	46.00	-8.91	40.62	2.37	26.40	32.30	100	328	Peak	HORIZONTAL
6	1000.00	40.03	54.00	-13.97	39.49	2.77	28.60	30.83	125	343	Peak	HORIZONTAL

Vertical



	Freq	Level	Limit Line	Over Limit	Read Level	CableAntenna Loss	Preamp Factor	A/Pos	T/Pos	Remark	Pol/Phase
	MHz	dBuV/m	dBuV/m	dB	dBuV	dB	dB/m	dB	cm	deg	
1	33.88	36.55	40.00	-3.45	44.67	0.51	23.77	32.40	150	356 Peak	VERTICAL
2	41.64	36.09	40.00	-3.91	48.83	0.56	19.11	32.41	132	322 QP	VERTICAL
3	45.52	36.72	40.00	-3.28	51.65	0.60	16.88	32.41	114	52 QP	VERTICAL
4	250.19	28.65	46.00	-17.35	40.51	1.34	19.10	32.30	100	42 Peak	VERTICAL
5	576.11	31.74	46.00	-14.26	36.94	2.08	25.12	32.40	150	196 Peak	VERTICAL
6	835.10	32.77	46.00	-13.23	35.10	2.50	27.23	32.06	125	322 Peak	VERTICAL

Note:

The amplitude of spurious emissions that are attenuated by more than 20dB below the permissible value has no need to be reported.

Emission level (dBuV/m) = 20 log Emission level (uV/m).

Corrected Reading: Antenna Factor + Cable Loss + Read Level - Preamp Factor = Level.

4.5.9. Results for Radiated Emissions (1GHz~10th Harmonic)

Temperature	24°C	Humidity	50%
Test Engineer	Clemens Fang	Configurations	Channel 0
Test Date	Mar. 09, 2016		

Horizontal

	Freq	Level	Limit Line	Over Limit	Read Level	CableAntenna Loss	Antenna Factor	Preamp Factor	A/Pos	T/Pos	Remark	Pol/Phase
	MHz	dBuV/m	dBuV/m	dB	dBuV	dB	dB/m	dB	cm	deg		
1	4808.49	42.98	74.00	-31.02	34.84	8.15	33.08	33.09	150	53	Peak	HORIZONTAL
2	4809.19	35.51	54.00	-18.49	27.37	8.15	33.08	33.09	150	53	Average	HORIZONTAL

Vertical

	Freq	Level	Limit Line	Over Limit	Read Level	CableAntenna Loss	Antenna Factor	Preamp Factor	A/Pos	T/Pos	Remark	Pol/Phase
	MHz	dBuV/m	dBuV/m	dB	dBuV	dB	dB/m	dB	cm	deg		
1	4807.75	48.89	74.00	-25.11	40.75	8.15	33.08	33.09	150	211	Peak	VERTICAL
2	4809.35	35.87	54.00	-18.13	27.73	8.15	33.08	33.09	150	211	Average	VERTICAL

Temperature	24°C	Humidity	50%
Test Engineer	Clemens Fang	Configurations	Channel 20
Test Date	Mar. 09, 2016		

Horizontal

	Freq	Level	Limit	Over	Read	CableAntenna	Preamp	A/Pos	T/Pos	Remark	Pol/Phase
	MHz	dBuV/m	dBuV/m	dB	dBuV	dB	dB/m	dB	cm	deg	
1	4876.89	35.36	54.00	-18.64	27.26	7.94	33.23	33.07	150	84 Average	HORIZONTAL
2	4876.98	48.08	74.00	-25.92	39.98	7.94	33.23	33.07	150	84 Peak	HORIZONTAL

Vertical

	Freq	Level	Limit	Over	Read	CableAntenna	Preamp	A/Pos	T/Pos	Remark	Pol/Phase
	MHz	dBuV/m	dBuV/m	dB	dBuV	dB	dB/m	dB	cm	deg	
1	4875.92	47.83	74.00	-26.17	39.74	7.94	33.23	33.08	150	187 Peak	VERTICAL
2	4878.20	35.48	54.00	-18.52	27.38	7.94	33.23	33.07	150	187 Average	VERTICAL



Temperature	24°C	Humidity	50%
Test Engineer	Clemens Fang	Configurations	Channel 39
Test Date	Mar. 09, 2016		

Horizontal

	Freq	Level	Limit Line	Over Limit	Read Level	Cable Loss	Antenna Factor	Preamp Factor	A/Pos	T/Pos	Remark	Pol/Phase
	MHz	dBuV/m	dBuV/m	dB	dBuV	dB	dB/m	dB	cm	deg		
1	4950.32	48.72	74.00	-25.28	40.66	7.74	33.38	33.06	150	17	Peak	HORIZONTAL
2	4950.99	35.35	54.00	-18.65	27.29	7.74	33.38	33.06	150	17	Average	HORIZONTAL

Vertical

	Freq	Level	Limit Line	Over Limit	Read Level	Cable Loss	Antenna Factor	Preamp Factor	A/Pos	T/Pos	Remark	Pol/Phase
	MHz	dBuV/m	dBuV/m	dB	dBuV	dB	dB/m	dB	cm	deg		
1	4954.49	35.63	54.00	-18.37	27.59	7.69	33.41	33.06	150	232	Average	VERTICAL
2	4958.43	48.51	74.00	-25.49	40.47	7.69	33.41	33.06	150	232	Peak	VERTICAL

Note:

The amplitude of spurious emissions that are attenuated by more than 20dB below the permissible value has no need to be reported.

Emission level (dBuV/m) = 20 log Emission level (uV/m).

Corrected Reading: Antenna Factor + Cable Loss + Read Level - Preamp Factor = Level.

4.6. Emissions Measurement

4.6.1. Limit

30dBc in any 100 kHz bandwidth outside the operating frequency band. In case the emission fall within the restricted band specified on 15.205(a), then the 15.209(a) limit in the table below has to be followed.

Frequencies (MHz)	Field Strength (micorvolts/meter)	Measurement Distance (meters)
0.009~0.490	2400/F(kHz)	300
0.490~1.705	24000/F(kHz)	30
1.705~30.0	30	30
30~88	100	3
88~216	150	3
216~960	200	3
Above 960	500	3

4.6.2. Measuring Instruments and Setting

Please refer to section 5 of equipments list in this report. The following table is the setting of the spectrum analyzer.

Spectrum Parameter	Setting
Attenuation	Auto
Span Frequency	100 MHz
RBW / VBW (Emission in restricted band)	1MHz / 3MHz for Peak, 1MHz / 1/T for Average
RBW / VBW (30dBc in any 100 kHz bandwidth emission)	100 kHz / 300 kHz for Peak

4.6.3. Test Procedures

For Radiated band edges Measurement:

1. The test procedure is the same as section 4.5.3.

For Radiated Out of Band Emission Measurement:

1. Test was performed in accordance with KDB558074 D01 v03r04 for Performing Compliance Measurements on Digital Transmission Systems (DTS) Operating Under §15.247 section 10.1 Unwanted Emissions into Non-Restricted Frequency Bands Measurement Procedure.

4.6.4. Test Setup Layout

For Radiated band edges Measurement:

This test setup layout is the same as that shown in section 4.5.4.

For Radiated Out of Band Emission Measurement:

This test setup layout is the same as that shown in section 4.5.4.

4.6.5. Test Deviation

There is no deviation with the original standard.

4.6.6. EUT Operation during Test

The EUT was programmed to be in continuously transmitting mode.

4.6.7. Test Result of Band Edge and Fundamental Emissions

Temperature	24°C	Humidity	50%
Test Engineer	Clemens Fang	Configurations	Channel 0, 20, 39
Test Date	Mar. 09, 2016		

Channel 0

	Freq	Level	Limit Line	Over Limit	Read Level	Cable Loss	Antenna Factor	Preamp Factor	A/Pos	T/Pos	Remark	Pol/Phase
	MHz	dBuV/m	dBuV/m	dB	dBuV	dB	dB/m	dB	cm	deg		
1	2356.65	60.05	74.00	-13.95	26.81	4.97	28.27	0.00	161	203	Peak	VERTICAL
2	2390.00	48.33	54.00	-5.67	15.01	5.01	28.31	0.00	161	209	Average	VERTICAL
3	2401.84	70.19			36.82	5.03	28.34	0.00	161	209	Average	VERTICAL
4	2402.32	96.48			63.11	5.03	28.34	0.00	161	203	Peak	VERTICAL

Item 3, 4 are the fundamental frequency at 2402 MHz.

Channel 20

	Freq	Level	Limit Line	Over Limit	Read Level	Cable Loss	Antenna Factor	Preamp Factor	A/Pos	T/Pos	Remark	Pol/Phase
	MHz	dBuV/m	dBuV/m	dB	dBuV	dB	dB/m	dB	cm	deg		
1	2350.01	58.41	74.00	-15.59	25.20	4.96	28.25	0.00	246	272	Peak	HORIZONTAL
2	2390.00	47.97	54.00	-6.03	14.65	5.01	28.31	0.00	246	272	Average	HORIZONTAL
3	2442.00	70.36			36.87	5.08	28.41	0.00	246	272	Peak	HORIZONTAL
4	2442.00	99.01			65.52	5.08	28.41	0.00	246	272	Peak	HORIZONTAL
5	2483.50	48.64	54.00	-5.36	15.04	5.12	28.48	0.00	246	272	Average	HORIZONTAL
6	2540.40	61.10	74.00	-12.90	27.26	5.18	28.66	0.00	246	272	Peak	HORIZONTAL

Item 4 are the fundamental frequency at 2442 MHz.

Channel 39

	Freq	Level	Limit Line	Over Limit	Read Level	Cable Loss	Antenna Factor	Preamp Factor	A/Pos	T/Pos	Remark	Pol/Phase
	MHz	dBuV/m	dBuV/m	dB	dBuV	dB	dB/m	dB	cm	deg		
1	2480.00	69.73			36.16	5.11	28.46	0.00	183	274	Average	VERTICAL
2	2480.32	97.51			63.94	5.11	28.46	0.00	183	274	Peak	VERTICAL
3	2521.51	49.36	54.00	-4.64	15.62	5.16	28.58	0.00	183	274	Average	VERTICAL
4	2527.76	61.48	74.00	-12.52	27.71	5.16	28.61	0.00	183	274	Peak	VERTICAL

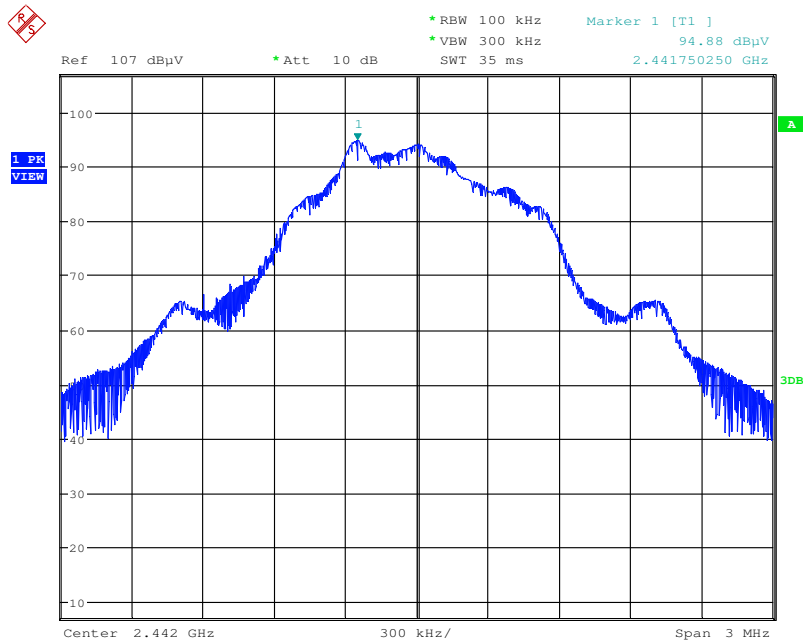
Item 1, 2 are the fundamental frequency at 2480 MHz.

Note:

Emission level (dBuV/m) = 20 log Emission level (uV/m).

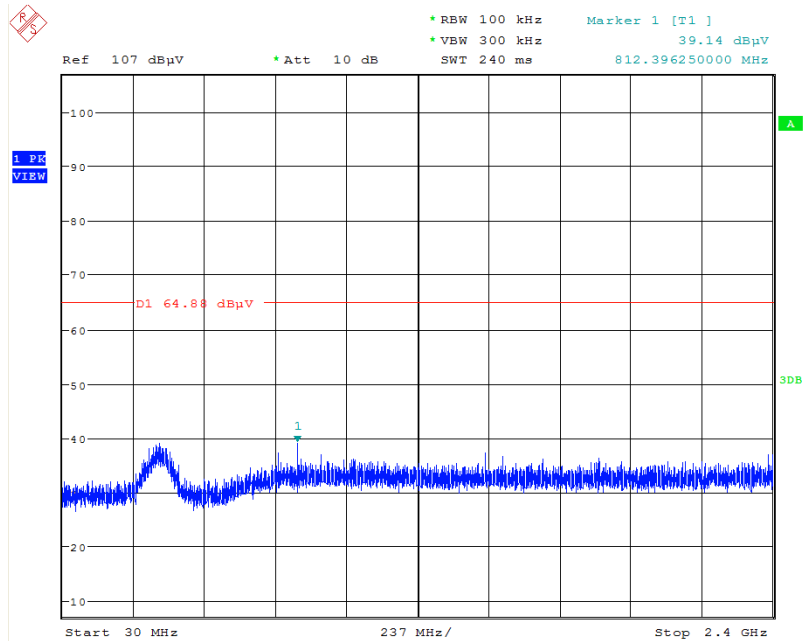
Corrected Reading: Antenna Factor + Cable Loss + Read Level - Preamp Factor = Level.

For Emission not in Restricted Band
Plot on Configuration / Reference Level



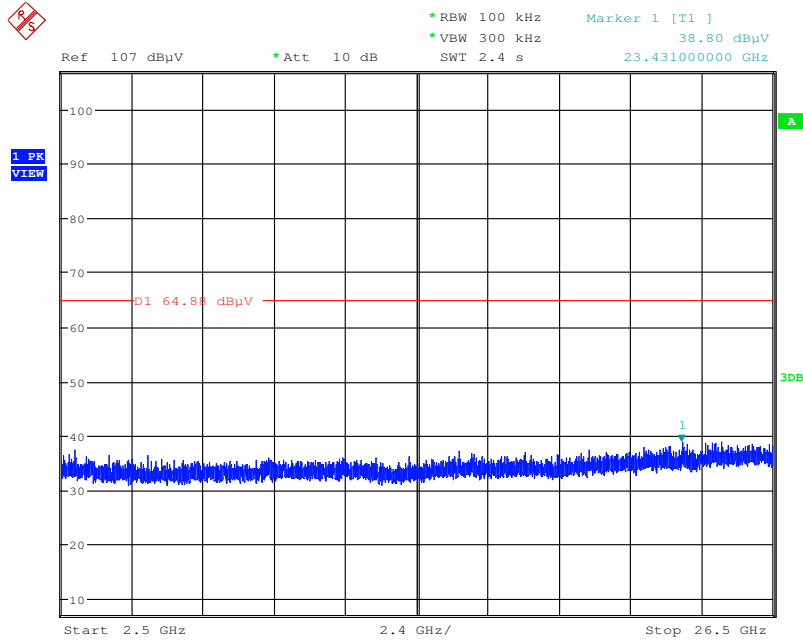
Date: 9.MAR.2016 01:21:46

Plot on Configuration For Bluetooth 4.0 / Channel 0 / 30MHz~2400MHz (down 30dBc)



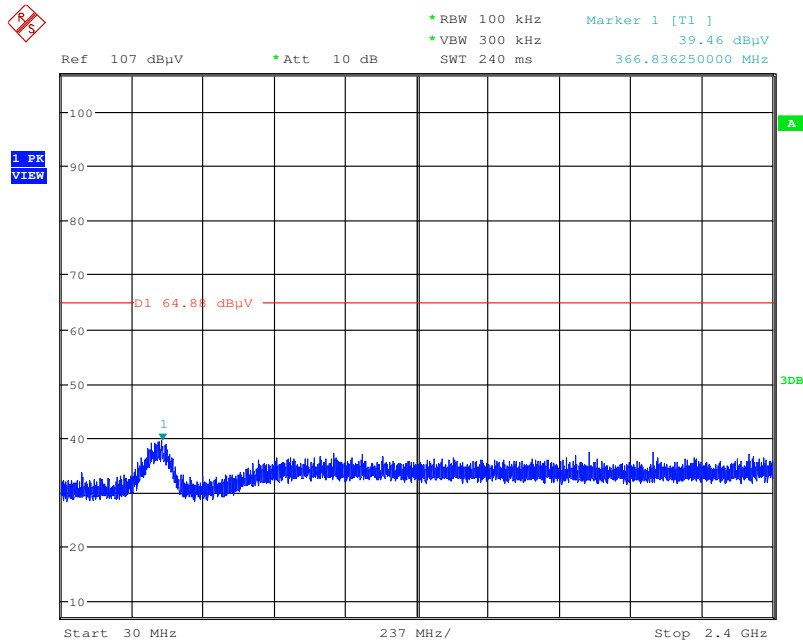
Date: 9.MAR.2016 01:31:40

Plot on Configuration For Bluetooth 4.0 / Channel 0 / 2500MHz~2650MHz (down 30dBc)



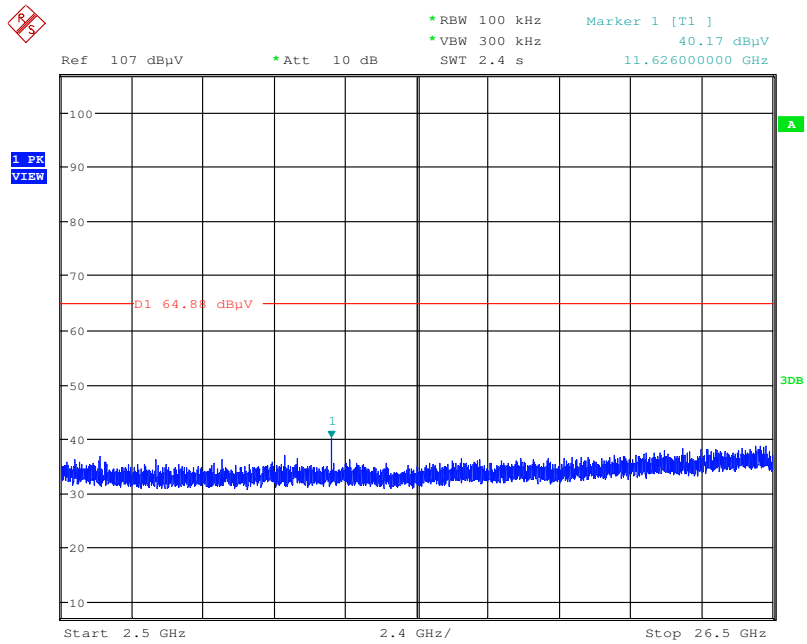
Date: 9.MAR.2016 01:24:09

Plot on Configuration For Bluetooth 4.0 / Channel 39 / 30MHz~2400MHz (down 30dBc)



Date: 9.MAR.2016 01:25:37

Plot on Configuration For Bluetooth 4.0 / Channel 39 / 2500MHz~26500MHz (down 30dBc)



Date: 9.MAR.2016 01:24:50

4.7. Antenna Requirements

4.7.1. Limit

Except for special regulations, the Low-power Radio-frequency Devices must not be equipped with any jacket for installing an antenna with extension cable. An intentional radiator shall be designed to ensure that no antenna other than that furnished by the responsible party shall be used with the device. The use of a permanently attached antenna or of an antenna that uses a unique coupling to the intentional radiator shall be considered sufficient to comply with the provisions of this Section. The manufacturer may design the unit so that the user can replace a broken antenna, but the use of a standard antenna jack or electrical connector is prohibited. Further, this requirement does not apply to intentional radiators that must be professionally installed.

4.7.2. Antenna Connector Construction

Please refer to section 3.3 in this test report; antenna connector complied with the requirements.

5. LIST OF MEASURING EQUIPMENTS

Instrument	Manufacturer	Model No.	Serial No.	Characteristics	Calibration Date	Remark
LISN	Schwarzbeck	NSLK 8127	8127650	9kHz ~ 30MHz	Nov. 16, 2015	Conduction (CO02-CB)
LISN	Schwarzbeck	NSLK 8127	8127478	9kHz ~ 30MHz	Nov. 13, 2015	Conduction (CO02-CB)
EMI Receiver	Agilent	N9038A	MY52260140	9kHz ~ 8.4GHz	Jan. 18, 2016	Conduction (CO02-CB)
COND Cable	Woken	Cable	01	0.15MHz ~ 30MHz	Dec. 01, 2015	Conduction (CO02-CB)
Software	Audix	E3	6.120210n	-	N.C.R.	Conduction (CO02-CB)
Pulse Limiter	Schwarzbeck	VTSD 9561F	9561-F073	9kHz ~ 30MHz	Sep. 30, 2015	Conduction (CO02-CB)
BILOG ANTENNA	Schaffner	CBL6112D	37880	20MHz ~ 2GHz	Sep. 03, 2015	Radiation (03CH01-CB)
Loop Antenna	Teseq	HLA 6120	24155	9kHz - 30 MHz	Mar. 12, 2015*	Radiation (03CH01-CB)
Horn Antenna	EMCO	3115	00075790	750MHz ~ 18GHz	Oct. 22, 2015	Radiation (03CH01-CB)
Horn Antenna	Schwarzbeck	BBHA 9170	BBHA9170252	15GHz ~ 40GHz	Jul. 21, 2015	Radiation (03CH01-CB)
Pre-Amplifier	Agilent	8447D	2944A10991	0.1MHz ~ 1.3GHz	Mar. 15, 2016	Radiation (03CH01-CB)
Pre-Amplifier	Agilent	8449B	3008A02310	1GHz ~ 26.5GHz	Jan. 18, 2016	Radiation (03CH01-CB)
Pre-Amplifier	WM	TF-130N-R1	923365	26GHz ~ 40GHz	Nov. 13, 2015	Radiation (03CH01-CB)
Spectrum Analyzer	R&S	FSP40	100056	9kHz ~ 40GHz	Oct. 27, 2015	Radiation (03CH01-CB)
EMI Receiver	Agilent	N9038A	MY52260123	9kHz ~ 8.4GHz	Jan. 27, 2016	Radiation (03CH01-CB)
RF Cable-low	Woken	Low Cable-1	N/A	30 MHz ~ 1 GHz	Nov. 02, 2015	Radiation (03CH01-CB)
RF Cable-high	Woken	High Cable-16	N/A	1 GHz ~ 18 GHz	Nov. 02, 2015	Radiation (03CH01-CB)
RF Cable-high	Woken	High Cable-17	N/A	1 GHz ~ 18 GHz	Nov. 02, 2015	Radiation (03CH01-CB)
RF Cable-high	Woken	High Cable-40G-1	N/A	18GHz ~ 40 GHz	Nov. 02, 2015	Radiation (03CH01-CB)
RF Cable-high	Woken	High Cable-40G-2	N/A	18GHz ~ 40 GHz	Nov. 02, 2015	Radiation (03CH01-CB)
Test Software	Audix	E3	6.2009-10-7	N/A	N/A	Radiation (03CH01-CB)
Spectrum analyzer	R&S	FSV40	100979	9kHz~40GHz	Dec. 09, 2015	Conducted (TH01-CB)
Spectrum Analyzer	R&S	FSP40	100142	9kHz~40GHz	Oct. 13, 2015	Conducted (TH01-CB)
RF Cable-high	Woken	RG402	High Cable-7	1 GHz – 26.5 GHz	Nov. 02, 2015	Conducted (TH01-CB)
RF Cable-high	Woken	RG402	High Cable-8	1 GHz – 26.5 GHz	Nov. 02, 2015	Conducted (TH01-CB)
RF Cable-high	Woken	RG402	High Cable-9	1 GHz – 26.5 GHz	Nov. 02, 2015	Conducted (TH01-CB)
RF Cable-high	Woken	RG402	High Cable-10	1 GHz – 26.5 GHz	Nov. 02, 2015	Conducted (TH01-CB)
RF Cable-high	Woken	RG402	High Cable-6	1 GHz – 26.5 GHz	Nov. 02, 2015	Conducted (TH01-CB)
Power Sensor	Agilent	U2021XA	MY53410001	50MHz~18GHz	Nov. 02, 2015	Conducted (TH01-CB)

Note: Calibration Interval of instruments listed above is one year.

* Calibration Interval of instruments listed above is two years.

N.C.R. means Non-Calibration required.

6. MEASUREMENT UNCERTAINTY

Test Items	Uncertainty	Remark
Conducted Emission (150kHz ~ 30MHz)	3.2 dB	Confidence levels of 95%
Radiated Emission (30MHz ~ 1,000MHz)	3.6 dB	Confidence levels of 95%
Radiated Emission (1GHz ~ 18GHz)	3.7 dB	Confidence levels of 95%
Radiated Emission (18GHz ~ 40GHz)	3.5 dB	Confidence levels of 95%
Conducted Emission	1.7 dB	Confidence levels of 95%