

8 7 6 5 4 3 2 1

THE INFORMATION CONTAINED IN THIS DRAWING IS THE SOLE PROPERTY OF VISIONARY PRODUCTS INC. ANY REPRODUCTION IN PART OR WHOLE WITHOUT THE WRITTEN PERMISSION OF VISIONARY PRODUCTS INC. IS PROHIBITED. ALL RIGHTS RESERVED

Most Recent Revisions		
REV	DESCRIPTION	ECO
02	See ECO V006476_01	V006476_01
03	See ECO V006476_02	V006476_02
04	See ECO V006476_03	V006476_03

Revision History

01: Initial Release.

02: Changes as follows per ECO V006476\_01


1. Add 1uF Capacitors to Each Column on Keypad
2. Add Bulk Capacitance to LCD\_Backlight\_PWR
3. Add Bulk Capacitance to +5VDC\_LCD Power

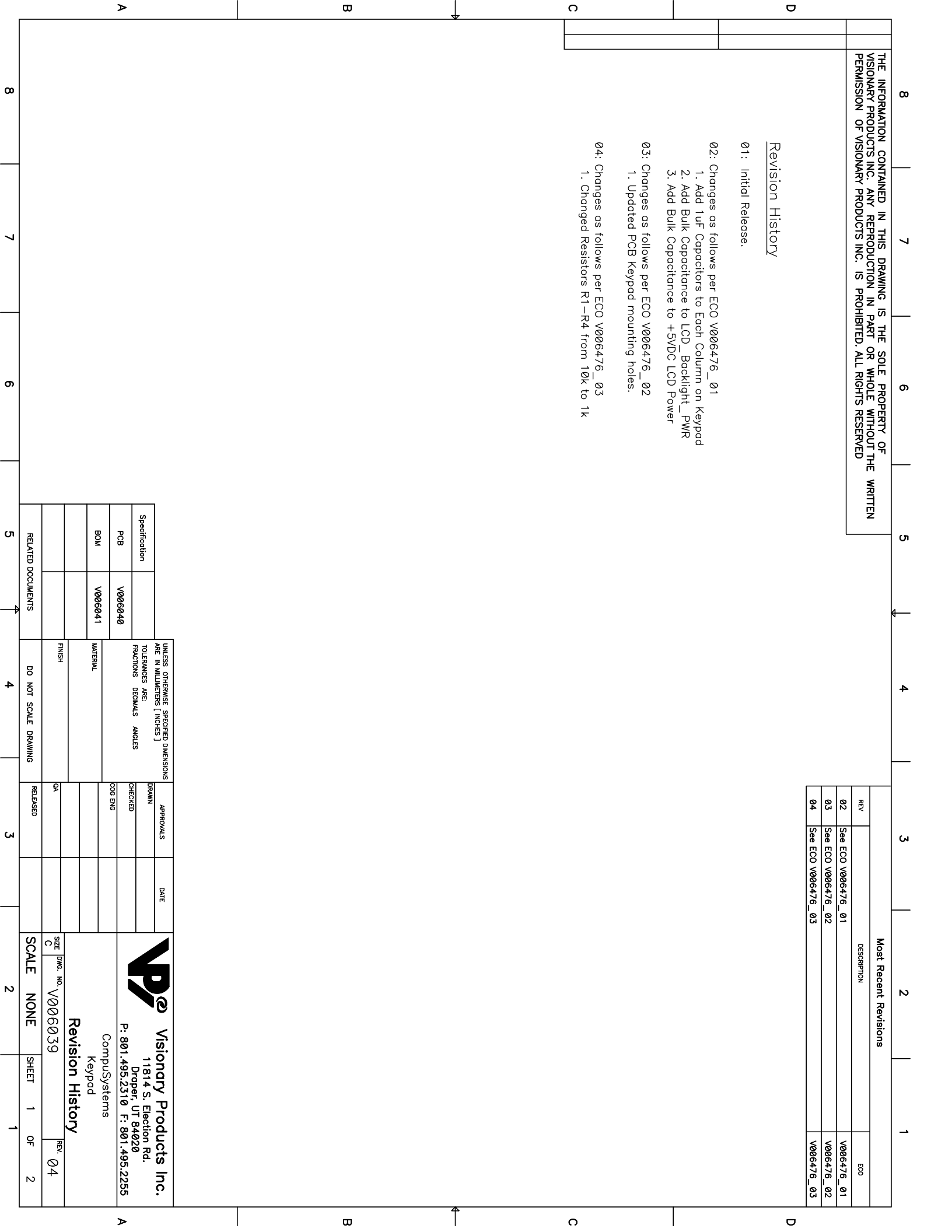
03: Changes as follows per ECO V006476\_02

1. Updated PCB Keypad mounting holes.

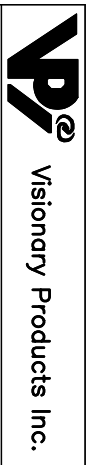
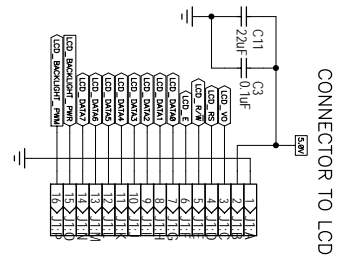
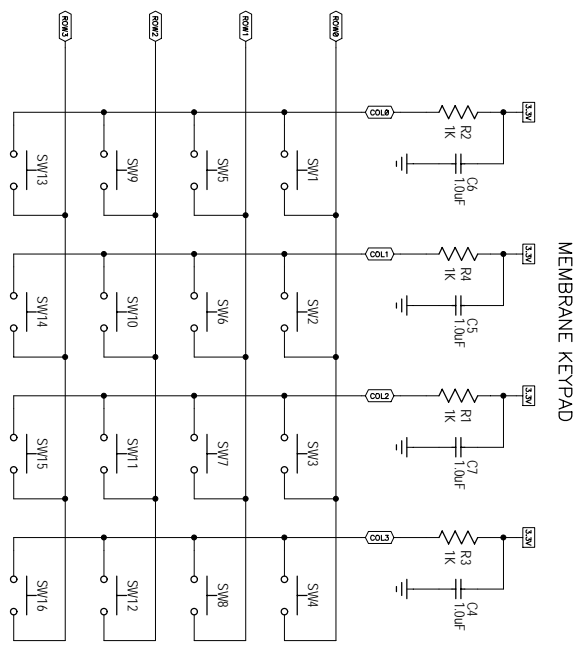
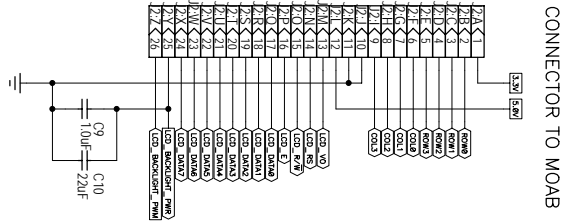
04: Changes as follows per ECO V006476\_03

1. Changed Resistors R1-R4 from 10k to 1k

UNLESS OTHERWISE SPECIFIED DIMENSIONS ARE IN MILLIMETERS [INCHES]		APPROVALS		DATE	
TOLERANCES ARE: FRACTIONS DECIMALS ANGLES		DRAWN			
MATERIAL		CHECKED			
FINISH		300 ENG			
DO NOT SCALE DRAWING		RELEASED			
 <p><b>Visionary Products Inc.</b> 11814 S. Election Rd. Draper, UT 84020 P: 801.495.2310 F: 801.495.2255</p> <p>CompuSystems Keypad</p>		SIZE: $\frac{C}{C}$ DWG. NO.: V006039 SCALE: NONE SHEET 1 OF 2		REV: 04	
Specification PCB BOM		V006040 V006041		RELATED DOCUMENTS	



THE INFORMATION CONTAINED IN THIS DRAWING IS THE SOLE PROPERTY OF VISIONARY PRODUCTS INC. ANY REPRODUCTION IN PART OR WHOLE WITHOUT THE WRITTEN PERMISSION OF VISIONARY PRODUCTS INC. IS PROHIBITED. ALL RIGHTS RESERVED



CompuSystems  
Keypad  
Main

SIZE	DWG. NO.	REV.
A	V006039	04
DATE	SCALE	SHEET
	NONE	2 OF 2