

8 7 6 5 4 3 2 1

THE INFORMATION CONTAINED IN THIS DRAWING IS THE SOLE PROPERTY OF VISIONARY PRODUCTS INC. ANY REPRODUCTION IN PART OR WHOLE WITHOUT THE WRITTEN PERMISSION OF VISIONARY PRODUCTS INC. IS PROHIBITED. ALL RIGHTS RESERVED

Most Recent Revisions		
REV	DESCRIPTION	ECO
01	Initial Release	
02	See ECO V006484_01	V006484_01

Revision History


01: Initial Release.

02: Changes per ECO V006484_01

1. Added Bypass Capacitors to Imager
2. Added 4 LED's for a total of 14
3. Removed series resistor from Imager_Clk signal

03:

UNLESS OTHERWISE SPECIFIED DIMENSIONS ARE IN MILLIMETERS [INCHES]		APPROVALS		DATE	
TOLERANCES ARE: FRACTIONS DECIMALS ANGLES		DRAWN			
MATERIAL		CHECKED			
FINISH		300S ENG			
DO NOT SCALE DRAWING		RELEASED			
RELATED DOCUMENTS		SIZE		DWG. NO.	
		C		V006036	
		SCALE		NONE	
		SHEET		1 OF 3	
		REV.		02	



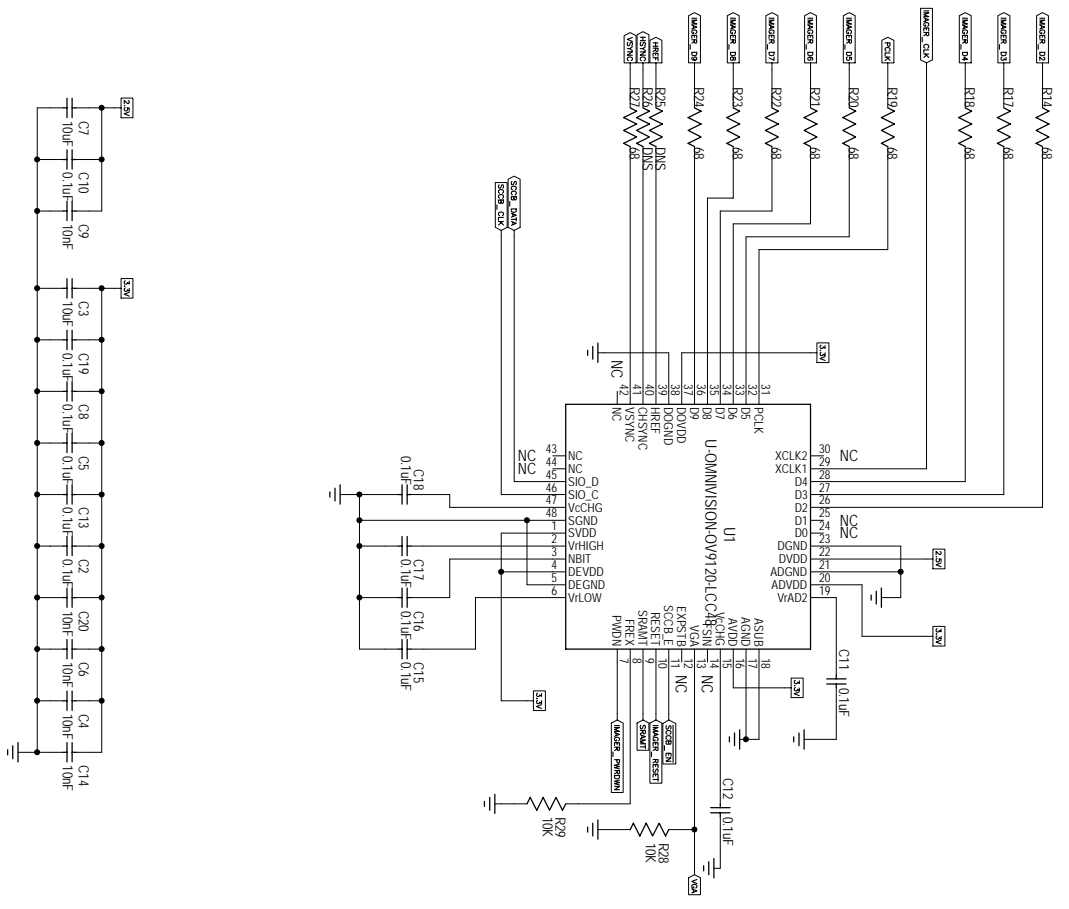
Visionary Products Inc.
 11814 S. Election Rd.
 Draper, UT 84020
 P: 801.495.2310 F: 801.495.2255

CompuSystems
 Imager

Revision History

8 7 6 5 4 3 2 1

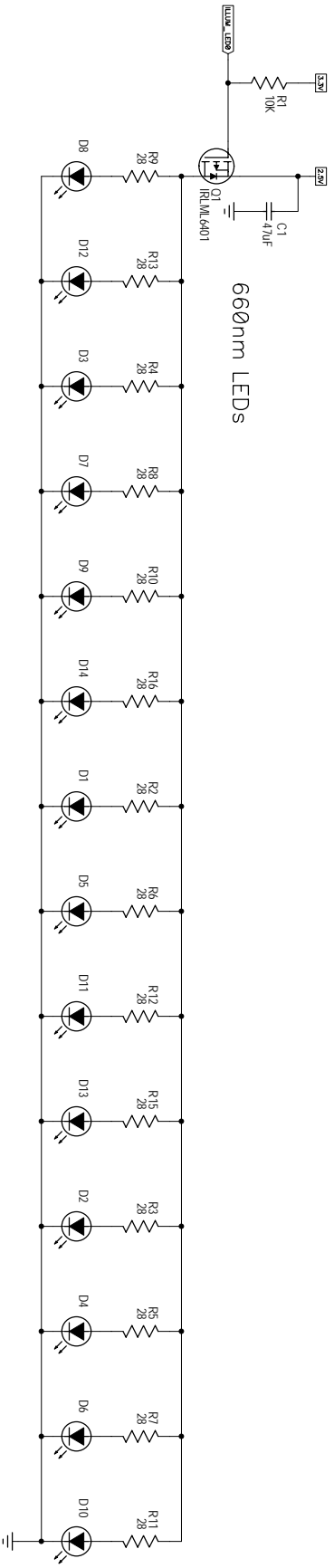
THE INFORMATION CONTAINED IN THIS DRAWING IS THE SOLE PROPERTY OF VISIONARY PRODUCTS INC. ANY REPRODUCTION IN PART OR WHOLE WITHOUT THE WRITTEN PERMISSION OF VISIONARY PRODUCTS INC. IS PROHIBITED. ALL RIGHTS RESERVED



CompuSystems
Imager
Main

SIZE	DWG. NO.	REV.
A	V006036	02
SCALE	SHEET	OF
NONE	2	3
DATE		

THE INFORMATION CONTAINED IN THIS DRAWING IS THE SOLE PROPERTY OF VISIONARY PRODUCTS INC. ANY REPRODUCTION IN PART OR WHOLE WITHOUT THE WRITTEN PERMISSION OF VISIONARY PRODUCTS INC. IS PROHIBITED. ALL RIGHTS RESERVED



CompuSystems
Imager
Illumination

SIZE	DWG. NO.	SCALE	SHEET	OF	REV.
A	V006036	NONE	3	3	02
DATE					