

APPROVAL SHEET

擁瞬科技有限公司 YONG-SHUN TECHNOLOGY CO., LTD

Customers: 易通展科技股份有限公司

Date: 2011/5/6

Customer P/N	
Yong-Shun P/N	AN-152RRSU00
Production Description	Antenna
Version	0

Approved By Customer	Approved By Yong-Shun

Approve	Chief	Responsible
Hunter	Frank	Jimmy

YONG-SHUN Technology Co., LTD.

擁瞬科技有限公司

Address: No.29, Xikun 1st St., Banqiao Dist., New Taipei City 220, Taiwan (R.O.C.)

Tel: +886-2-26841827 Fax: +886-2-26835010

Xinxie Technology Co., LTD. (Shenzhen)

欣協科技有限公司 (深圳廠)

Address: Nanbiantou Industrial Area, Dongfang Village, Songgang Town, Shenzhen City, China

Tel : +86-755-27553831 Fax : +86-755-27092799

Table of Contents

Item

1. Drawing

2. Test Report

-Electrical test

3. Material Certifications

-Cable

-Connector

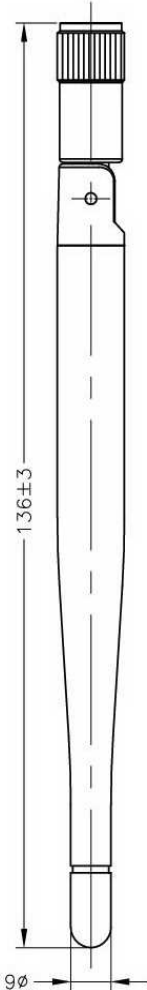
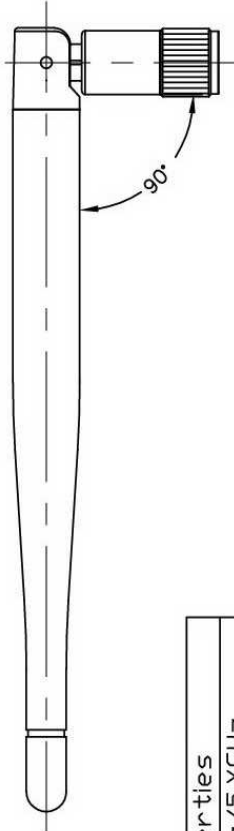
4. Packing

-PE Bag

-Carton

Modification History:

REV.	Date	Content
0	2011/5/6	

F	E	D	C	B	A																																	
			Rev Zone	Description	ENG																																	
					Approved																																	
					Date																																	
1																																						
2																																						
3	<p>Antenna type:Co-linear dipole structure</p> <table border="1" style="width:100%; border-collapse: collapse;"> <tr> <td style="width:15%;">Electrical Properties</td> <td>Frequency Range</td> <td>2.4GHz/5.XGHz</td> </tr> <tr> <td></td> <td>Impedance</td> <td>50Ω</td> </tr> <tr> <td></td> <td>V.S.W.R</td> <td>≤2.0</td> </tr> <tr> <td></td> <td>Radiation</td> <td>Omni</td> </tr> <tr> <td></td> <td>Gain</td> <td>3dBi/3dBi</td> </tr> <tr> <td></td> <td>Polarization</td> <td>Vertical</td> </tr> <tr> <td colspan="3">Mechanical Properties</td> </tr> <tr> <td></td> <td>Whip</td> <td>PC/PBT/TPEE</td> </tr> <tr> <td></td> <td>Standard Connector</td> <td>Reverse SMA PLUG</td> </tr> <tr> <td></td> <td>Weight</td> <td>10±0.5g(est)</td> </tr> <tr> <td></td> <td>Operating Temp</td> <td>-20°C~+65°C</td> </tr> </table>					Electrical Properties	Frequency Range	2.4GHz/5.XGHz		Impedance	50Ω		V.S.W.R	≤2.0		Radiation	Omni		Gain	3dBi/3dBi		Polarization	Vertical	Mechanical Properties				Whip	PC/PBT/TPEE		Standard Connector	Reverse SMA PLUG		Weight	10±0.5g(est)		Operating Temp	-20°C~+65°C
Electrical Properties	Frequency Range	2.4GHz/5.XGHz																																				
	Impedance	50Ω																																				
	V.S.W.R	≤2.0																																				
	Radiation	Omni																																				
	Gain	3dBi/3dBi																																				
	Polarization	Vertical																																				
Mechanical Properties																																						
	Whip	PC/PBT/TPEE																																				
	Standard Connector	Reverse SMA PLUG																																				
	Weight	10±0.5g(est)																																				
	Operating Temp	-20°C~+65°C																																				
4	<table border="1" style="width:100%; border-collapse: collapse;"> <tr> <td style="width:15%;">Material:</td> <td>Material:</td> <td>ANTENNA</td> </tr> <tr> <td>Finish:</td> <td>Finish:</td> <td>WHITE</td> </tr> <tr> <td>Scale:</td> <td>Scale:</td> <td>1:1(untimm)</td> </tr> <tr> <td>Date:</td> <td>Date:</td> <td>2011/04/29</td> </tr> <tr> <td>Rev:</td> <td>Rev:</td> <td>00</td> </tr> </table> <p>Drawn By: JIMMY Designed By: WILLSON Checked By: FRANK Approved By: FRANK</p> <p>Material: ANTENNA Draw No.: AN-152RRSU00 Part No.:</p> <p>欣協科技(深圳)有限公司 XinXieTechnology(SHENZHEN)co.ltd</p> <p>UNLESS OTHERWISE SPECIFIED, DIM TOLERANCES IN: X ± 0.5 XX ± 0.2 XXX ± 0.1 ANG. ± 1°</p> <p>THIRD ANGLE PROJECTION</p>					Material:	Material:	ANTENNA	Finish:	Finish:	WHITE	Scale:	Scale:	1:1(untimm)	Date:	Date:	2011/04/29	Rev:	Rev:	00																		
Material:	Material:	ANTENNA																																				
Finish:	Finish:	WHITE																																				
Scale:	Scale:	1:1(untimm)																																				
Date:	Date:	2011/04/29																																				
Rev:	Rev:	00																																				
1	2	3	4	5	6																																	

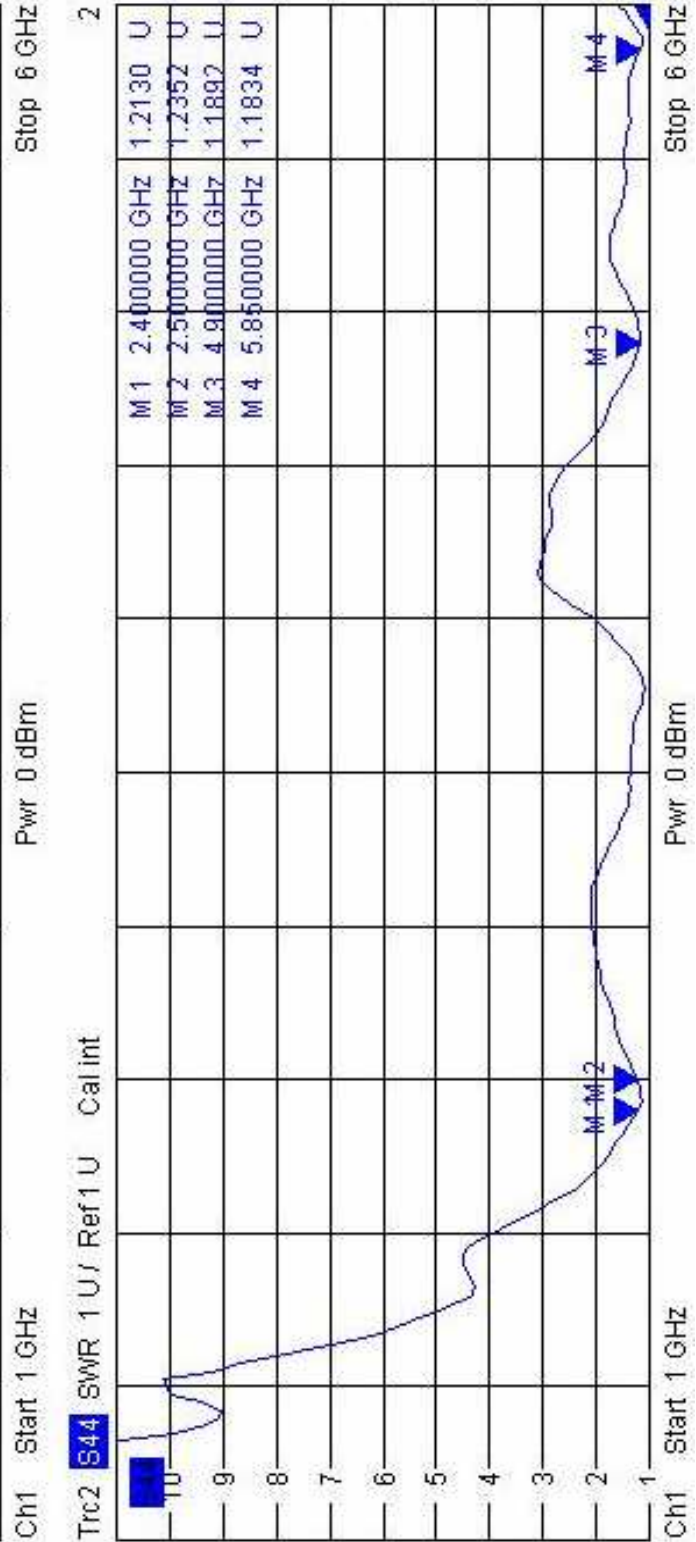
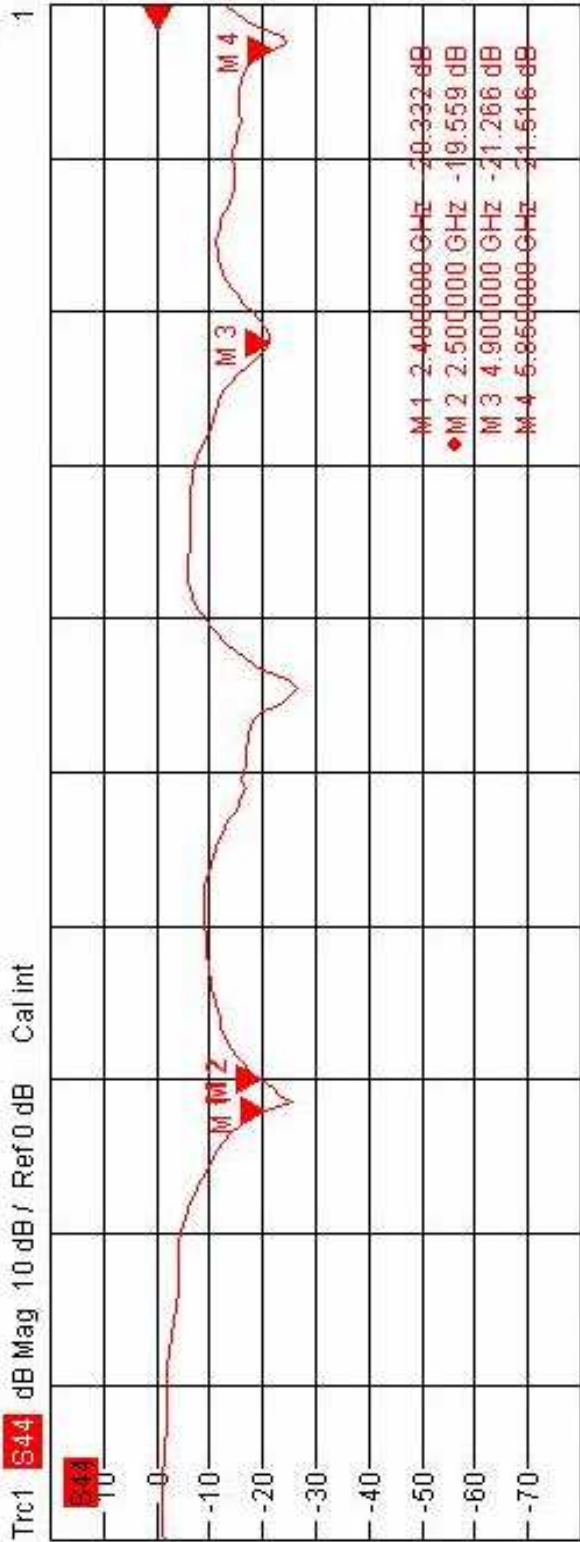
Electrical Properties

Frequency range	2.4GHz/5.XGHz
Impedance	50Ω
V.S.W.R	≤2.0
Radia tion	Omni-directional
Gain	3dBi/3dBi
Polarization	Vertical

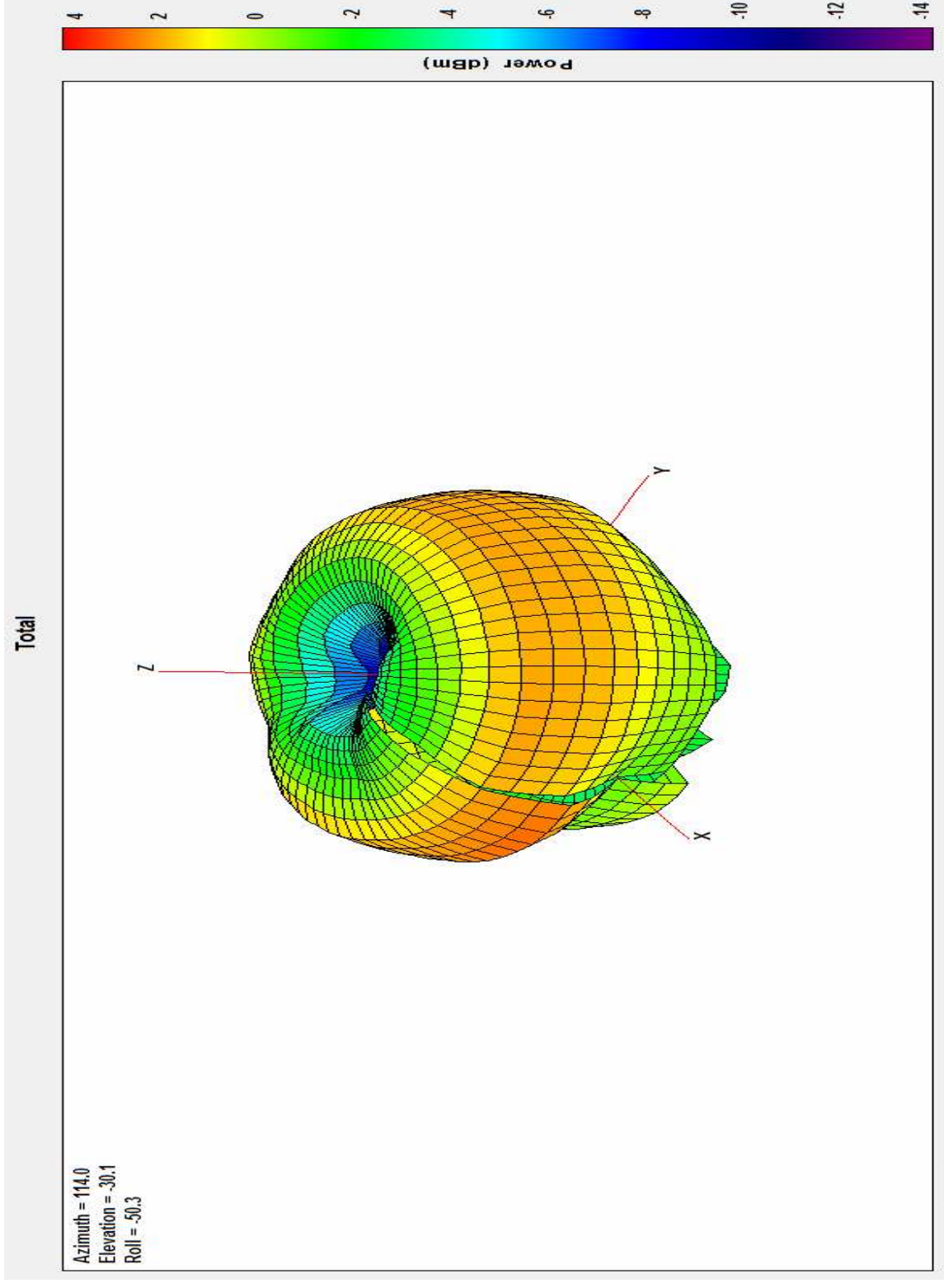
Mechanical Properties

Whip	PC/PBT/TPEE
Standard connector	Reverse SMA PLUG
Weight	10±0.5g
Operating Temp	-20°C+65°C

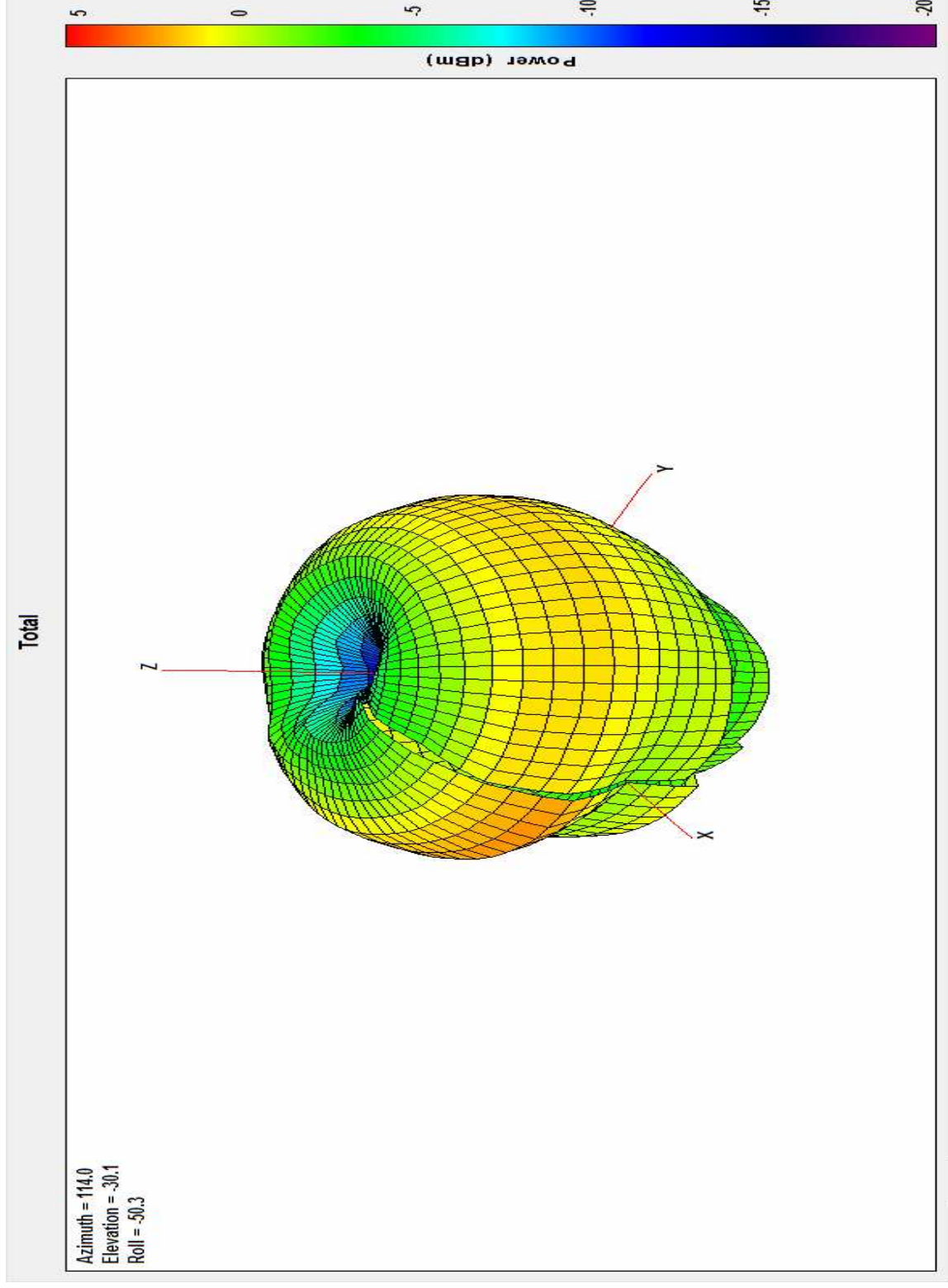
Electrical Test



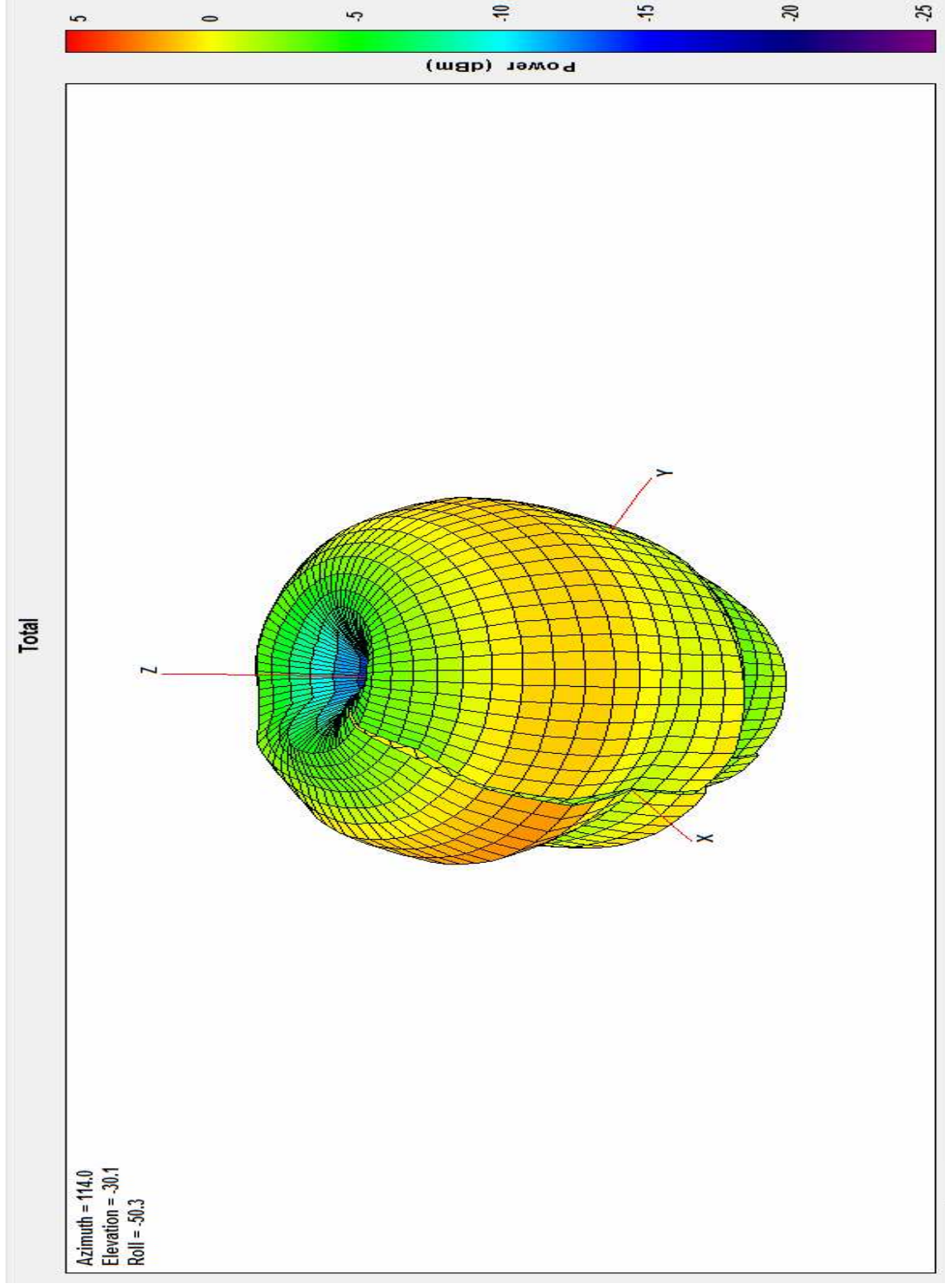
2400MHz



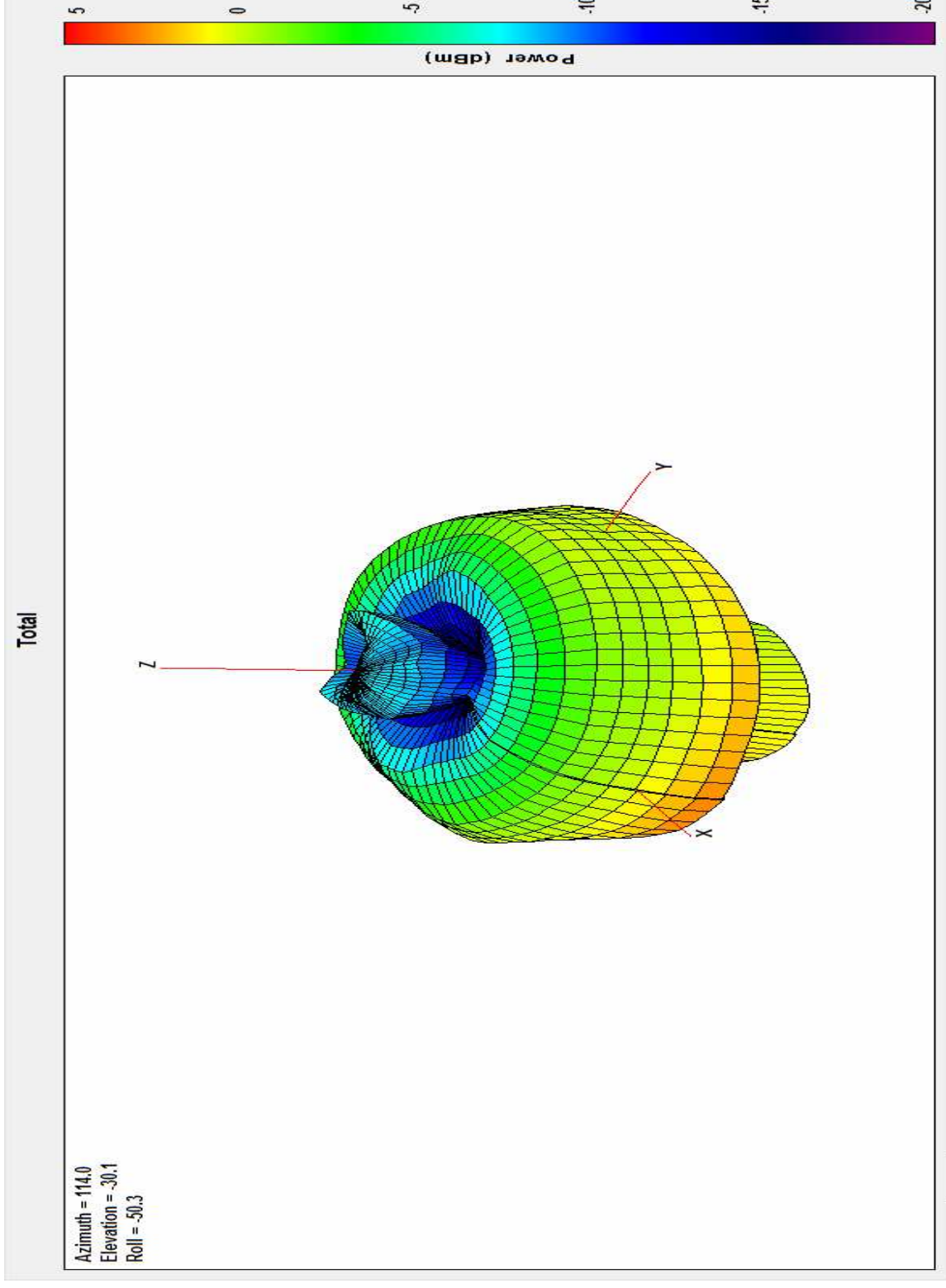
2450MHz



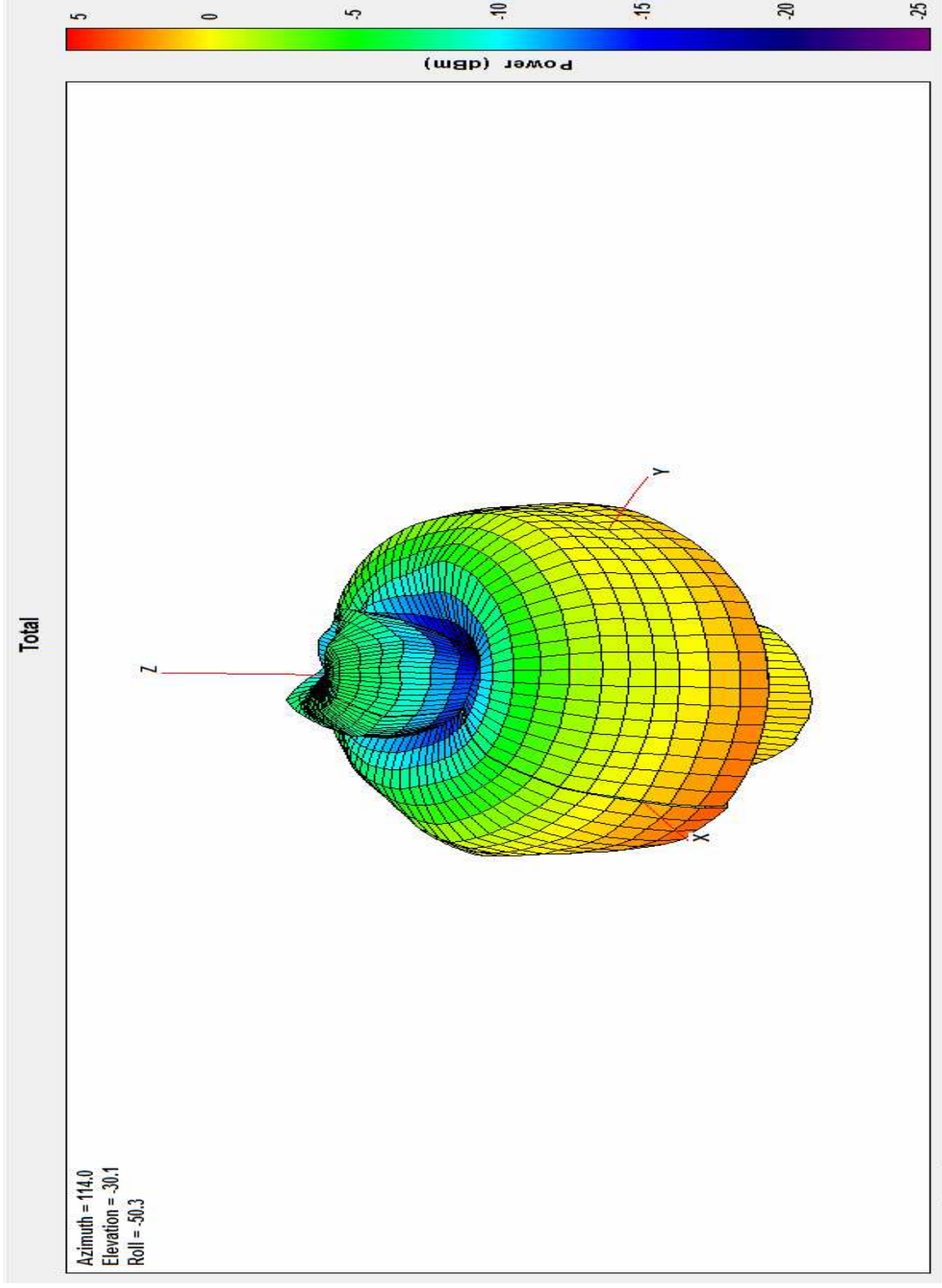
2500MHz



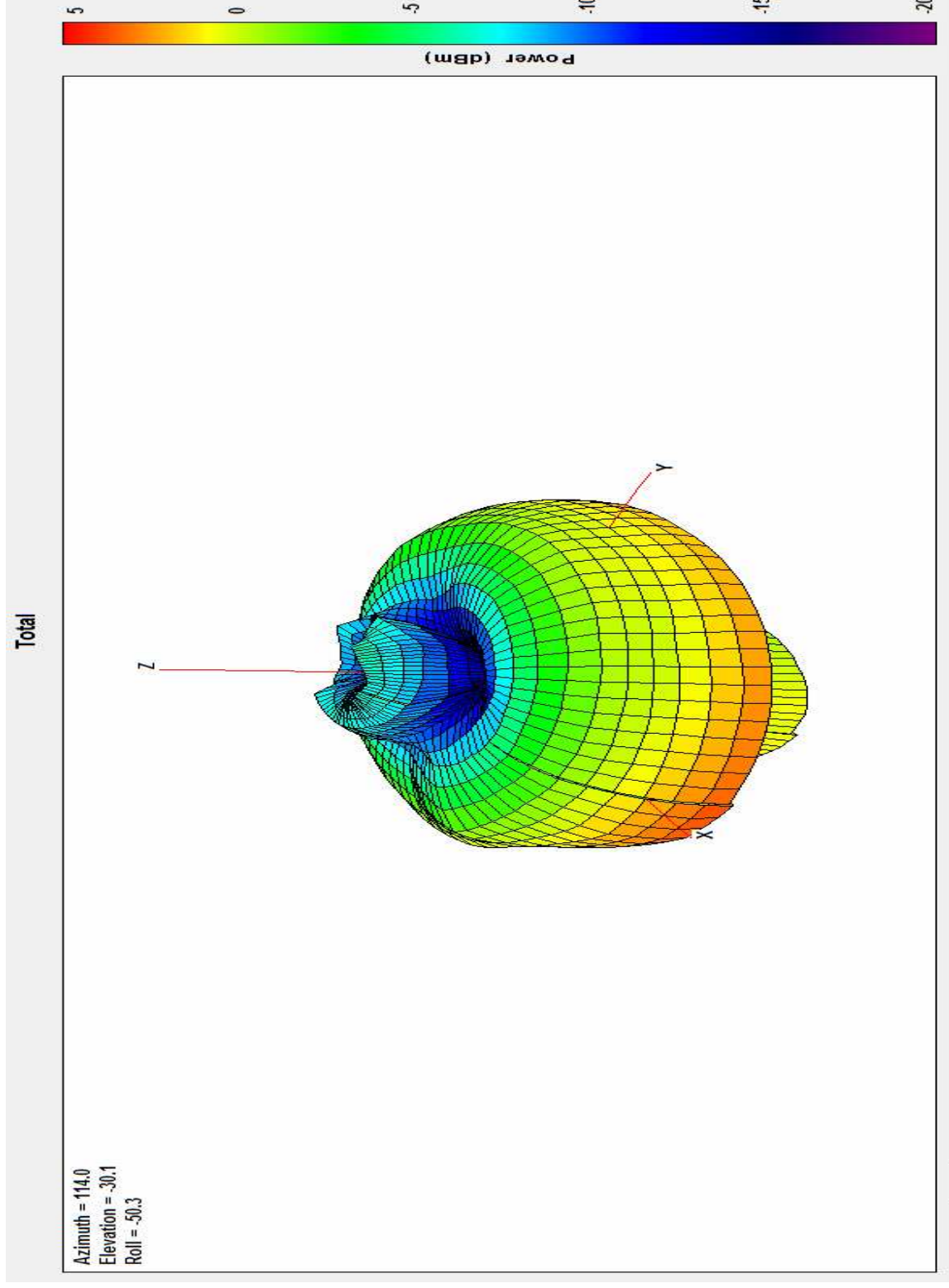
4900MHz



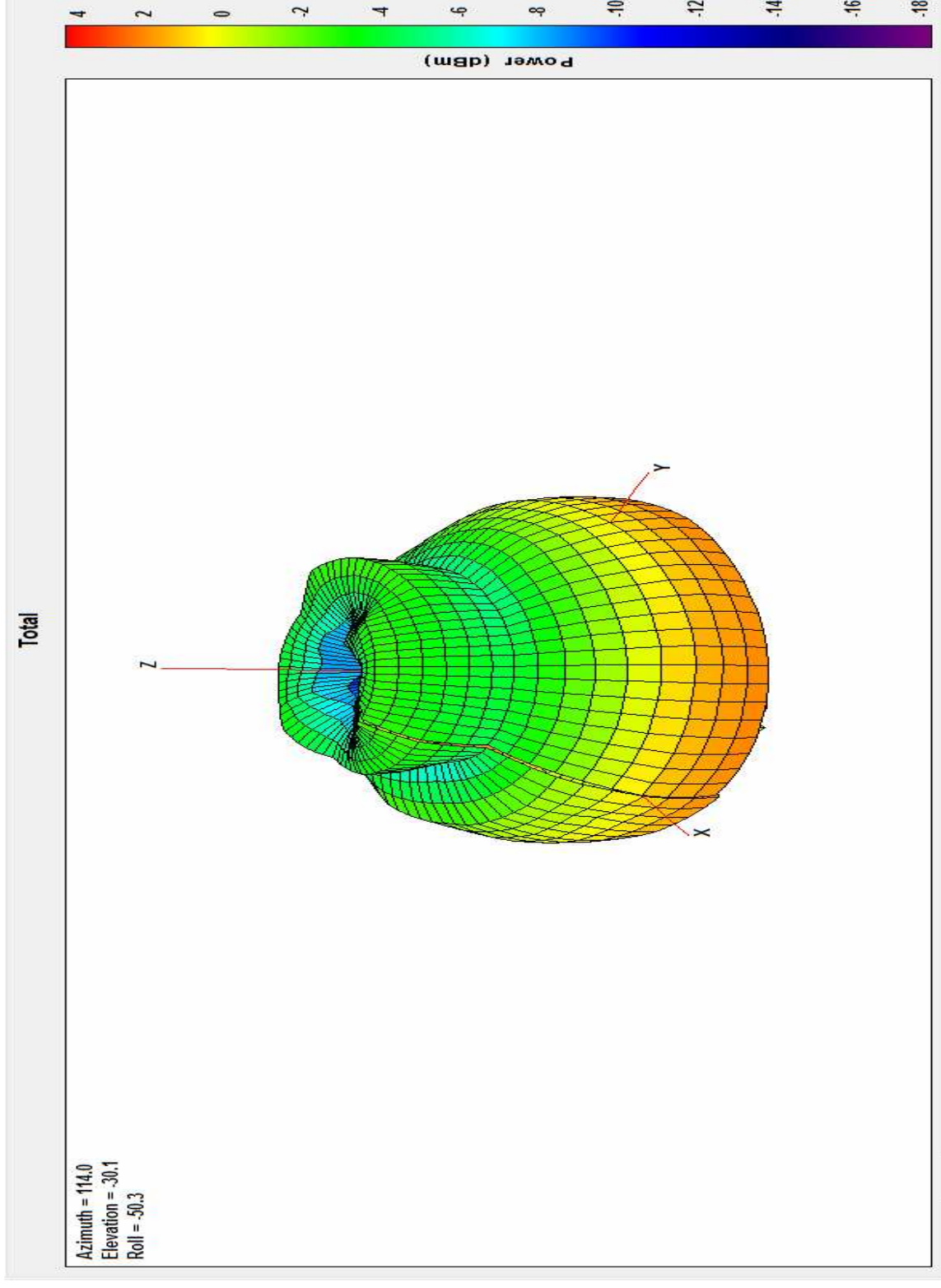
5150MHz



5550MHZ



5850MHZ



Antenna Efficiency

Frequency (MHz)	2400	2450	2500	4900	5150	5550	5850
Efficiency (%)	86.39	82.46	77.76	54.59	71.29	70.07	60.77
Gain (dBi)	2.95	2.95	2.53	4.31	4.27	3.76	3.48
Average Gain (dB)	-0.64	-0.84	-1.09	-0.63	-0.97	-0.54	-0.76

線材規格

CABLE SPECIFICATION

电线名称		RF1.37	
项目		规格	
导体	材料	镀银铜丝	
	结构	7/0.10	
	绝缘材料	聚全氟乙丙烯 (FEP)	
	绝缘外径	0.88±0.05mm	
屏蔽	同心度	>90%	
	屏蔽材料	镀银铜丝	
	结构	16*5/0.05	
	屏蔽外径	1.13mm	
绝缘	材料	聚全氟乙丙烯 (FEP)	
	厚度	0.08±0.05	
	外径	1.37±0.10mm	
电气性能			
1.特性阻抗 (Ω) :	50 Ω	1.操作频率:	4GHz
2.实验电压:	1.2kv	2.电容量:	96 pF/m
2. 额定温度	-55℃~+200℃	3.信号传输速度:	69%
3.火花电压:	2kv	4.延迟:	4.86ns/m
		5. 绝缘阻抗:	$\geq 1 \times 10^8 \Omega \cdot m$
		6.屏蔽率:	>40Db(1GHz)
		7.操作电压:	0.85KVms

截面图	
<p>导体 绝缘 屏蔽层 护套</p>	<p>备注</p> <p>颜色:按客户要求</p> <p>参照标准: 军标M17</p>

苏州市相城正旭电线电缆有限公司 产品规格书			
核准	王艳	客户名称	欣协
审核	唐卫俭	编号	ZX09080302
绘制	徐向华	日期	2008/8/3