



Yingzhen Cyber Blue industry Co.,Ltd

Add:34F,Block A,Galaxy Century Building No.3069,South Caitian Road,Futian District Shenzhen China

Tel:+86(755)23985181

Fax:+86(755)23985835

Bluetooth Headset PCB Antenna Spec

Date 2011-4-11

Sheet: 1 of 4

BT02_C5M_V6_PCB Antenna

Test Equipment:Antitsu S332D Network Analyzer

1. Electrical Characteristics

No.	Item	Specifications
1	Working Central Frequency	2450 MHz
2	Band Width	± 75 MHz (2375~2525MHz)
3	Gain	0~2 dBi
4	V.S.W.R (in BW)	≤ 2.0
5	Polarization	Linear
6	Azimuth Beam width	Omni-directional
7	Impedance	50 Ω



Yingzhen Cyber Blue industry Co.,Ltd

Add:34F,Block A,Galaxy Century Building No.3069,South Caitian Road,Futian District Shenzhen China

Tel:+86(755)23985181

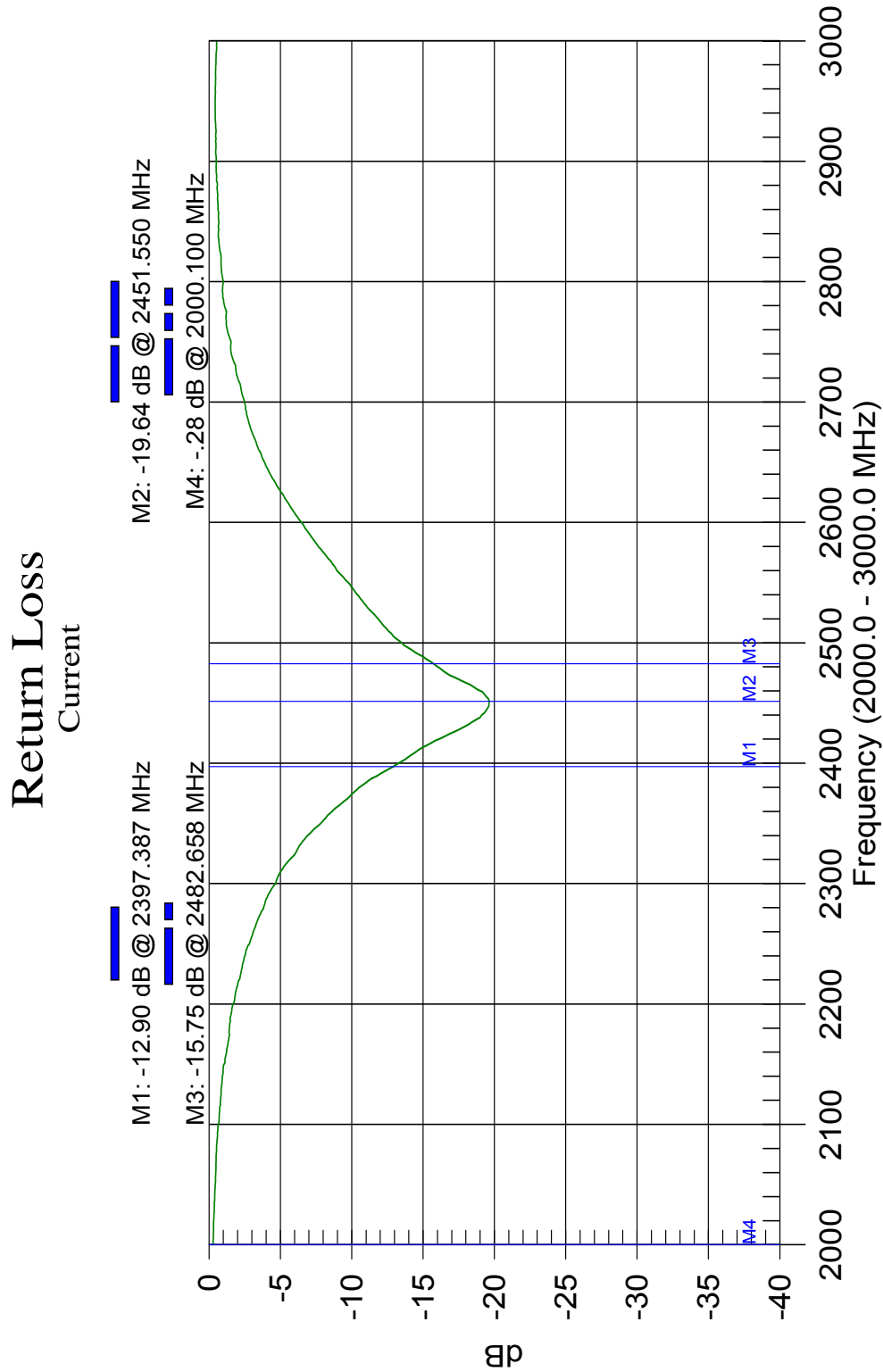
Fax:+86(755)23985835

Bluetooth Headset PCB Antenna Spec

Date 2011-4-11

Sheet: 2 of 4

2.Return Loss and Smith Chat



Resolution: 517
Std: ---
Date: Sep/02/2009
Model: S332D

FlexCAL:ON(COAX)
Channel: N/A
Time: 14:16:43
Serial #: 00924093



Yingzhen Cyber Blue industry Co.,Ltd

Add:34F,Block A,Galaxy Century Building No.3069,South Caitian Road,Futian District Shenzhen China

Tel:+86(755)23985181

Fax:+86(755)23985835

Bluetooth Headset PCB Antenna Spec

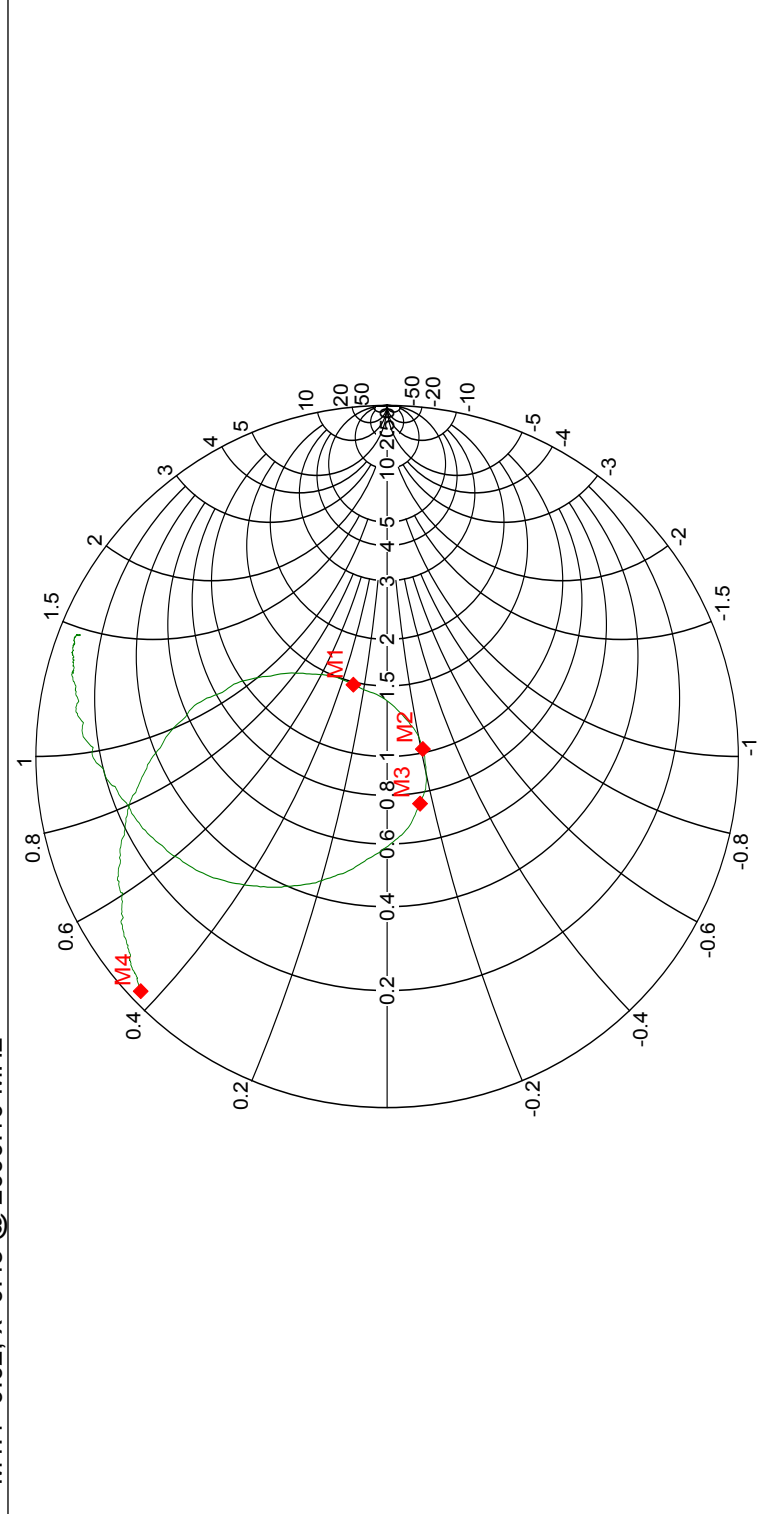
Date 2011-4-11

Sheet: 3 of 4

Smith Chart

Current

M1: $r=1.48$, $x=0.30$ @ 2397.387 MHz M2: $r=1.02$, $x=-0.21$ @ 2451.65 MHz M3: $r=0.75$, $x=-0.14$ @ 2482.658 MHz
M4: $r=0.02$, $x=0.43$ @ 2000.10 MHz



Resolution: 517
Date: Sep/02/2009
Model: S332D

FlexCAL:ON(COAX)
Time: 14:16:43
Serial #: 00924093

CW ON
Prop. Vel.: 800



Yingzhen Cyber Blue industry Co.,Ltd

Add:34F,Block A,Galaxy Century Building No.3069,South Caitian Road,Futian District Shenzhen China

Tel:+86(755)23985181

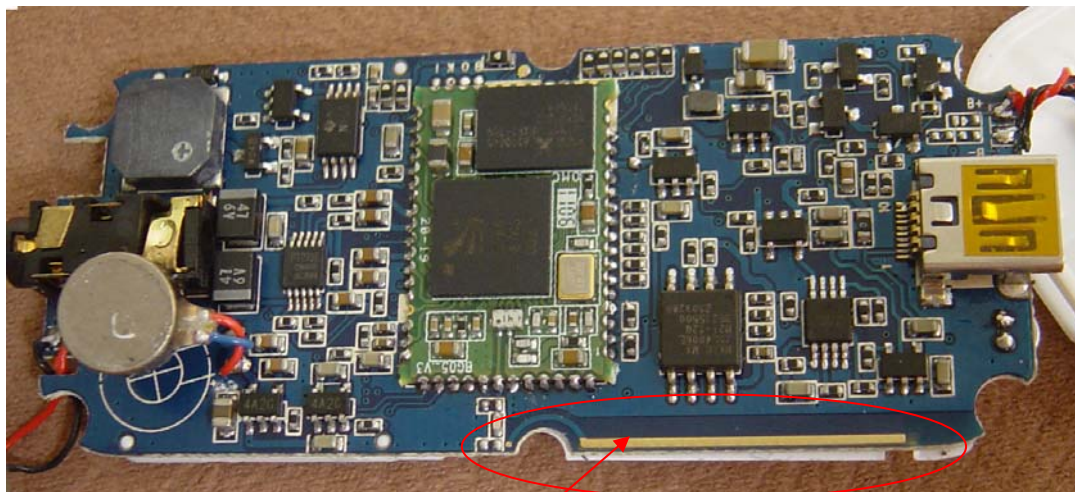
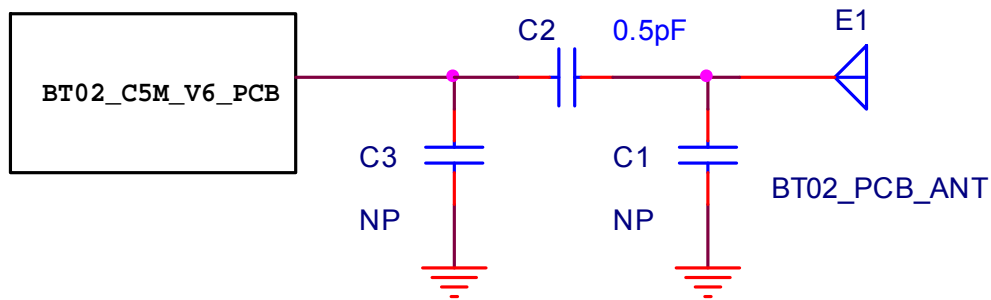
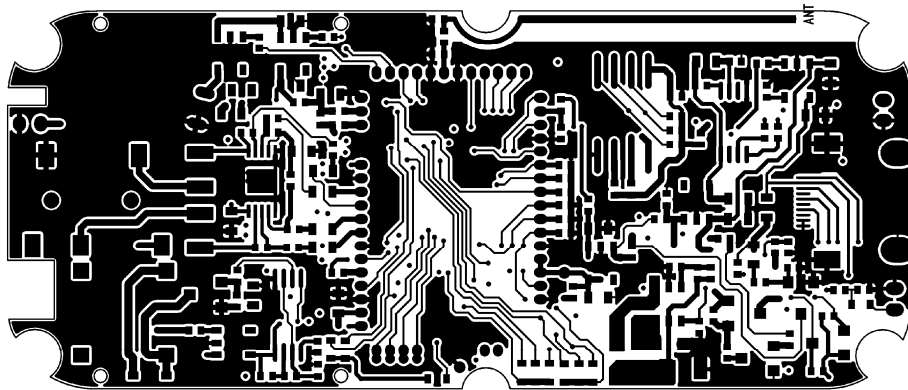
Fax:+86(755)23985835

Bluetooth Headset PCB Antenna Spec

Date 2011-4-11

Sheet: 4 of 4

3.Parameters of the antenna matching networks



Bluetooth antenna

END