

NR204AD-T80G-D

For NEW Applications only

INSTALLATION INSTRUCTIONS NT80G RF433.92

INSTALLATION

This unit is designed for installation on an automobile sun visor or under the dashboard. Do not install on top of the dashboard as the sun may damage the unit. The transmitter must be operated within the automobile and switch depressed only for a period of time necessary to start the door/gate.

TROUBLESHOOTING

Should you begin to experience loss of range, replace the 9volt battery. If your unit should fail to operate at all, check that the "code settings" match your receiver.

NR204AD INSTALLATION INSTRUCTIONS RF 433.92

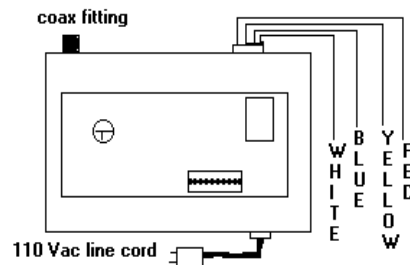
MODEL EXPLANATION:

This receiver is used to control two single button electric operators, which are in close proximity or one commercial operator that has open/close capability.

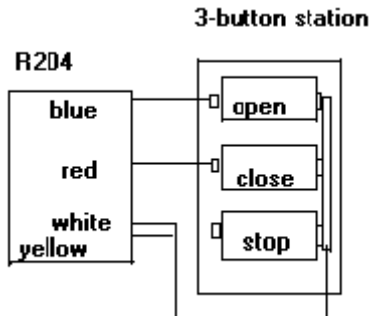
The 9-position Dipswitch can be set to match its companion transmitter, NT80G, thereby isolating the unit from nearby units.

NOTE: If you are replacing a receiver or transmitter, be sure these codes match. These units operate at factory set, crystal controlled wireless frequency of 433.92MHz.

If you are going to use the NR204AD receiver for anything other than the Telectron garage door operator, note that both contacts are normally open dry contacts



WIRING NR204AD TO A 3-BUTTON STATION



1. Connect the white and yellow wires to the common side of the 3-button station.
2. Connect the blue wire to the open button of the 3-button station.
3. Connect the red wire to the close button of the 3-button station.

LIMITED 12 MONTH WARRANTY

Telectron radio controls are warranted against defects in material and workmanship, for a period of 12 months from the date of purchase, providing recommended installation procedures were followed. This warranty shall be considered void if damage was due to improper installation or use, connection to improper power source, or damage was caused by fire, flood, or lightning. Telectron will not be responsible for any labor charges incurred in the removal or replacement of defective radio controls. This warranty extends only to the original purchaser. All consequential damage are hereby excluded and there are no obligations or liabilities on the part of Telectron arising out of, or in connection with, the use or performance of these products or indirect damages with respect to loss of property, revenue profit or cost of removal, installation or re-installation. If failure of the radio control should occur due to defective material or workmanship during the warranty period, the radio control will be repaired or replaced at Telectron's option at no charge if returned with transportation prepaid. Replacements, when used, will be factory rebuilt or new. Repaired or replaced radio controls are warranted for the remaining period of the original warranty period. Batteries are excluded from this warranty

This device complies with Part 15 of the FCC Rules.

Operation is subject to the following two conditions: (1) this device may not cause harmful interference, and (2) this device must accept any interference received, including interference that may cause undesired operation.

FCC NOTE:

THE MANUFACTURER IS NOT RESPONSIBLE FOR ANY RADIO OR TV INTERFERENCE CAUSED BY UNAUTHORIZED MODIFICATIONS TO THIS EQUIPMENT. SUCH MODIFICATIONS COULD VOID THE USER'S AUTHORITY TO OPERATE THE EQUIPMENT.