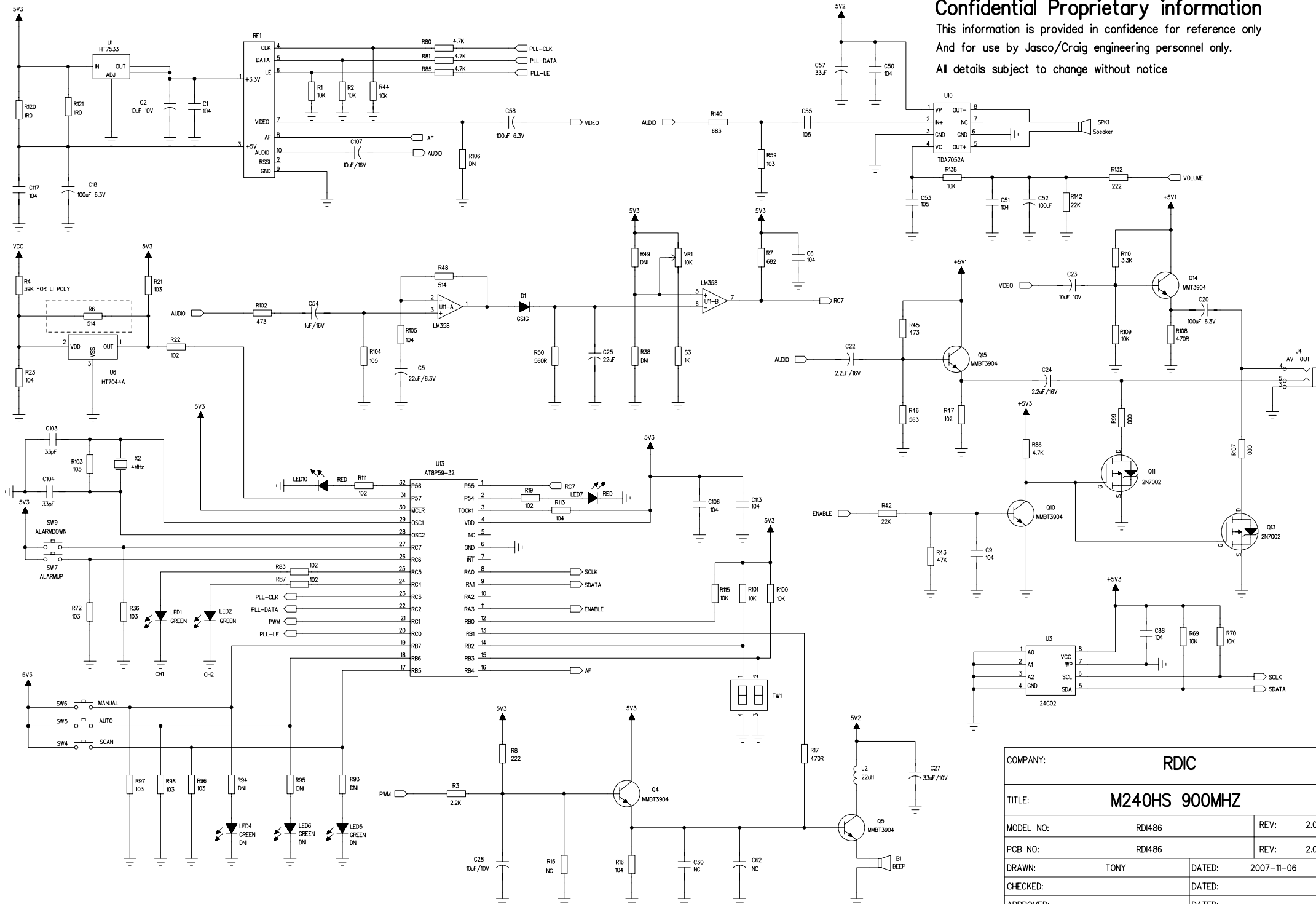


Confidential Proprietary information

This information is provided in confidence for reference only

And for use by Jasco/Craig engineering personnel only.

All details subject to change without notice



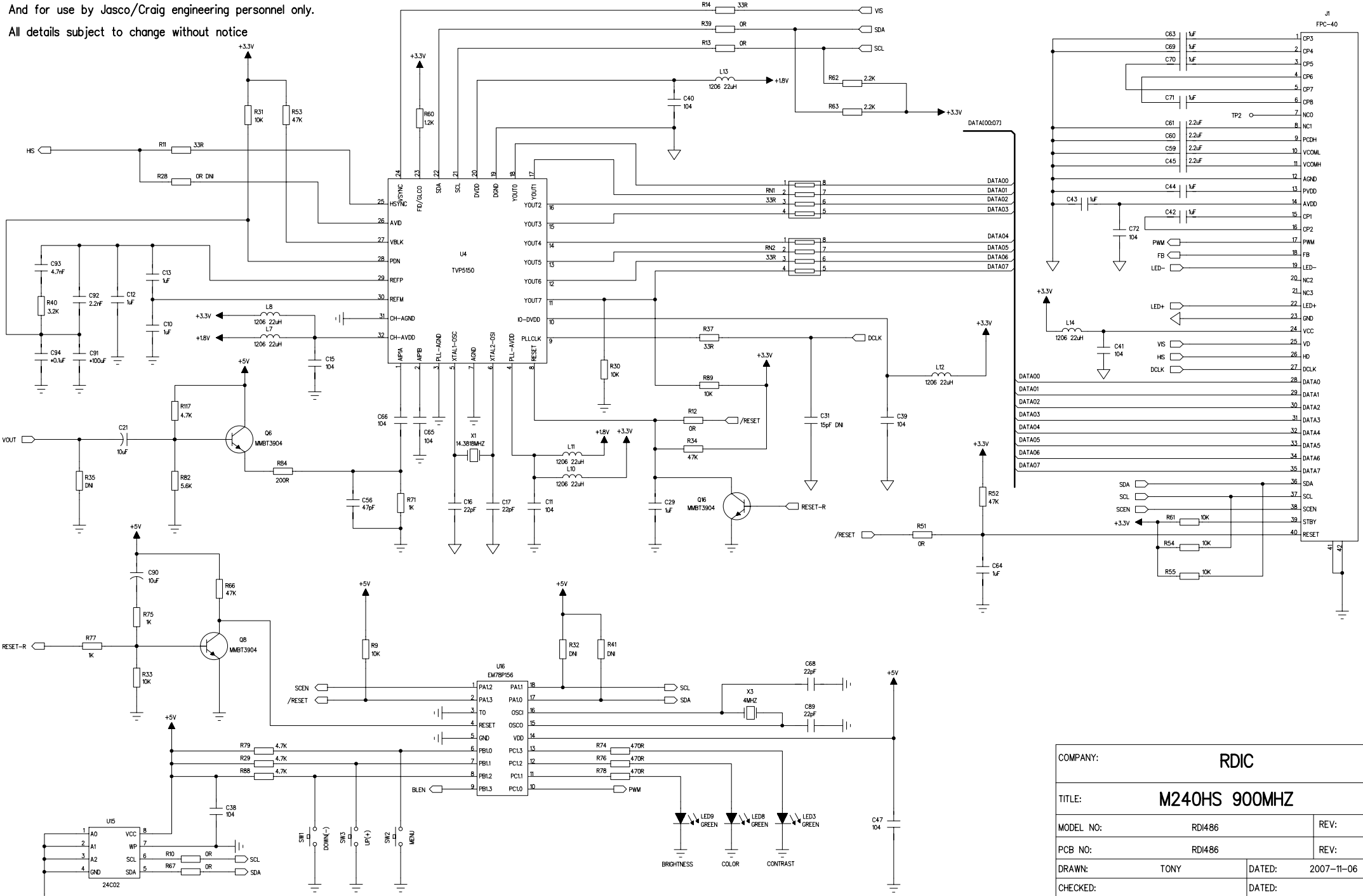
COMPANY:		RDIC	
TITLE:		M240HS 900MHZ	
MODEL NO:	RD1486	REV:	2.0
PCB NO:	RD1486	REV:	2.0
DRAWN:	TONY	DATED:	2007-11-06
CHECKED:		DATED:	
APPROVED:		DATED:	
SCALE:	1:1	SIZE:	A2
		SHEET:	1 OF 3

Confidential Proprietary information

This information is provided in confidence for reference only

And for use by Jasco/Craig engineering personnel only.

All details subject to change without notice



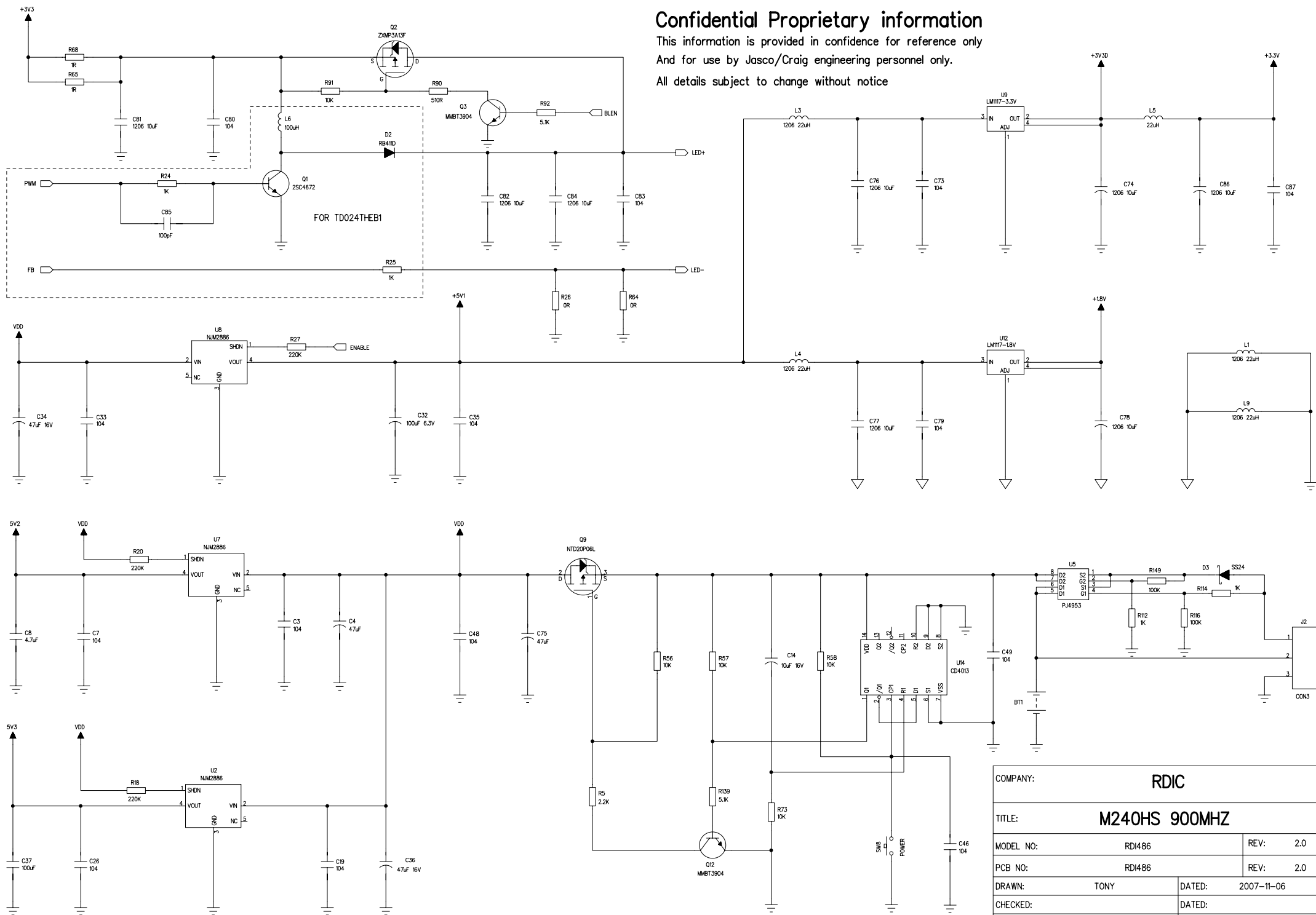
COMPANY:		RDIC	
TITLE:		M240HS 900MHZ	
MODEL NO:	RD1486	REV:	2.0
PCB NO:	RD1486	REV:	2.0
DRAWN:	TONY	DATED:	2007-11-06
CHECKED:		DATED:	
APPROVED:		DATED:	
SCALE:	1:1	SIZE:	A2
		SHEET:	2 OF 3

Confidential Proprietary information

This information is provided in confidence for reference only

And for use by Jasco/Craig engineering personnel only.

All details subject to change without notice



COMPANY:		RDIC	
TITLE:		M240HS 900MHZ	
MODEL NO:	RD486	REV:	2.0
PCB NO:	RD486	REV:	2.0
DRAWN:	TONY	DATED:	2007-11-06
CHECKED:		DATED:	
APPROVED:		DATED:	
SCALE:	1:1	SIZE:	A2
		SHEET:	3 OF 3