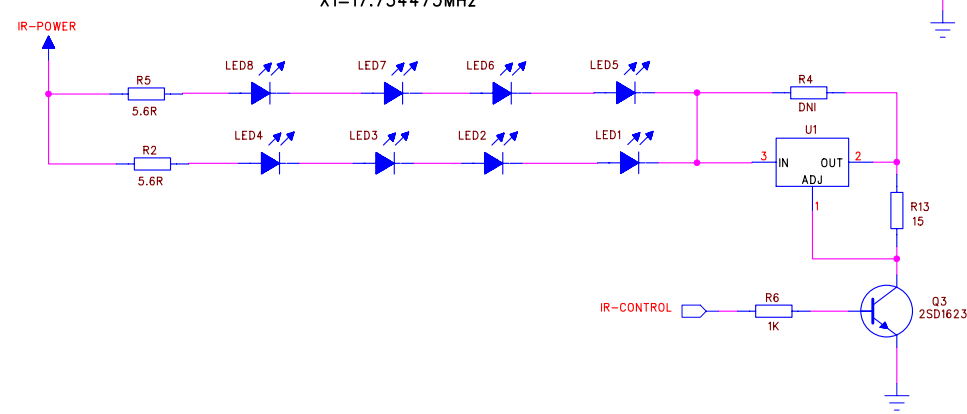
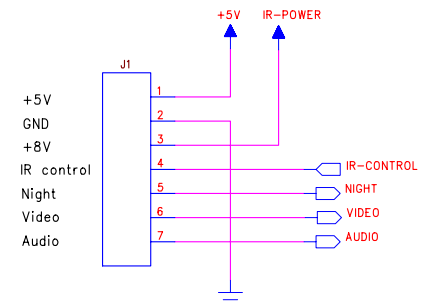
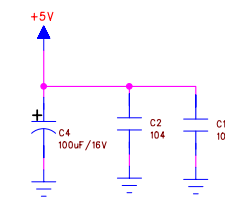


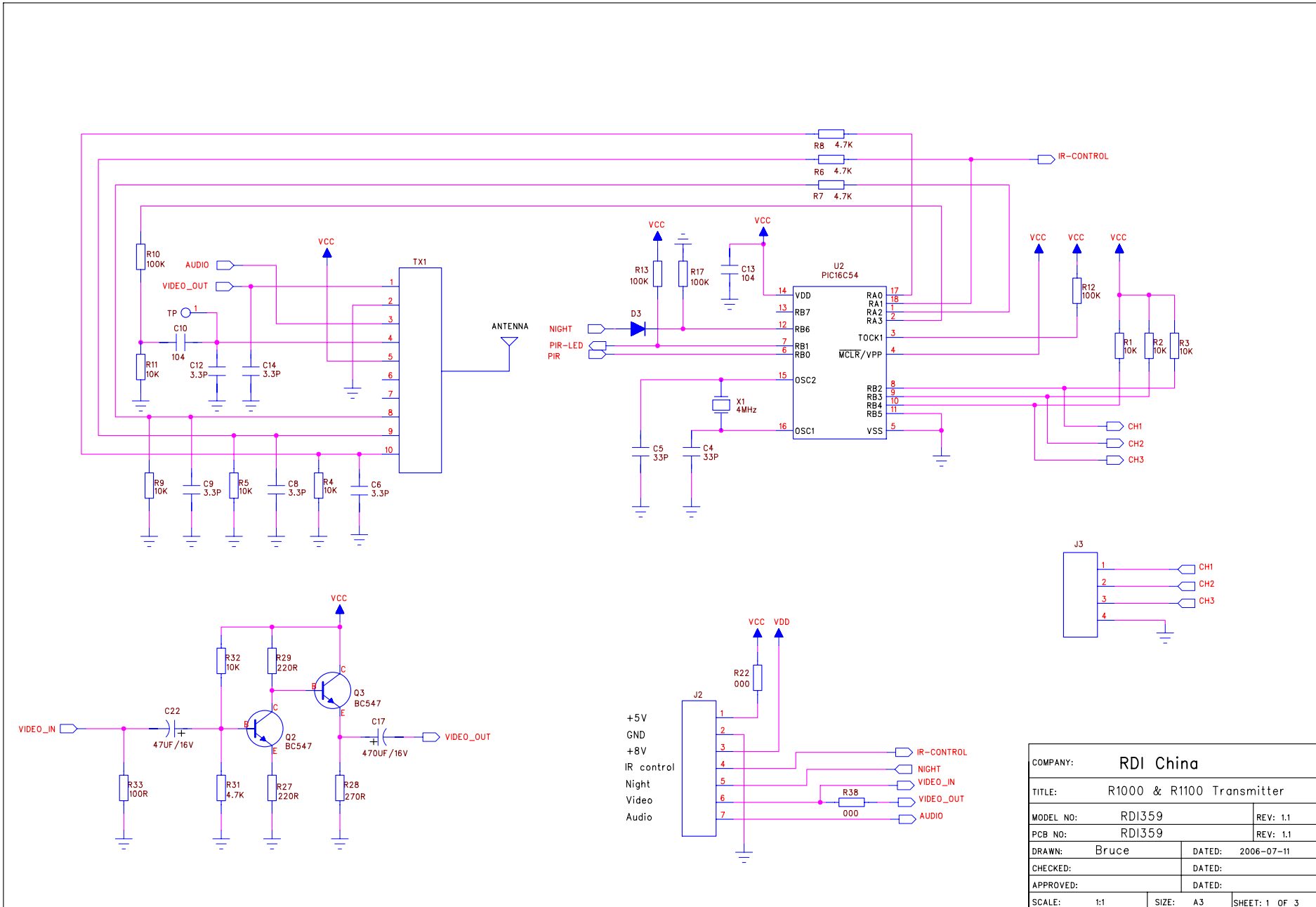
NTSC: Remove R3
X1=14.318180MHz

PAL: FIT R3
X1=17.734475MHz

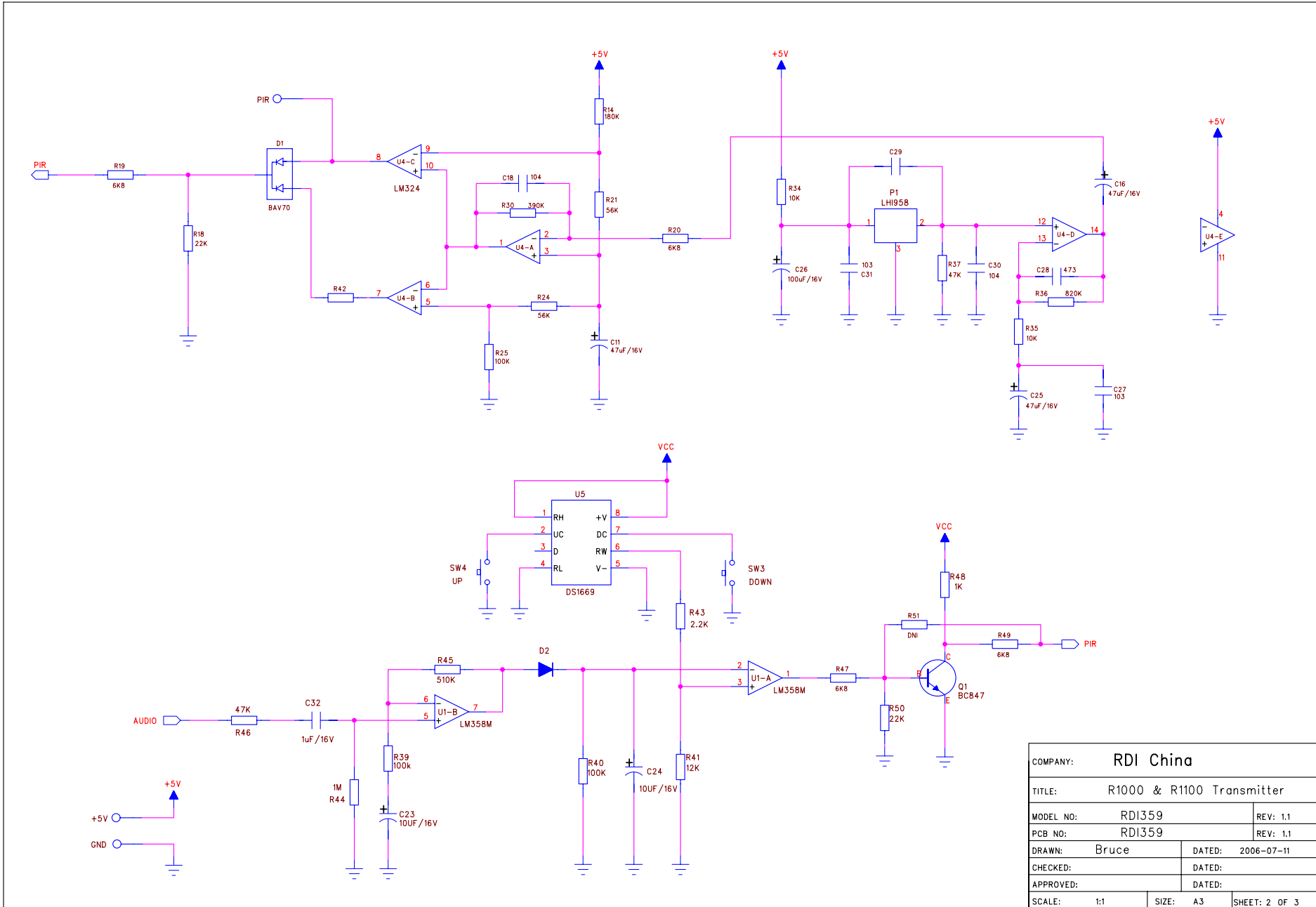


COMPANY: RDI China	
TITLE: R1000 & R1100 Camera board	
MODEL NO: RD358	REV: 1.1
PCB NO: RDI358	REV: 1.1
DRAWN: Bruce	DATED: 2006-07-11
CHECKED:	DATED:
APPROVED:	DATED:
SCALE: 1:1	SIZE: A3
SHEET: 1 OF 1	

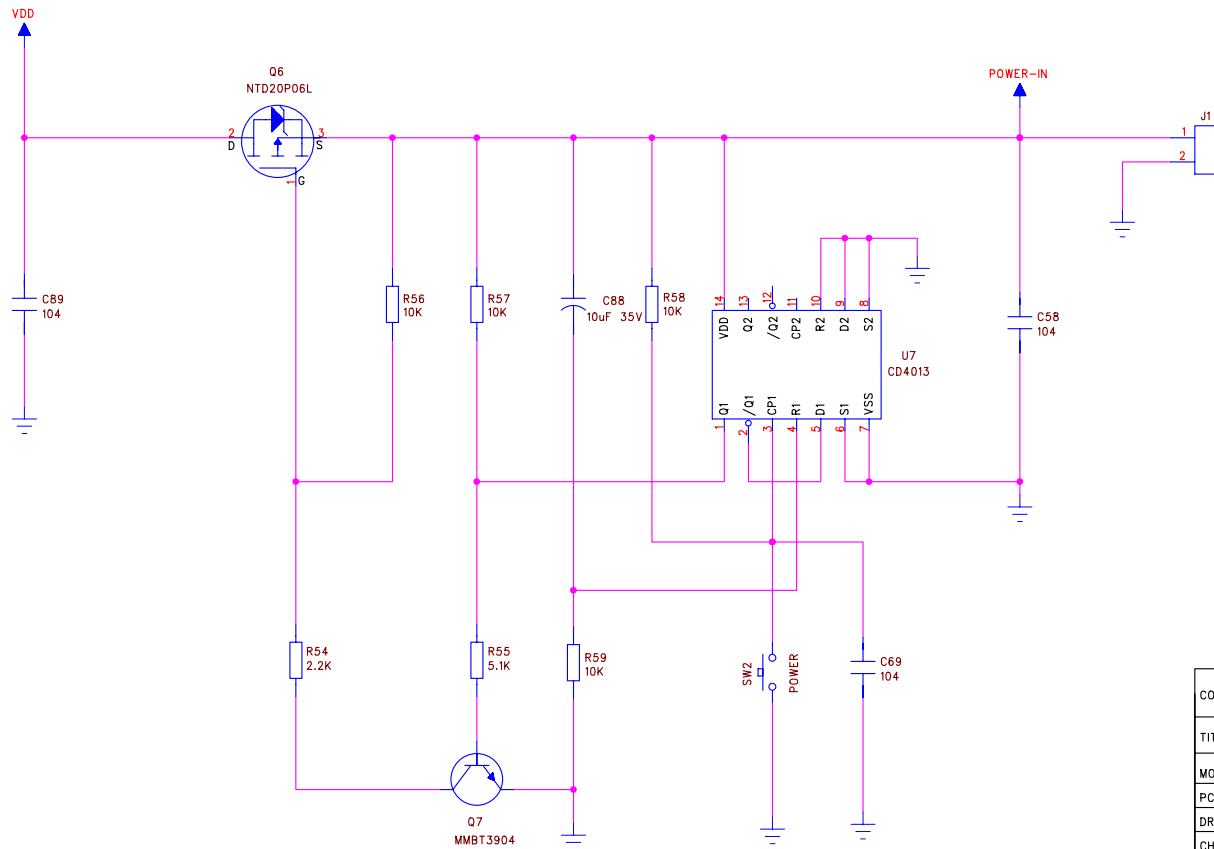
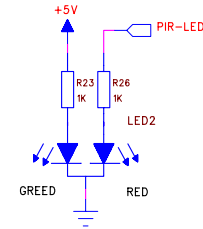
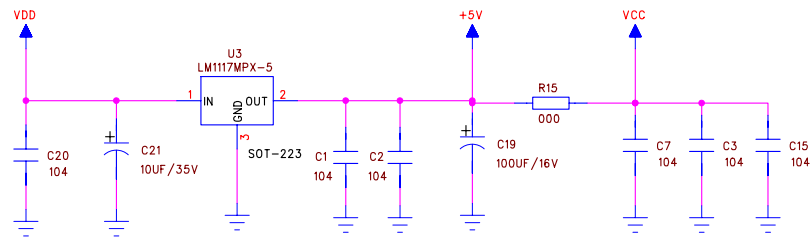




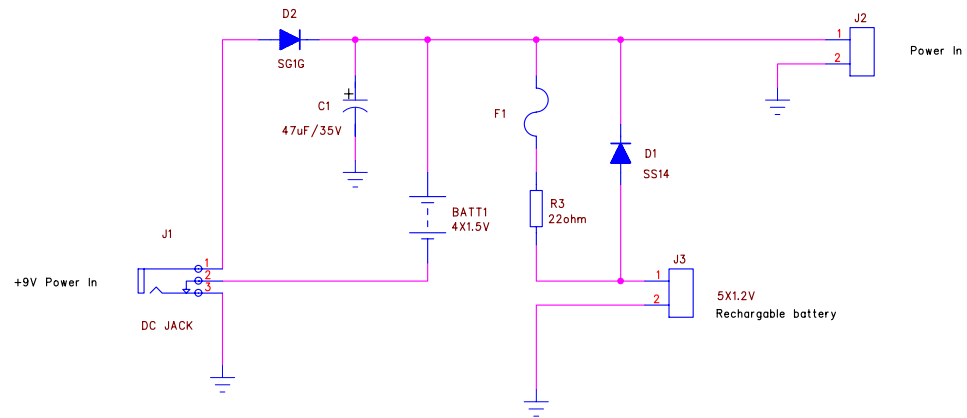
COMPANY:		RDI China	
TITLE: R1000 & R1100 Transmitter			
MODEL NO:	RDI359	REV:	1.1
PCB NO:	RDI359	REV:	1.1
DRAWN:	Bruce	DATED:	2006-07-11
CHECKED:		DATED:	
APPROVED:		DATED:	
SCALE:	1:1	SIZE:	A3
		SHEET:	1 OF 3



COMPANY:		RDI China	
TITLE:		R1000 & R1100 Transmitter	
MODEL NO:	RDI359	REV:	1.1
PCB NO:	RDI359	REV:	1.1
DRAWN:	Bruce	DATED:	2006-07-11
CHECKED:		DATED:	
APPROVED:		DATED:	
SCALE:	1:1	SIZE:	A3
		SHEET: 2 OF 3	



COMPANY:	RDI China		
TITLE:	R1000 & R1100 Transmitter		
MODEL NO:	RDI359	REV:	1.1
PCB NO:	RDI359	REV:	1.1
DRAWN:	Bruce	DATED:	2006-07-11
CHECKED:		DATED:	
APPROVED:		DATED:	
SCALE:	1:1	SIZE:	A3
		SHEET:	3 OF 3



COMPANY:		RDI China	
TITLE: R1000 & R1100 Transmitter			
MODEL NO:	RDI360	REV:	1.1
PCB NO:	RDI360	REV:	1.1
DRAWN:	Bruce	DATED:	2006-07-11
CHECKED:		DATED:	
APPROVED:		DATED:	
SCALE:	1:1	SIZE:	A3 SHEET: 1 OF 1