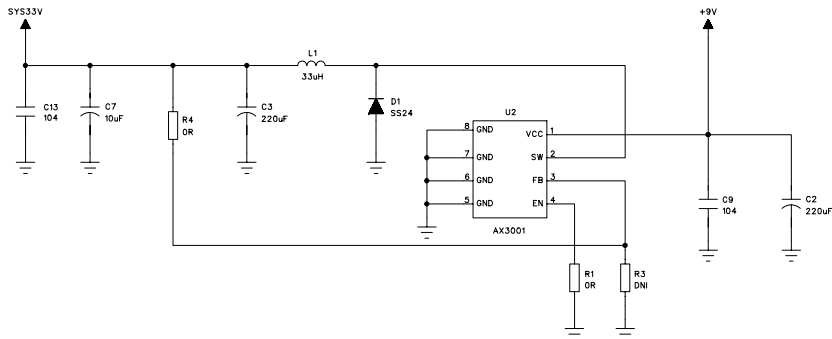
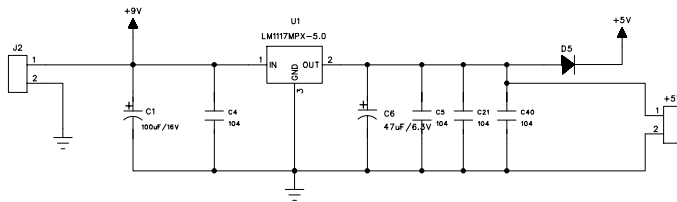
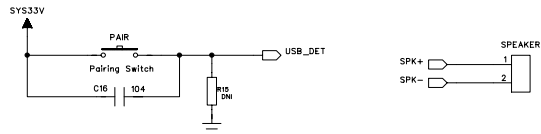
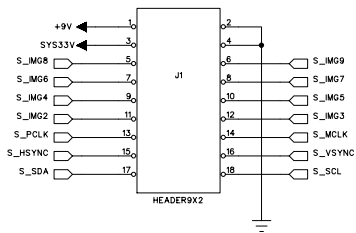
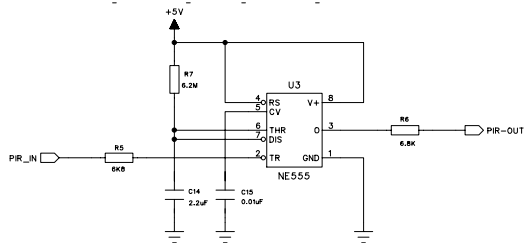
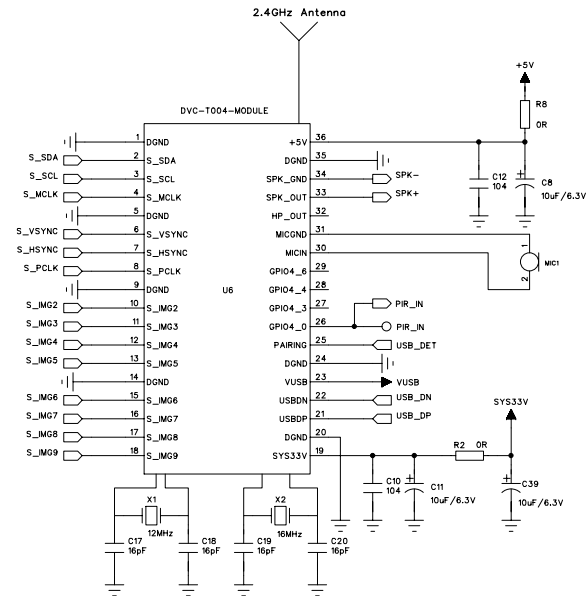


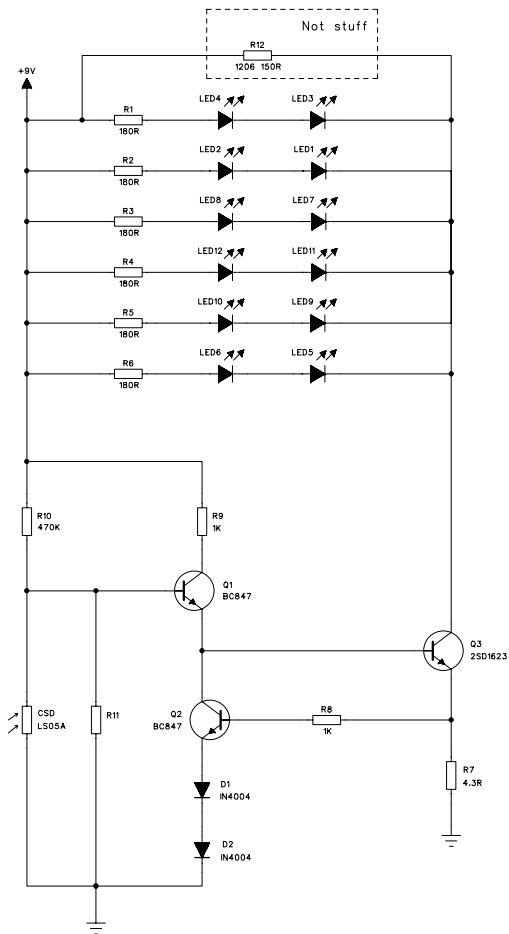
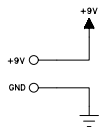
COMPANY: RDI	
TITLE: CA630 SR 2.4G Wireless Digital Camera	
MODEL NO: Sensor Board	REV: 1.1
PCB NO: RDI746	REV: 1.1
DRAWN: Albert	DATED: 2009-06-12
CHECKED:	DATED:
APPROVED:	DATED:
SCALE: 1:1	SIZE: A3
SHEET: 1 OF 1	



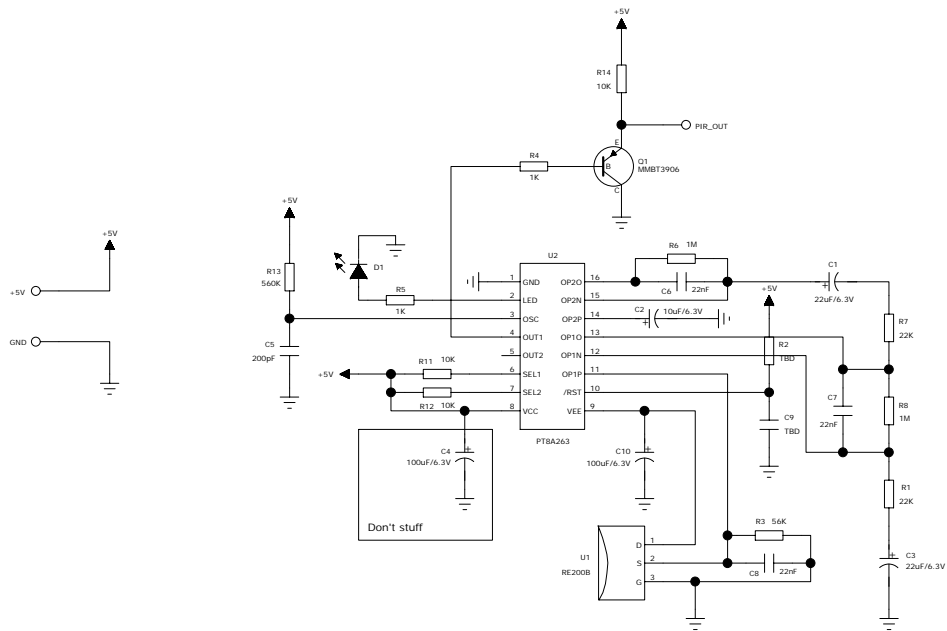
COMPANY: RDI	
TITLE: CA630 SR 2.4G Wireless Digital Camera	
MODEL NO: TX Module Board	REV: 1.2
PCB NO: RD1747	REV: 1.2
DRAWN: Albert	DATED: 2009-06-18
CHECKED:	DATED:
APPROVED:	DATED:
SCALE: 1:1	SIZE: A3
SHEET: 1 OF 2	



COMPANY:		RDI	
TITLE: CA630 SR 2.4G Wireless Digital Camera			
MODEL NO:	TX Module Board	REV: 1.2	
PCB NO:	RDI747	REV: 1.2	
DRAWN:	Albert	DATED:	2009-06-18
CHECKED:		DATED:	
APPROVED:		DATED:	
SCALE:	1:1	SIZE:	A3
		SHEET: 2 OF 2	



COMPANY: RDI		
TITLE: CA630 SR 2.4G Wireless Digital Camera		
MODEL NO: IR LEDs Board	REV: 1.1	
PCB NO: RD1748	REV: 1.1	
DRAWN: Albert	DATED: 2009-07-10	
CHECKED:	DATED:	
APPROVED:	DATED:	
SCALE: 1:1	SIZE: A3	SHEET: 1 OF 1



COMPANY: RDI	
TITLE: CA630 SR 2.4G Wireless Digital Camera	
MODEL NO: PIR Board	REV: 1.1
PCB NO: RDI749	REV: 1.1
DRAWN: Albert	DATED: 2009-05-21
CHECKED:	DATED:
APPROVED:	DATED:
SCALE: 1:1	SIZE: A3
SHEET: 1 OF 1	