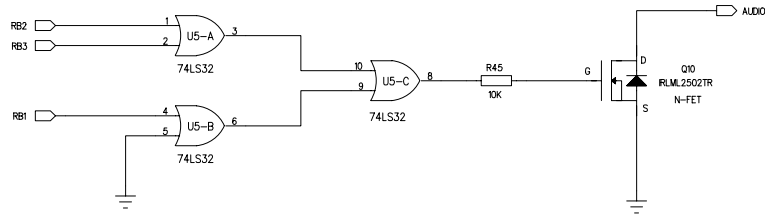
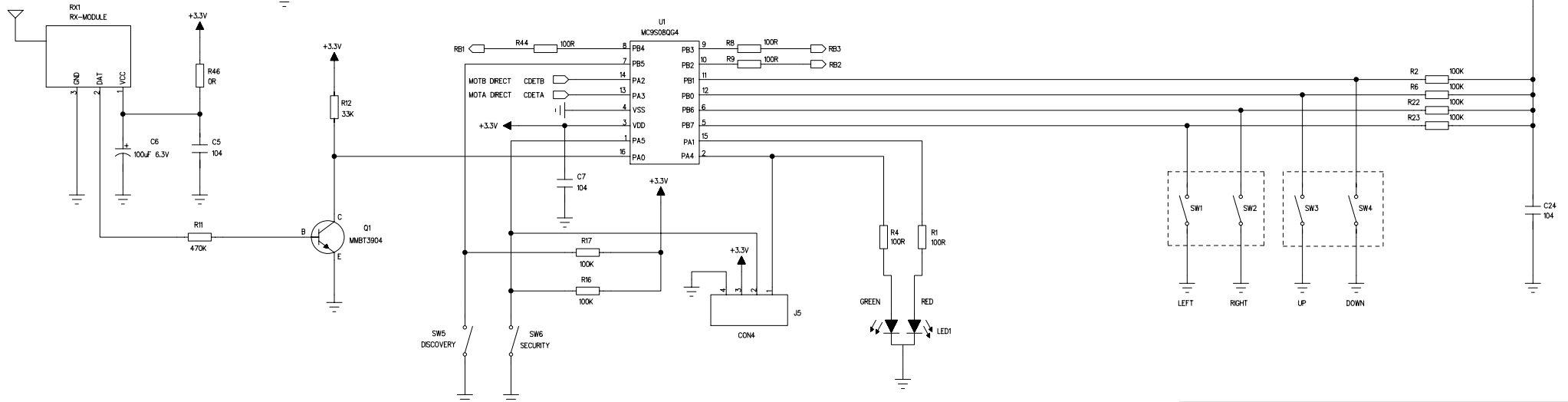
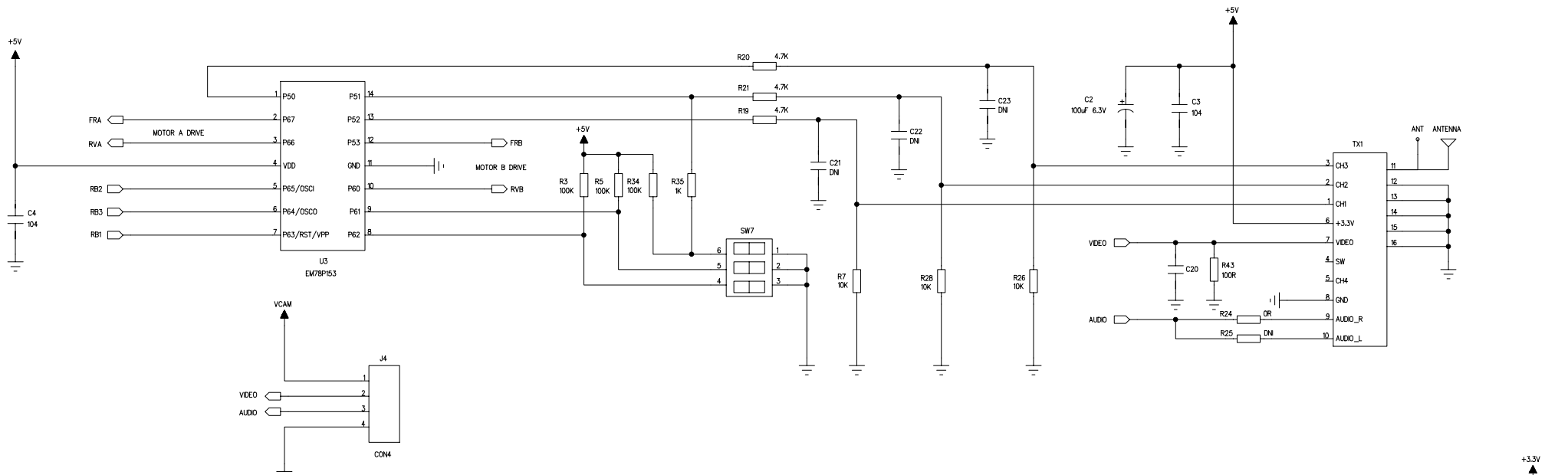
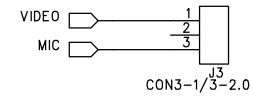
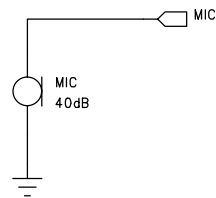
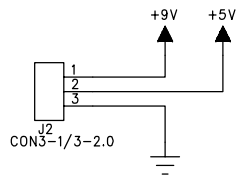
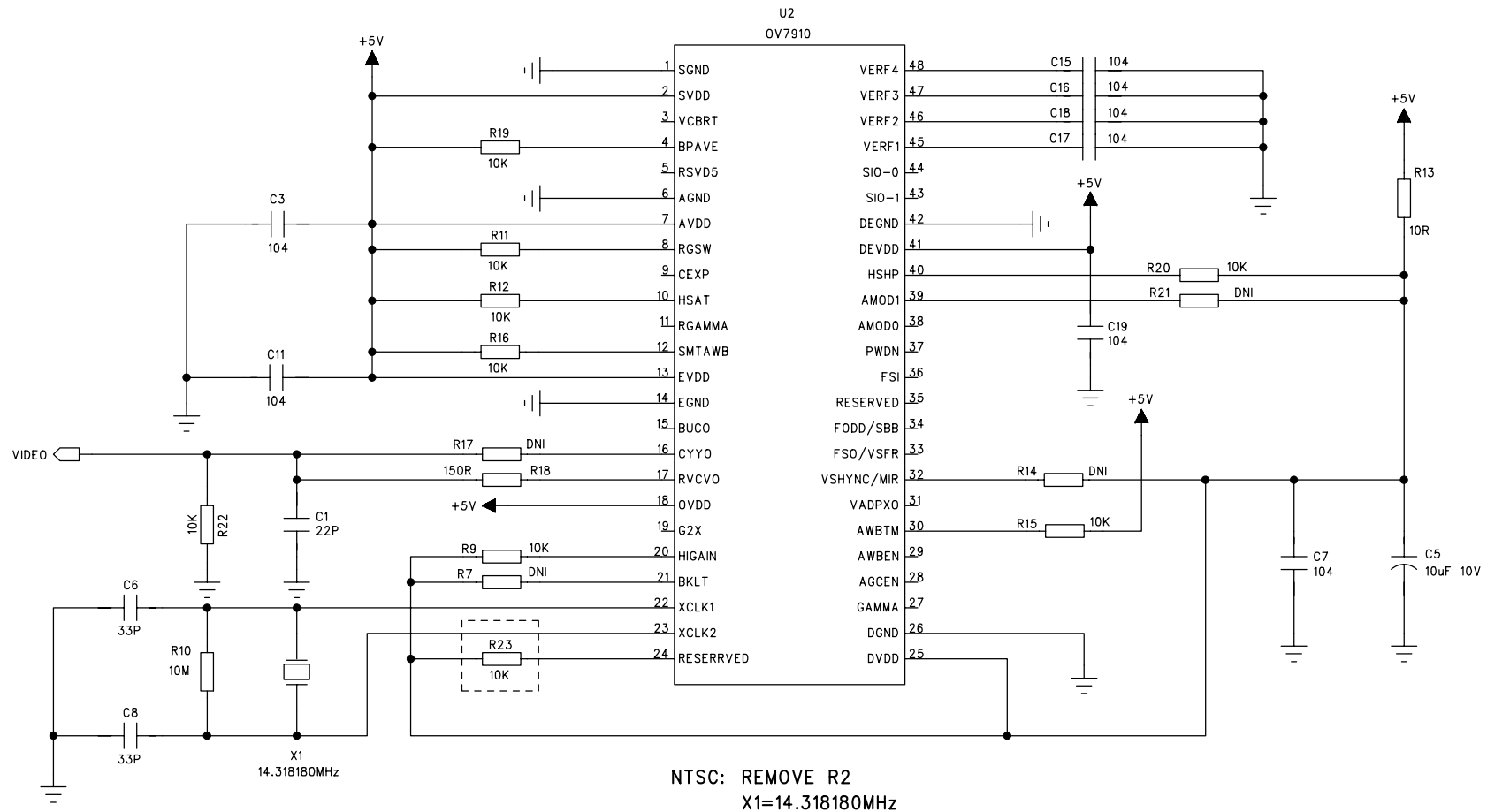


COMPANY:		TDI	
TITLE: PTW CAMERA TX BOARD			
MODEL NO:	RD1406	REV:	2.1
PCB NO:	RD1406	REV:	2.1
DRAWN:	Albert	DATED:	2007-08-31
CHECKED:	TONY	DATED:	
APPROVED:		DATED:	
SCALE:	1:1	SIZE:	A2
		SHEET: 1 OF 2	

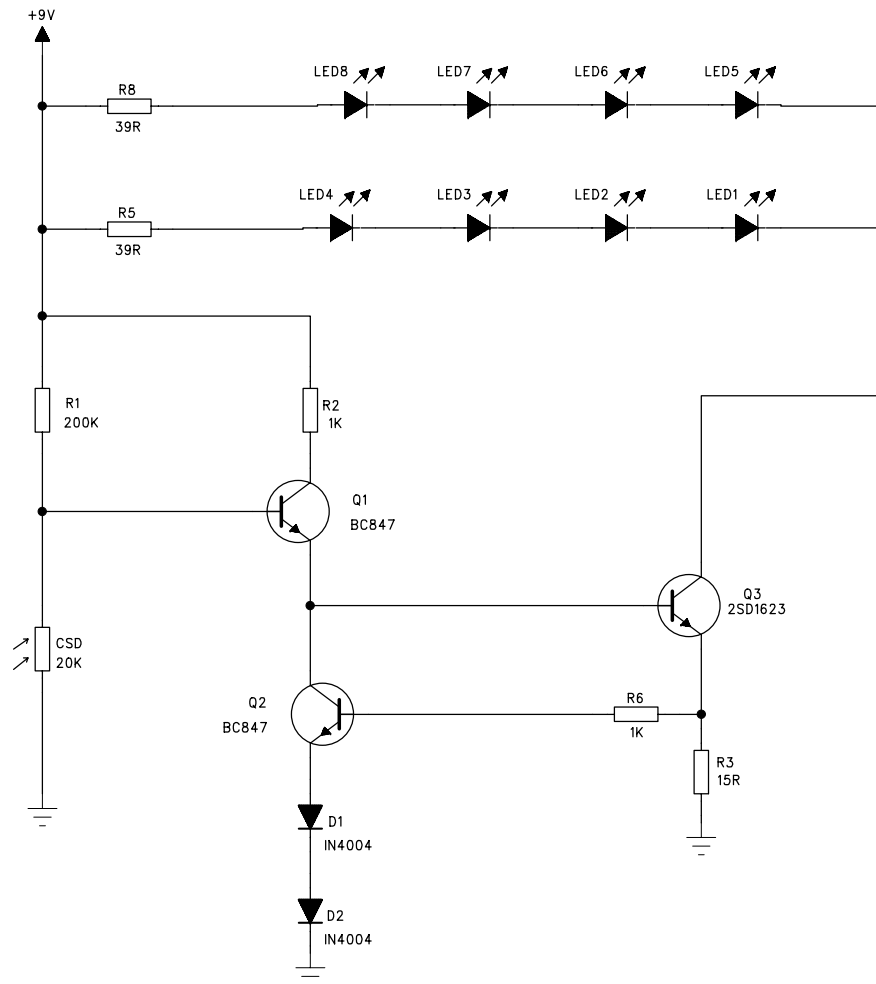


GREEN LED ON/NORMAL
 RED LED ON/LIMIT SWITCH ON
 RED LED FLASH/OVER CURRENT
 GREEN LED OFF/CAMERA PRIVACY
 GREEN LED FLASH/VIDEO TRIGGER

COMPANY: RDI	
TITLE: PTW CAMERA TX BOARD	
MODEL NO: RD1406	REV: 2.1
PCB NO: RD1406	REV: 2.1
DRAWN: Albert	DATED: 2007-08-31
CHECKED: Tony	DATED:
APPROVED:	DATED:
SCALE: 1:1	SHEET: 2 OF 2



COMPANY:		RDI	
TITLE: CA520 CAMERA MAIN BOARD			
MODEL NO:	RD1495A	REV: 1.0	
PCB NO:	RD1495A	REV: 1.0	
DRAWN:	JOSH	DATED:	2007-6-28
CHECKED:		DATED:	
APPROVED:		DATED:	
SCALE:	1:1	SIZE:	A3
		SHEET:	1 OF 1



COMPANY:		RDI	
TITLE: CA520 CAMERA BOARD			
MODEL NO:	RD1495A	REV:	1.0
PCB NO:	RD1495A	REV:	1.0
DRAWN:	JOSH	DATED:	2007-6-28
CHECKED:		DATED:	
APPROVED:		DATED:	
SCALE:	1:1	SIZE:	A3
		SHEET:	1 OF 1