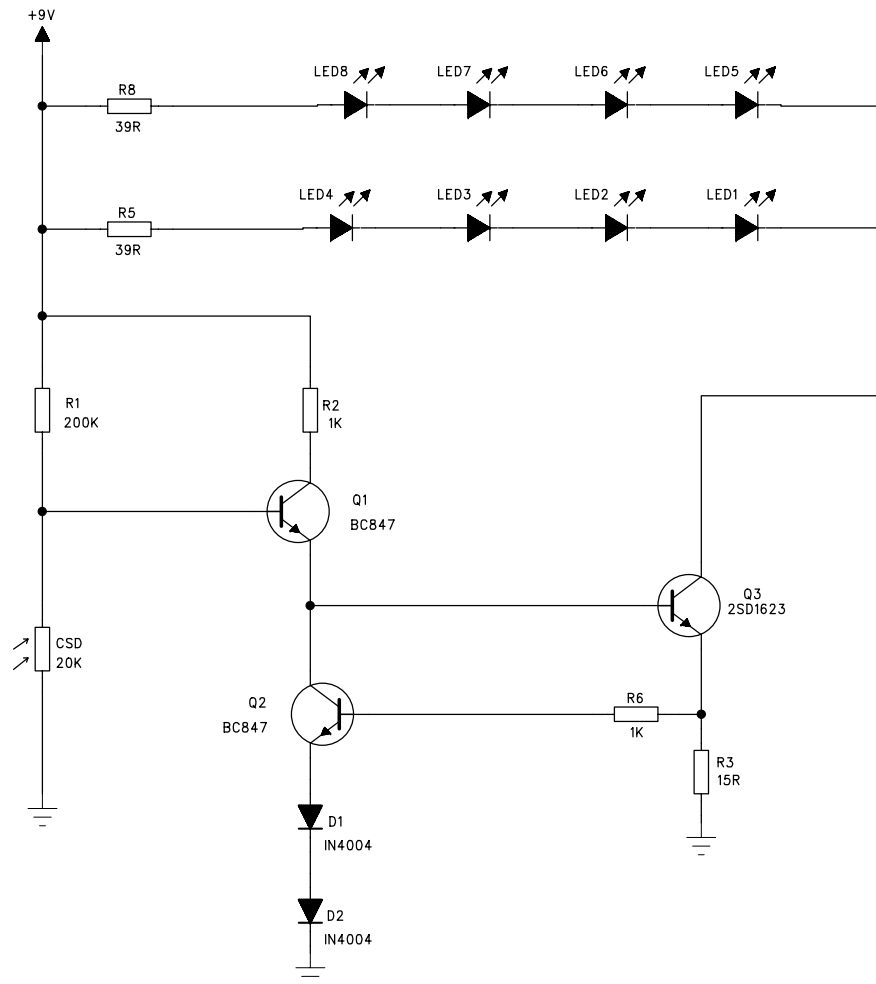
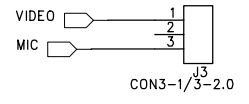
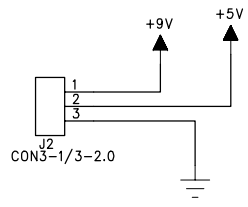
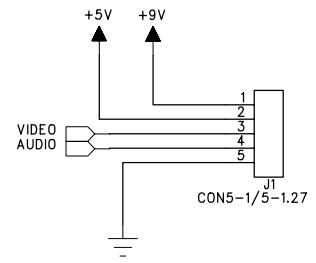
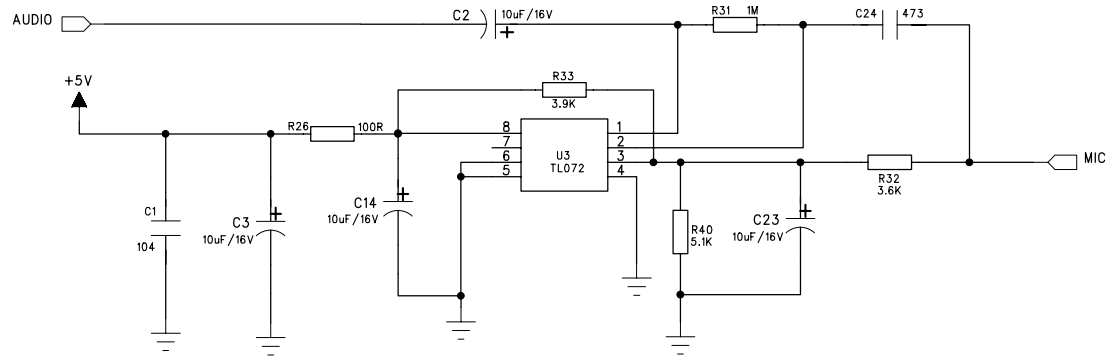


COMPANY:		RDI	
TITLE: CA520 CAMERA MAIN BOARD			
MODEL NO:	RD1495A	REV: 1.0	
PCB NO:	RD1495A	REV: 1.0	
DRAWN:	JOSH	DATED:	2007-6-28
CHECKED:		DATED:	
APPROVED:		DATED:	
SCALE:	1:1	SIZE:	A3
		SHEET:	1 OF 1



COMPANY:		RDI	
TITLE: CA520 CAMERA BOARD			
MODEL NO:	RD1495A	REV:	1.0
PCB NO:	RD1495A	REV:	1.0
DRAWN:	JOSH	DATED:	2007-6-28
CHECKED:		DATED:	
APPROVED:		DATED:	
SCALE:	1:1	SIZE:	A3
		SHEET: 1 OF 1	



COMPANY: RDIC			
TITLE: CA520 Audio			
MODEL NO: RD1495B		REV: 1.0	
DRAWN: Josh		DATED: 2006-12-25	
CHECKED:		DATED:	
APPROVED:		DATED:	
SCALE: 1:1	SIZE: A3	SHEET: 1 OF 1	

