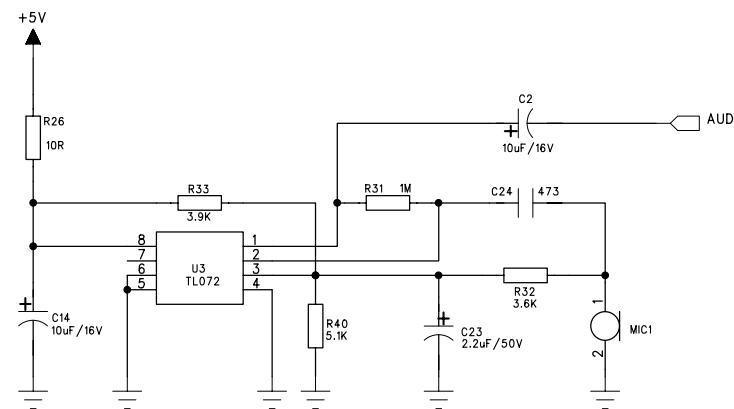
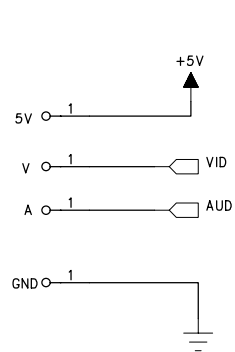
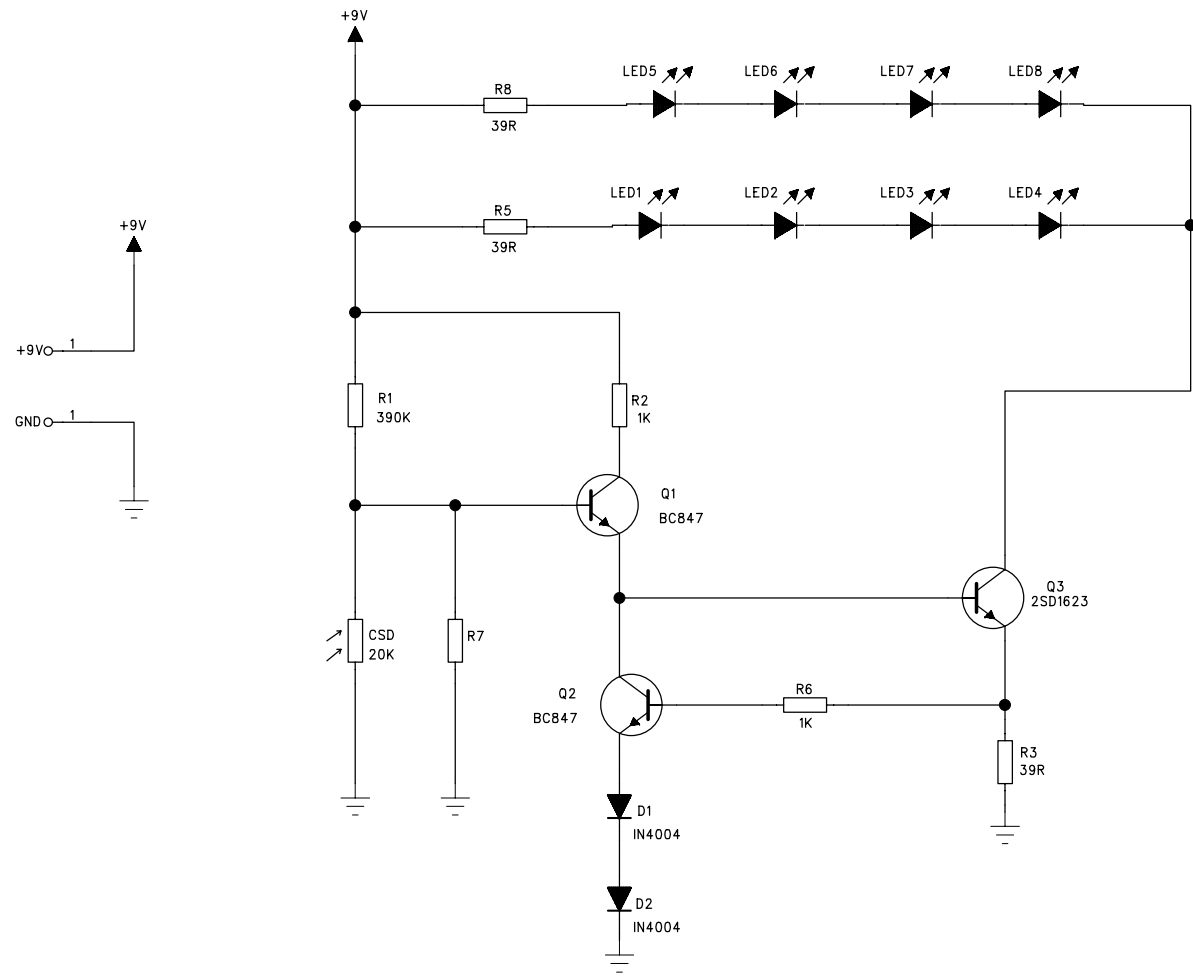


NTSC: Remove R3
X1=14.318180MHz

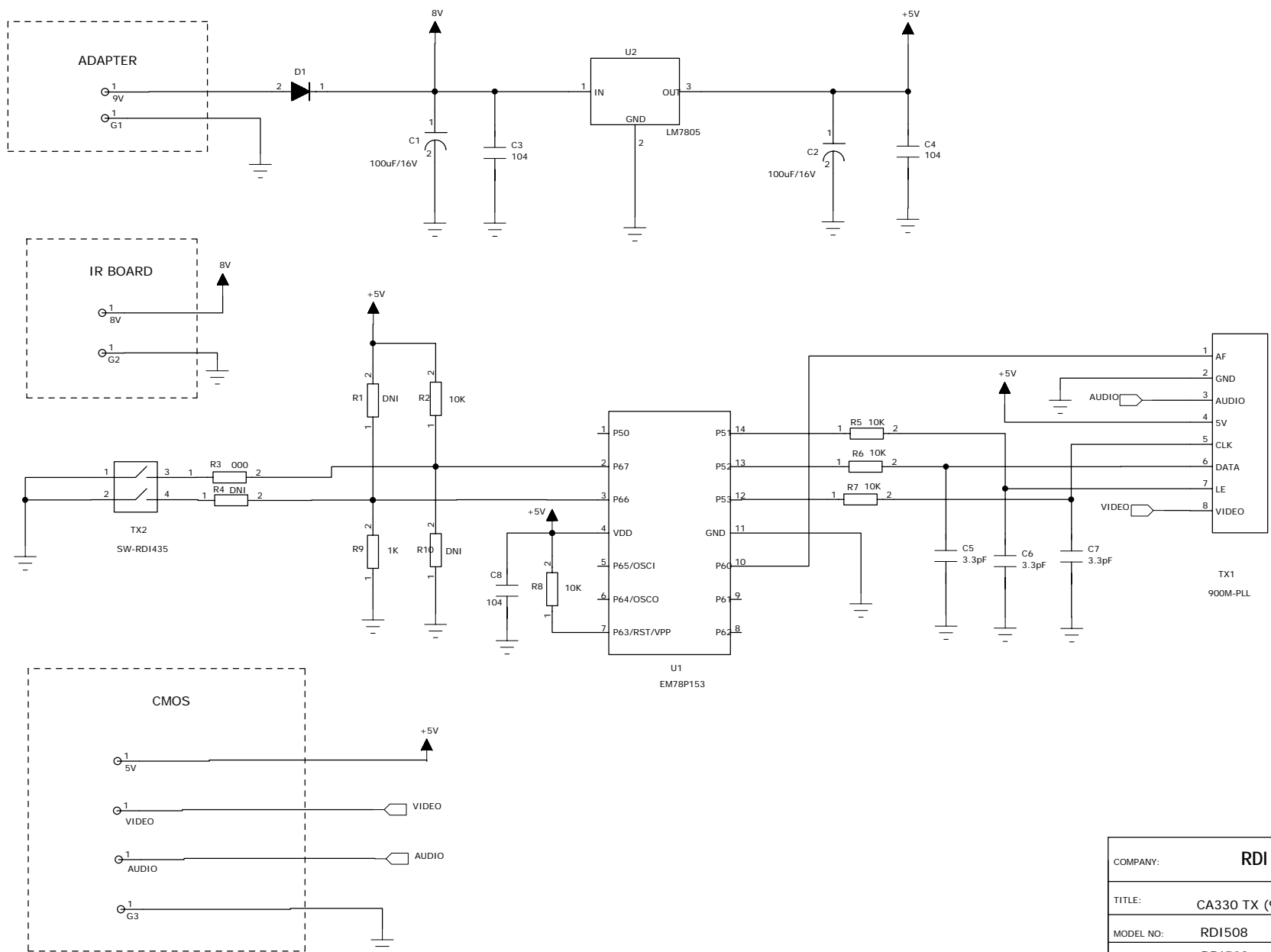
PAL: FIT R3
X1=17.734475MHz



COMPANY: RDI China	
TITLE: A1 Cam CMOS Board	
MODEL NO: RDI411	REV:
PCB NO: RDI411	REV: 1.0
DRAWN: Jsoh	DATED: 2006-10-31
CHECKED:	DATED:
APPROVED:	DATED:
SCALE: 1:1	SIZE: A3
SHEET: 1 OF 1	



COMPANY: RDIC	
TITLE: A1 Camera IR Board	
MODEL NO: RDI412	REV: 1.0
DRAWN: Josh	DATED: 2006-11-1
CHECKED:	DATED:
APPROVED:	DATED:
SCALE: 1:1	SIZE: A3 SHEET: 1 OF 1



COMPANY: RDI China			
TITLE: CA330 TX (900MHz/PLL)			
MODEL NO:	RDI508	REV:	1.1
PCB NO:	RDI508	REV:	1.1
DRAWN:	JOSH	DATED:	2007-08-07
CHECKED:		DATED:	
APPROVED:		DATED:	
SCALE:	1:1	SIZE:	A3
		SHEET:	1 OF 1