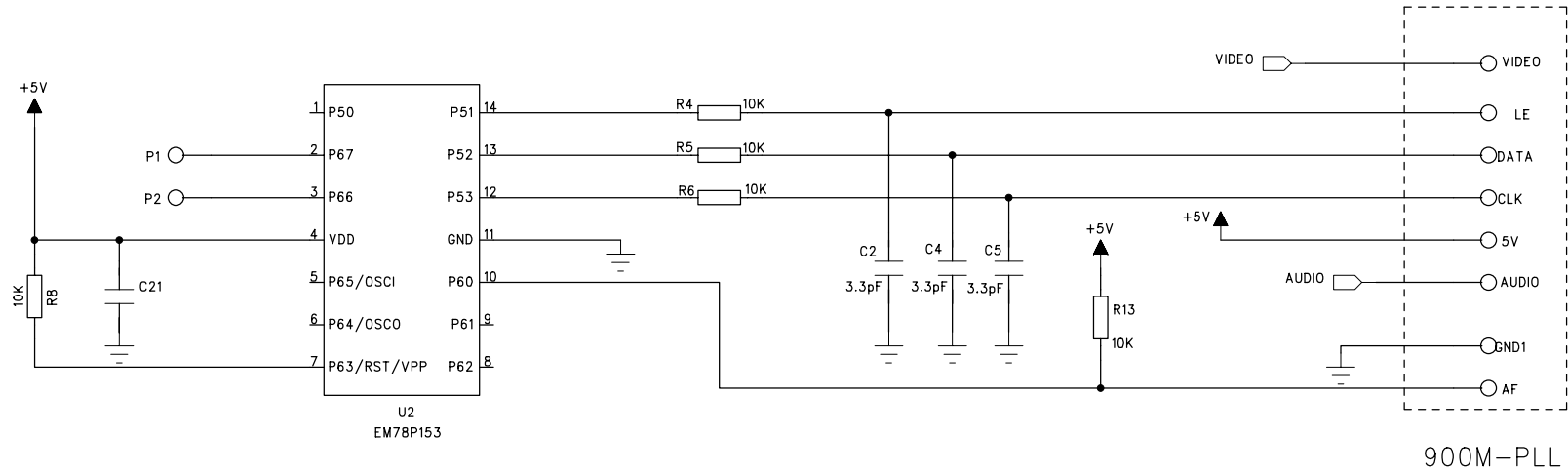
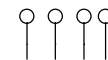
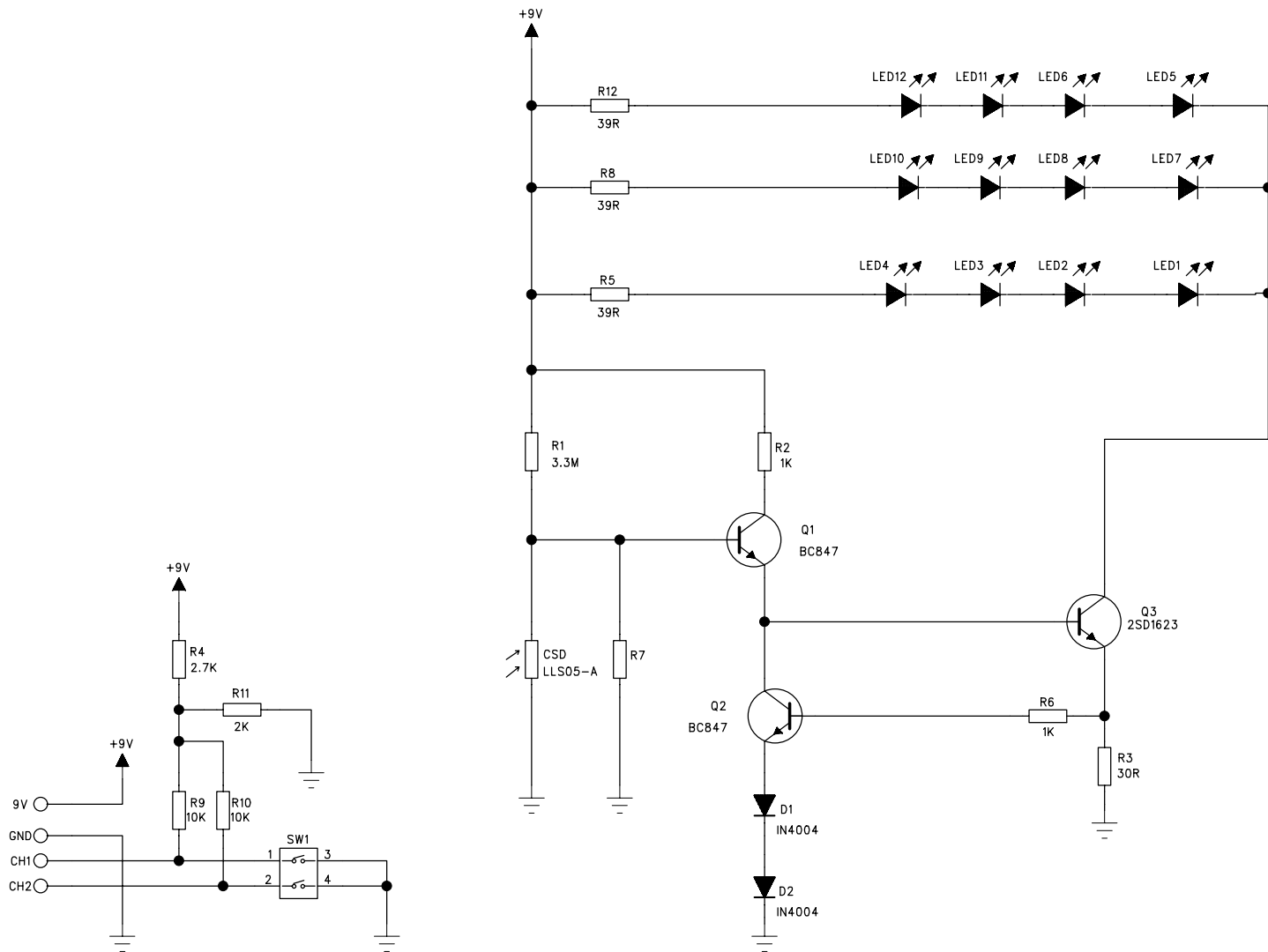


COMPANY: RDI China	
TITLE: CA300 CMOS/900M-PLL	
MODEL NO: RDI496	REV:
PCB NO: RDI496	REV: 1.0
DRAWN: JOSH	DATED: 2007-06-29
CHECKED:	DATED:
APPROVED:	DATED:
SCALE: 1:1	SIZE: A3
SHEET: 1 OF 2	



900M-PLL

COMPANY:		RDI China	
TITLE:		CA300 CMOS/CONTROL 900M-PLL	
MODEL NO:	RD1496	REV:	
PCB NO:	RD1496	REV:	1.0
DRAWN:	JOSH	DATED:	2007-06-29
CHECKED:		DATED:	
APPROVED:		DATED:	
SCALE:	1:1	SIZE:	A3
		SHEET: 2 OF 2	



COMPANY: <b>RDI China</b>	
TITLE: <b>IR LED CONTROL</b>	
MODEL NO: <b>RDI385</b>	REV: 1.1
DRAWN: <b>Bruce</b>	DATED: 2006-07-01
CHECKED:	DATED:
APPROVED:	DATED:
SCALE: 1:1	SIZE: A3 SHEET: 1 OF 1