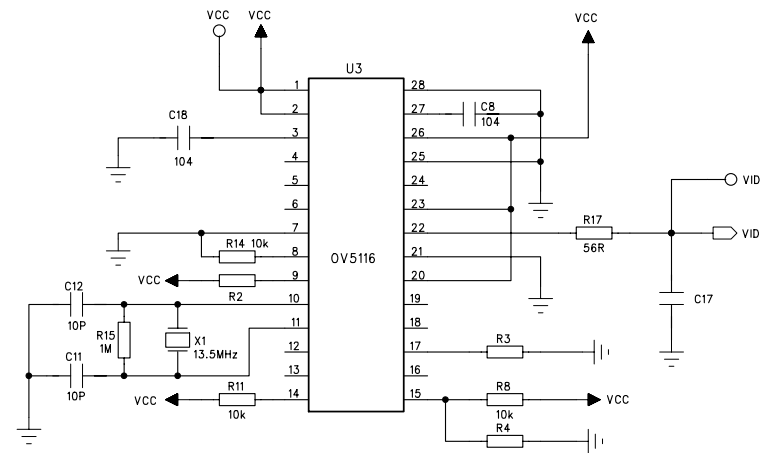
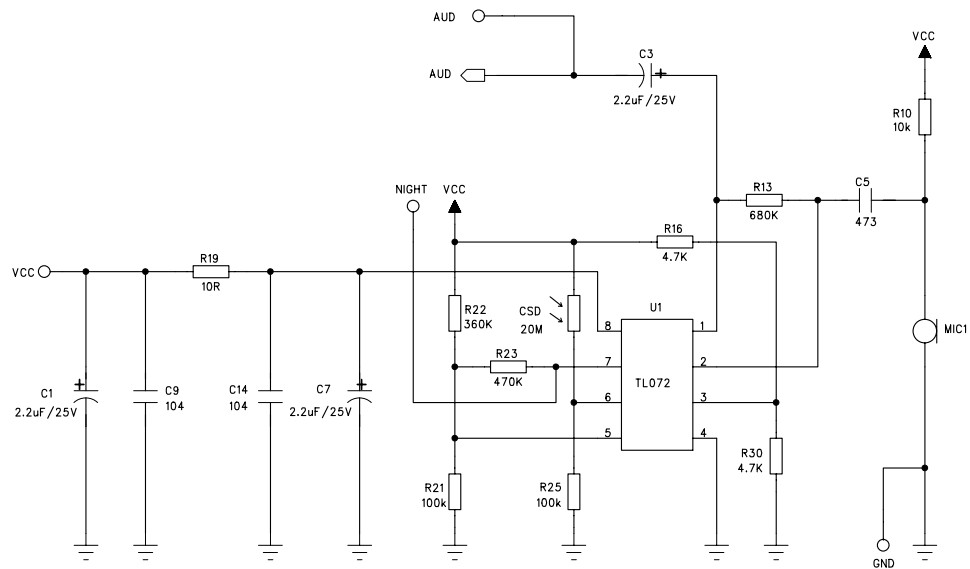


COMPANY: RDIC	
TITLE: Baby Camera TX	
MODEL NO: RDI279	REV: 1.1
DRAWN: IVAN	DATED: 2005-01-03
CHECKED:	DATED:
APPROVED:	DATED:
SCALE: 1:1	SIZE: A3 SHEET: 1 OF 1



EIA: Remove R14
X1=12.288MHz

CCIR: Fit R14
X1=13.500MHz

COMPANY:	RDIC		
TITLE:	BABYCAM HEADER		
MODEL NO:	RD1296	REV:	1.1
DRAWN:	IVAN	DATED:	2005-05-17
CHECKED:		DATED:	
APPROVED:		DATED:	
SCALE:	1:1	SIZE:	A3 SHEET: 1 OF 1