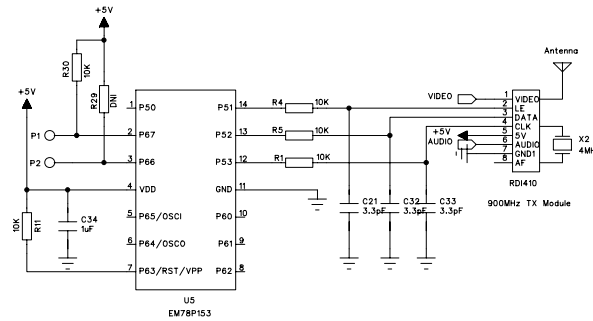
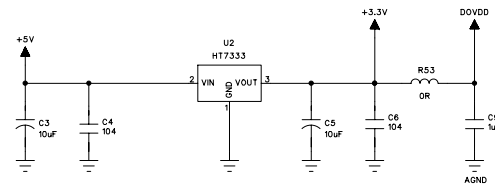
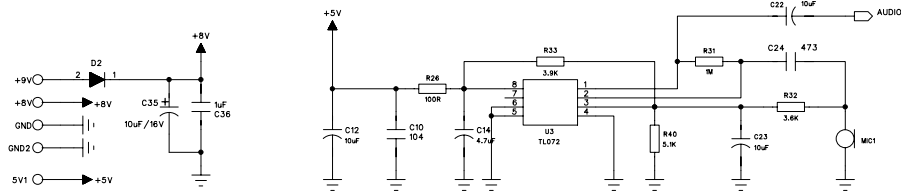
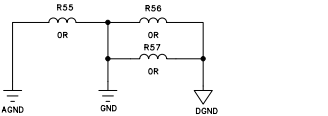


### CAMERA POWER SUPPLY



### CAMERA CONTROL



### CAMERA AUDIO

COMPANY:		<b>RDI</b>	
TITLE: <b>CA190 Wireless Camera</b>			
PCB NO: RD1647	REV: 1.0		
MODEL NO: RD1647	REV: 1.0		
DRAWN: Fel'n	DATED: 2008-06-05		
CHECKED:	DATED:		
APPROVED:	DATED:		
SCALE: 1:1	SIZE: A3	SHEET: 1 OF 1	