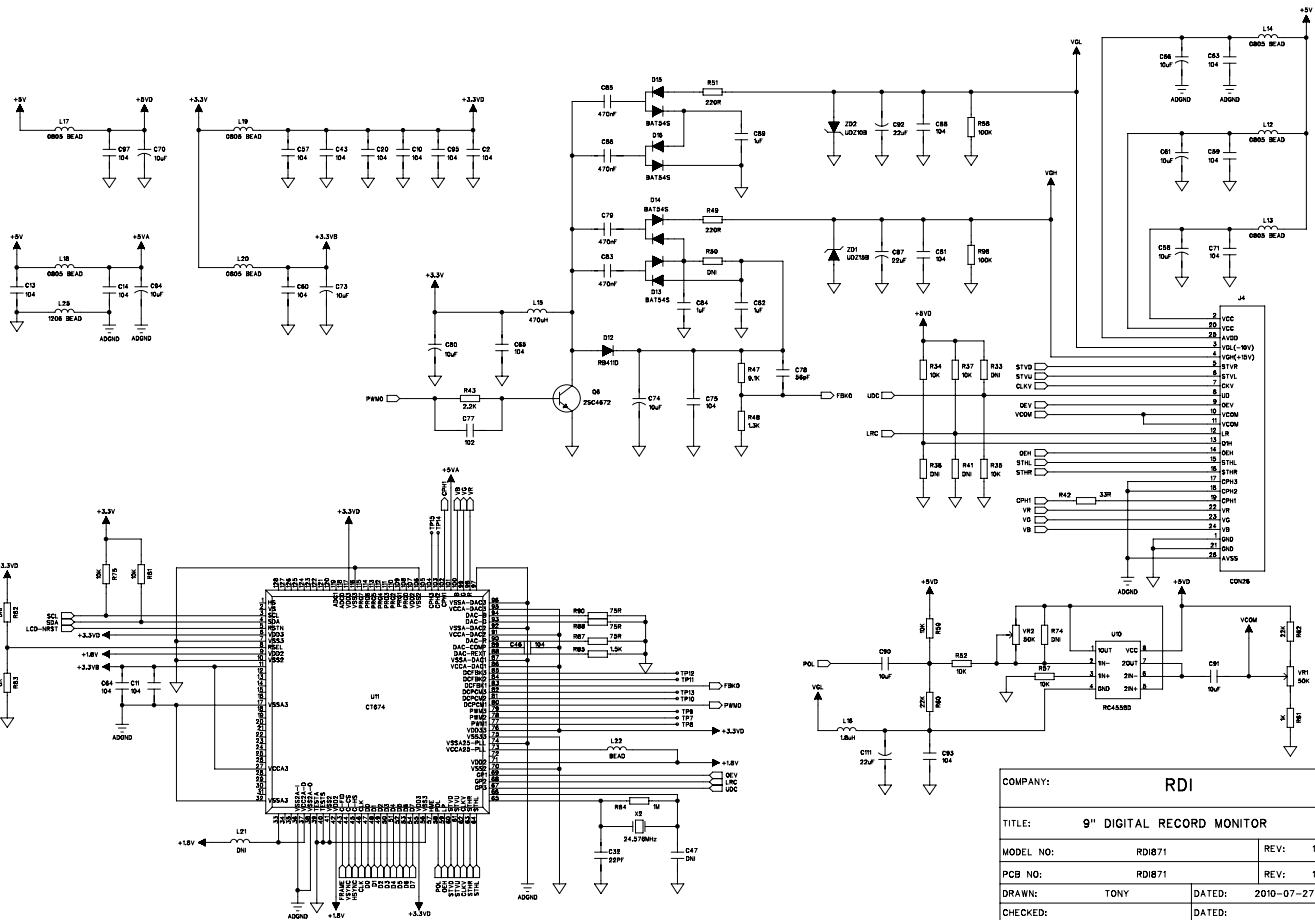
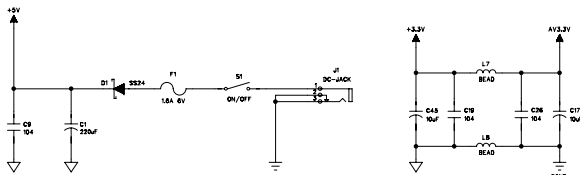
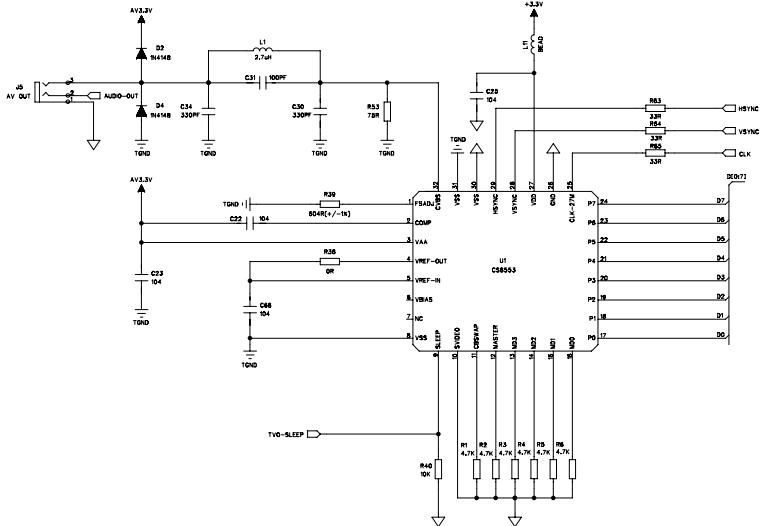
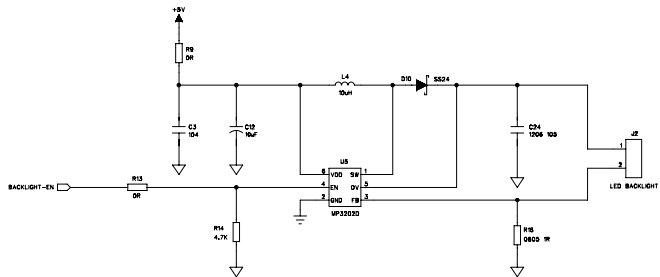
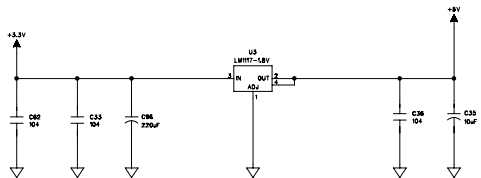
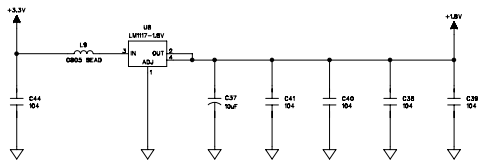


COMPANY:		RDI	
TITLE: 9" DIGITAL RECORD MONITOR			
MODEL NO:	RDI871	REV:	1.1
PCB NO:	RDI871	REV:	1.1
DRAWN:	TONY	DATED:	2010-07-27
CHECKED:		DATED:	
APPROVED:		DATED:	
SCALE:	1:1	SIZE:	A2
		SHEET:	1 OF 3



COMPANY:		<b>RDI</b>	
TITLE: <b>9" DIGITAL RECORD MONITOR</b>			
MODEL NO:	RDI871	REV:	1.1
PCB NO:	RDI871	REV:	1.1
DRAWN:	TONY	DATED:	2010-07-27
CHECKED:		DATED:	
APPROVED:		DATED:	
SCALE:	1:1	SIZE:	A2
		SHEET:	2 OF 3



COMPANY:		RDI	
TITLE:		9" DIGITAL RECORD MONITOR	
MODEL NO:	RDIB71	REV:	1.1
PCB NO:	RDIB71	REV:	1.1
DRAWN:	TONY	DATED:	2010-07-27
CHECKED:		DATED:	
APPROVED:		DATED:	
SCALE:	1:1	SIZE:	A2
		SHEET:	3 OF 3