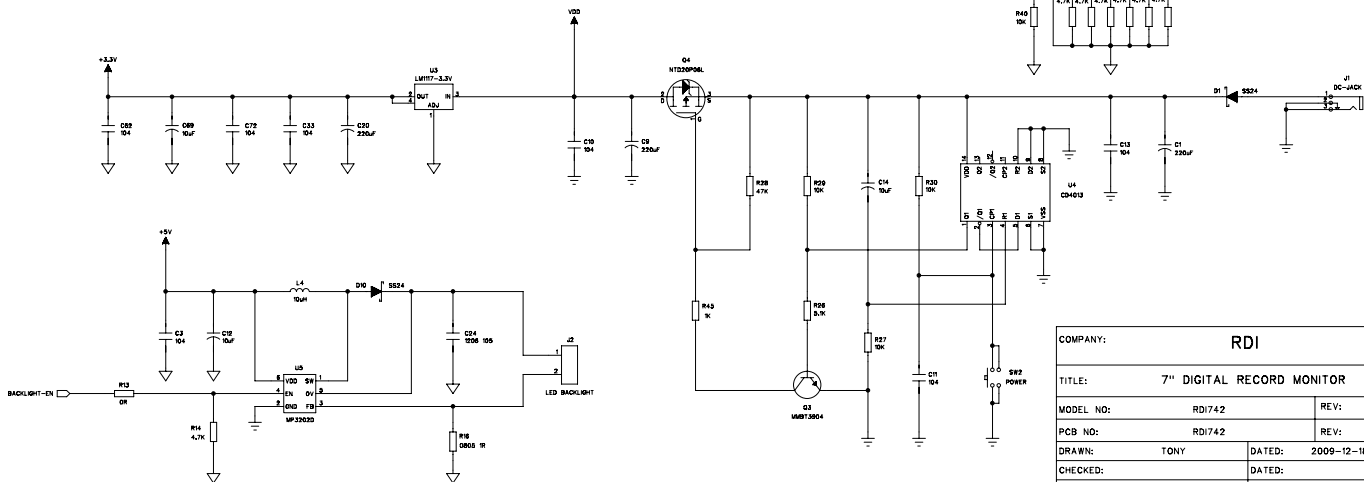
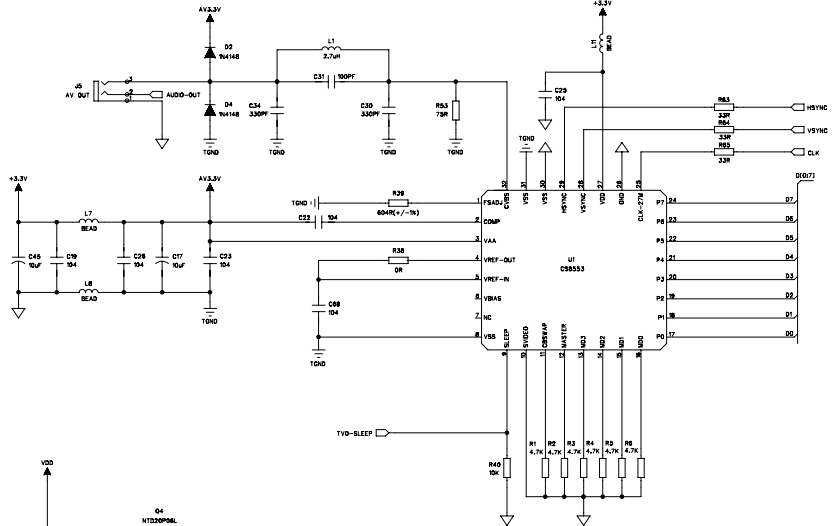
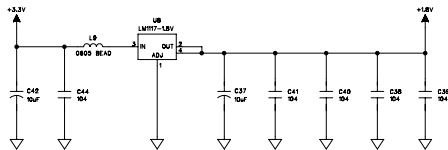
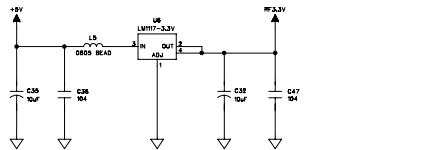


COMPANY:		RDI	
TITLE: 7" DIGITAL RECORD MONITOR			
MODEL NO:	RD1742	REV:	2.0
PCB NO:	RD1742	REV:	2.0
DRAWN:	TONY	DATED:	2009-12-18
CHECKED:		DATED:	
APPROVED:		DATED:	
SCALE:	1:1	SIZE:	A2
		SHEET:	2 OF 3



COMPANY:		RDI	
TITLE: 7" DIGITAL RECORD MONITOR			
MODEL NO:	RDI742	REV:	2.0
PCB NO:	RDI742	REV:	2.0
DRAWN:	TONY	DATED:	2009-12-18
CHECKED:		DATED:	
APPROVED:		DATED:	
SCALE:	1:1	SIZE:	A2
		SHEET:	3 OF 3