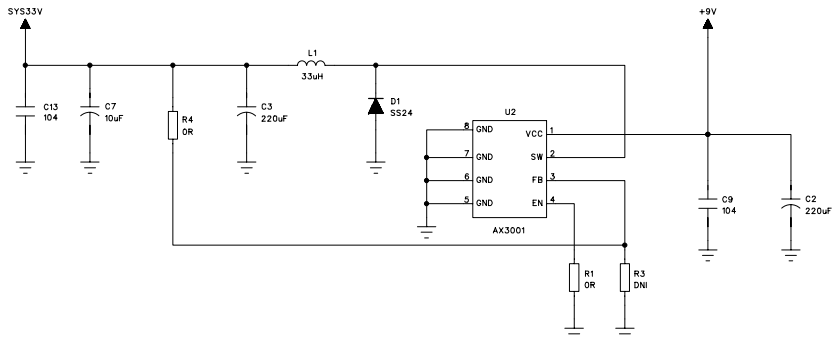
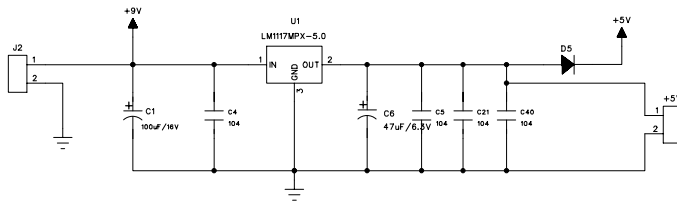
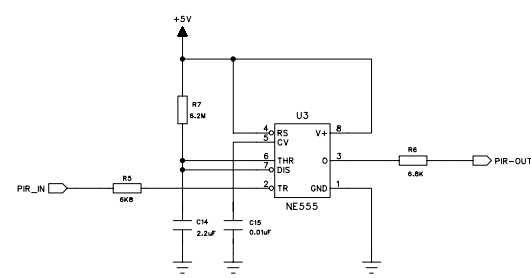
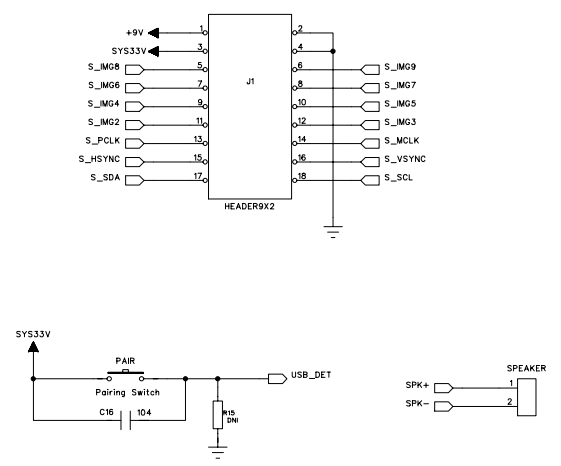
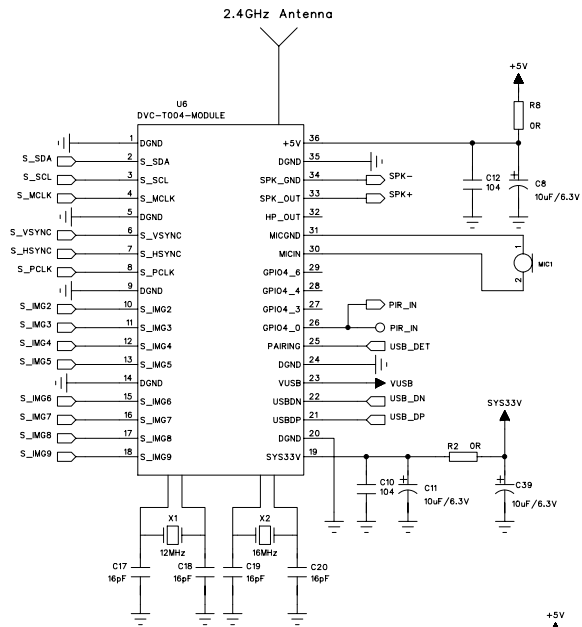


COMPANY: RDI	
TITLE: CA640 SR 2.4G Wireless Digital Camera	
MODEL NO: Image Sensor Board	REV:
PCB NO: RD1806	REV: 1.0
DRAWN: Albert	DATED: 2009-11-26
CHECKED:	DATED:
APPROVED:	DATED:
SCALE: 1:1	SIZE: A3
SHEET: 1 OF 1	

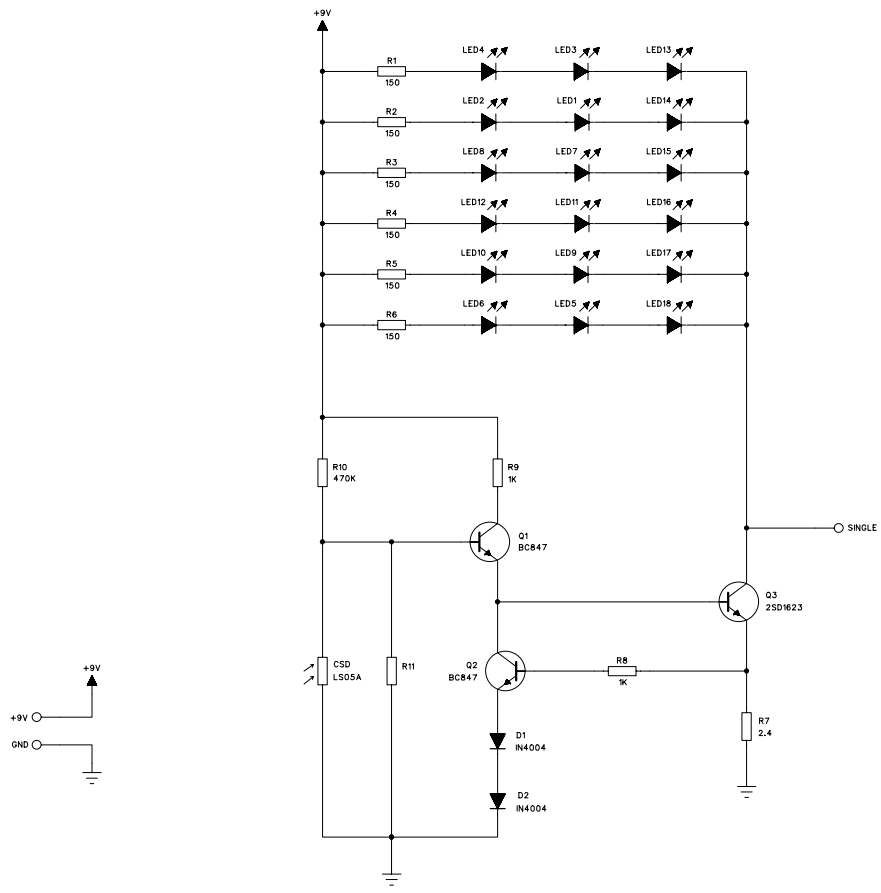


COMPANY: RDI	
TITLE: CA640 SR 2.4G Wireless Digital Camera	
MODEL NO: Power Supply	REV:
PCB NO: RDIB07	REV: 1.1
DRAWN: Albert	DATED: 2009-11-26
CHECKED:	DATED:
APPROVED:	DATED:
SCALE: 1:1	SIZE: A3 SHEET: 1 OF 2



COMPANY: RDI	
TITLE: CA640 SR 2.4G Wireless Digital Camera	
MODEL NO: TX Module Board	REV: 1.1
PCB NO: RD1807	REV: 1.1
DRAWN: Albert	DATED: 2009-11-26
CHECKED:	DATED:
APPROVED:	DATED:
SCALE: 1:1	SHEET: 2 OF 2





COMPANY: RDI	
TITLE: CA640 SR 2.4G Wireless Digital Camera	
MODEL NO: IR LEDs Board	REV:
PCB NO: RD1809	REV: 1.0
DRAWN: Albert	DATED: 2009-11-26
CHECKED:	DATED:
APPROVED:	DATED:
SCALE: 1:1	SIZE: A3
SHEET: 1 OF 1	