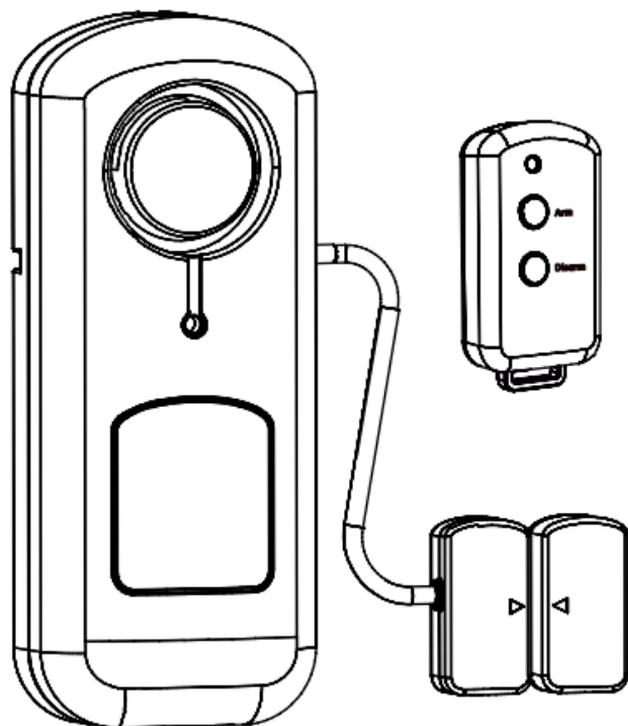




# Personal Security Indoor/Outdoor Wireless Alarm with Remote

## User Manual



*Do not use in wet locations*

# Table of Contents

Introduction	3
Installing Batteries	6
Low Battery Indicator Light	7
Linking the Alarm	8
Installation	11
Arming the Alarm	14
Disarming the Alarm	15
Care and Maintenance	16
Battery warnings	17
FCC Warning	17



## Wireless Alarm with Remote

Before installing or operating the Indoor/Outdoor Wireless Alarm with Remote, please read these instructions carefully and save this manual for future reference.

### Important Safeguards

#### Pre Cautions

1. Do not attempt to disassemble the Keychain Remote or the Alarm unless described in the user's manual. There are no user serviceable parts.
2. Handle with Care – Avoid striking or shaking. Improper use or storage could damage the Keychain Remote or the Alarm. Modifying or tampering with either device or the internal components can cause a malfunction and void the warranty.
3. If you feel the Keychain Remote or any part of the Alarm system is not operating correctly or as described, please contact Technical Support for assistance (1-800-654-8483),

- **For use indoor or outdoors.**

- **Works in weather down to 0° F.**

## **Introduction**

The Indoor/Outdoor Wireless Alarm with Keychain Remote allows you to add protection or monitor areas in and around your home. Use on gates, sheds, garages, cabinets, tool boxes and personal truck boxes.

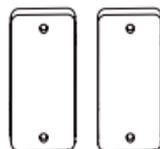
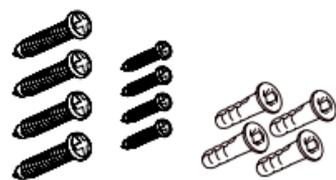
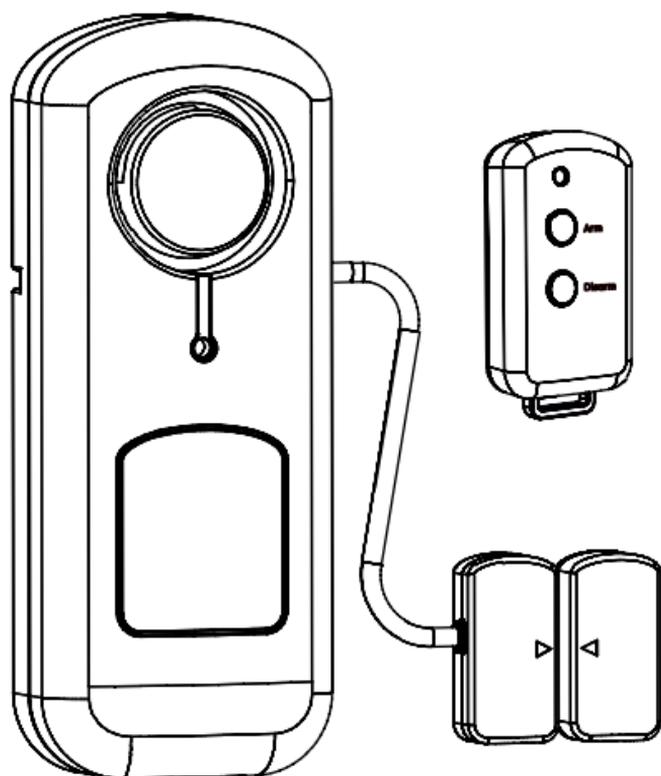
### **Please note below:**

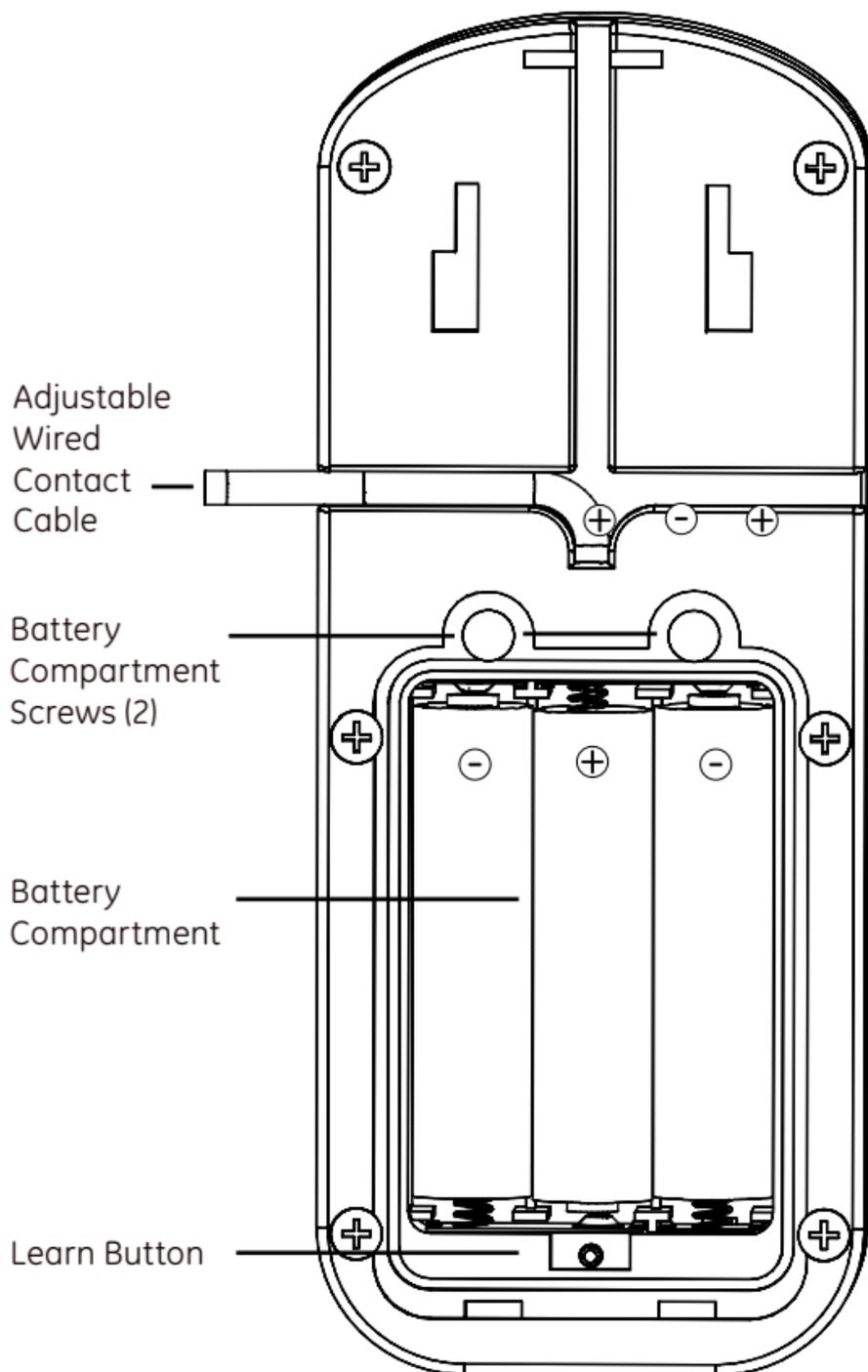
#### **Remote:**

1. The Keychain Remote will transmit up to 30ft from the Alarm. However, like all wireless devices, this distance is subject to conditions of the Alarm's location; the number of walls and appliances between the Keychain Remote and the Alarm can reduce the signal transmission distance.
2. After either button is pressed, the remote will transmit for approx two seconds. There is a two second delay before the remote can transmit a new command (pressing another button).

#### **Magnet Content:**

When the magnet and wired contact are separated (door or lid opened), the red indicator on the front of the Alarm will begin flashing indicating the Alarm has been activated. The Alarm's siren will begin sounding within 1 second or 5 seconds (depending on the delay entry time setting). The Alarm will continue to sound until disarmed by a linked remote.



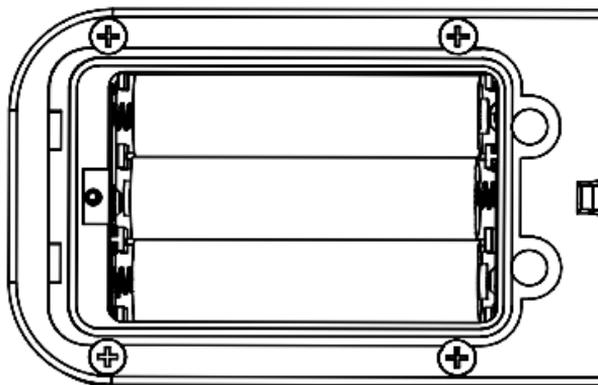


## Installing Batteries

The battery compartment is located on the back of the Alarm and Keychain Remote

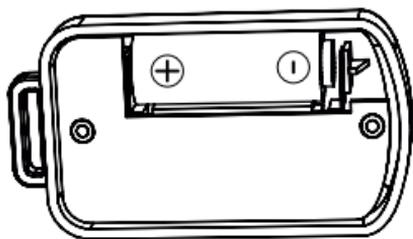
### Alarm

Insert 3-AAA batteries (not included). Please note the polarity diagram inside the battery compartment.



### Keychain Remote

Insert 1-2 3A battery (included). Please note the polarity diagram inside the battery compartment.



1. Replace the cover by first inserting TABS at base and secure screws.

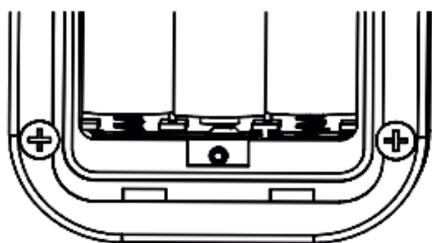
## Low Battery Indicator Light

The Indoor/Outdoor Wireless Alarm has a low battery indicator light. When the batteries need to be replaced, the indicator will flash slowly. Note: Average battery life for typical usage is up to one year.

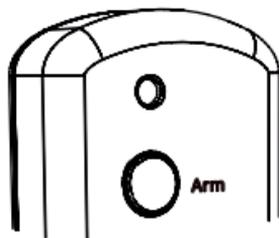
## Linking the remote to the Alarm

Make sure you have installed the batteries in the Alarm and Keychain Remote.

Locate the learn button on the inside of the battery compartment.



2. Press the learn button in the battery compartment as seen above. The Indicator light will start to flash on the Keychain Remote.
3. Now press the Arm button on the Keychain remote. The Alarm will sound a single short tone, and the light will stop flashing to confirm the remote has been linked to the Alarm.



Note: additional remotes can be added to the system by following the same programming procedure.

4. Replace cover to the battery compartment by first inserting tabs of battery compartment cover and secure screws.

### **Delayed Entry Time**

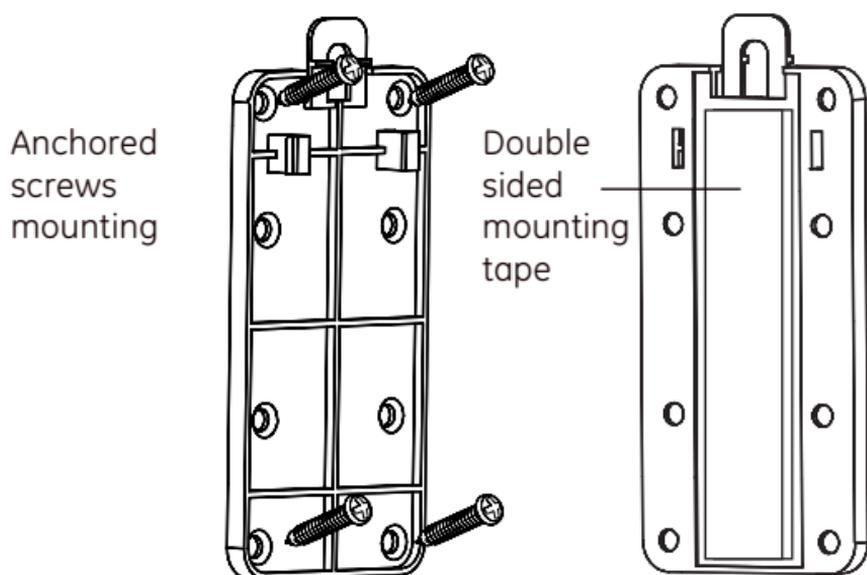
The Alarm default delay is one second. This is the amount of time the Alarm will delay once triggered. (i.e. door opened when Alarm is set). There is an alternate delay setting of 5 seconds.

### **Changing the delayed entry time length**

1. The Alarm must not be armed.
2. Press and hold the Disarm button on the Keychain Remote approx. three seconds and you will hear a short beep. Release the Disarm button. This indicates you have now changed the delay entry time. Follow the same steps to change back to the one second setting.

## Installing the Alarm

1. The unit is designed to be used indoor or outdoors. It can be mounted in toolboxes, inside personal truck boxes or on gates, sheds, and doors etc.

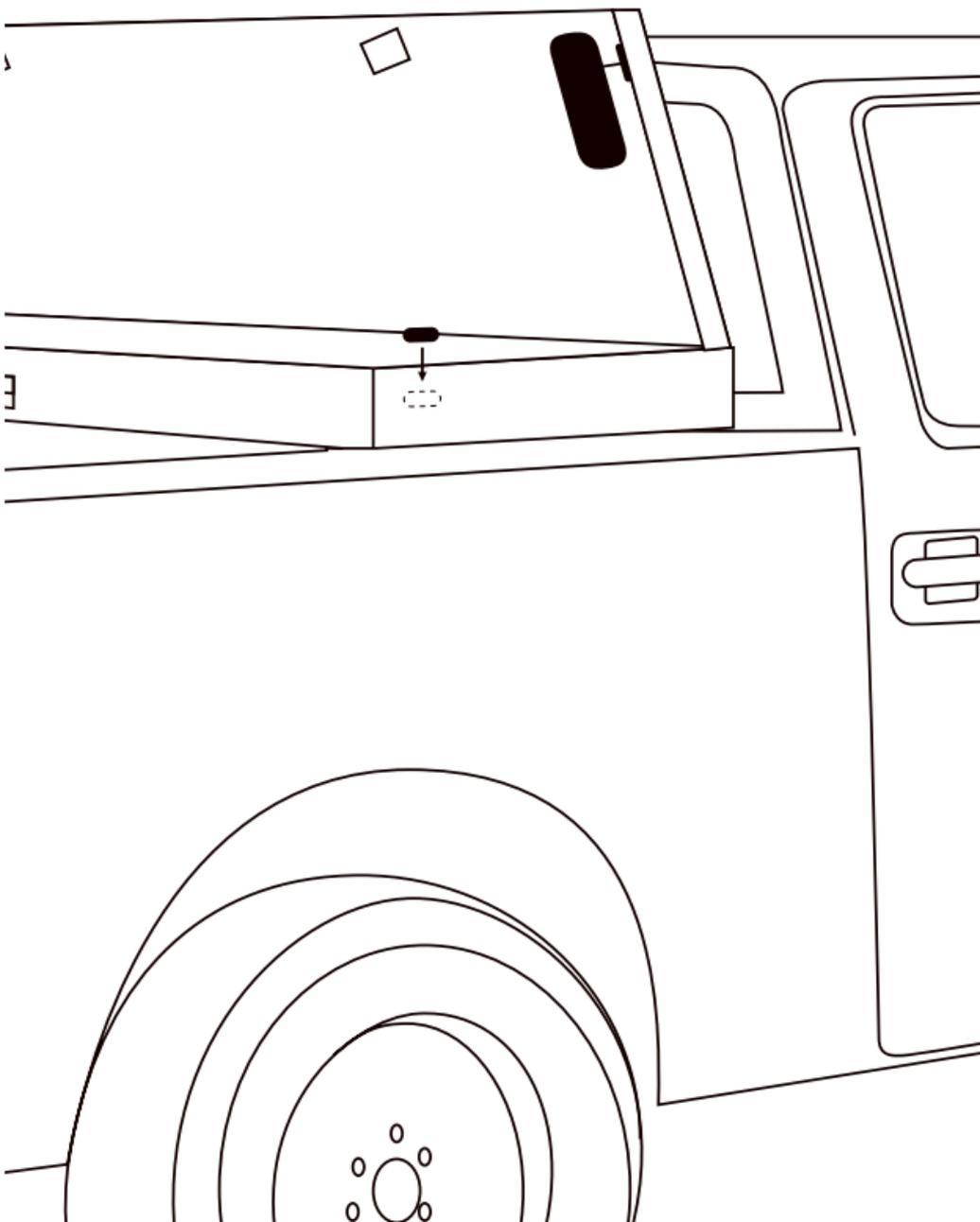


The mounting surface will determine whether to use the double-sided tape or mounting screws. **DO NOT USE** screws if mounting surface is less than two inches thick.

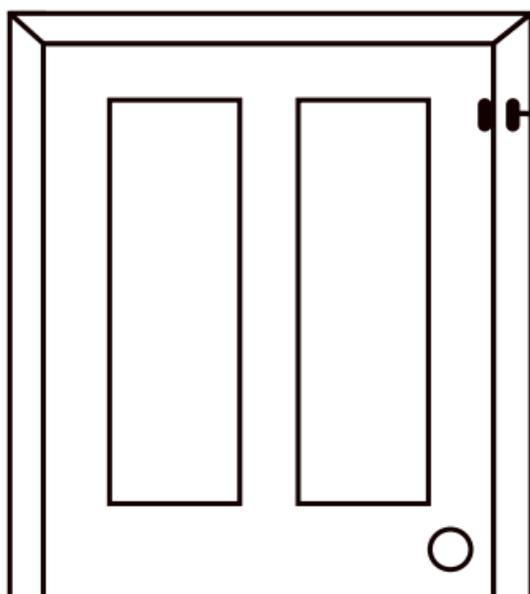
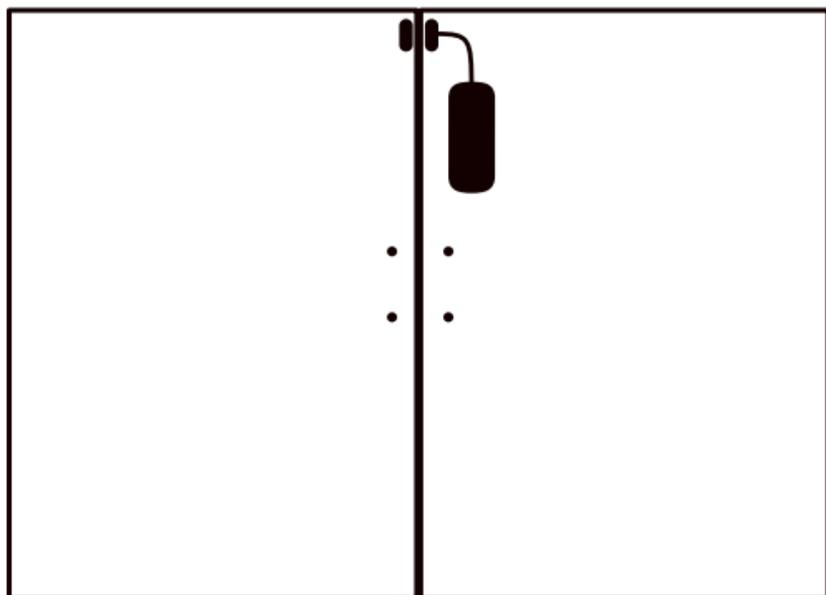
2. Selecting the best location will depend on the intended use. Below are some suggested mounting options. Regardless of location, the gap between the wired Contact and the Magnet must not be greater than  $3/4$ " in the closed position.

**Tool boxes or Personal truck boxes**

Inside of truck boxes or toolboxes - use the two sided installation tape included



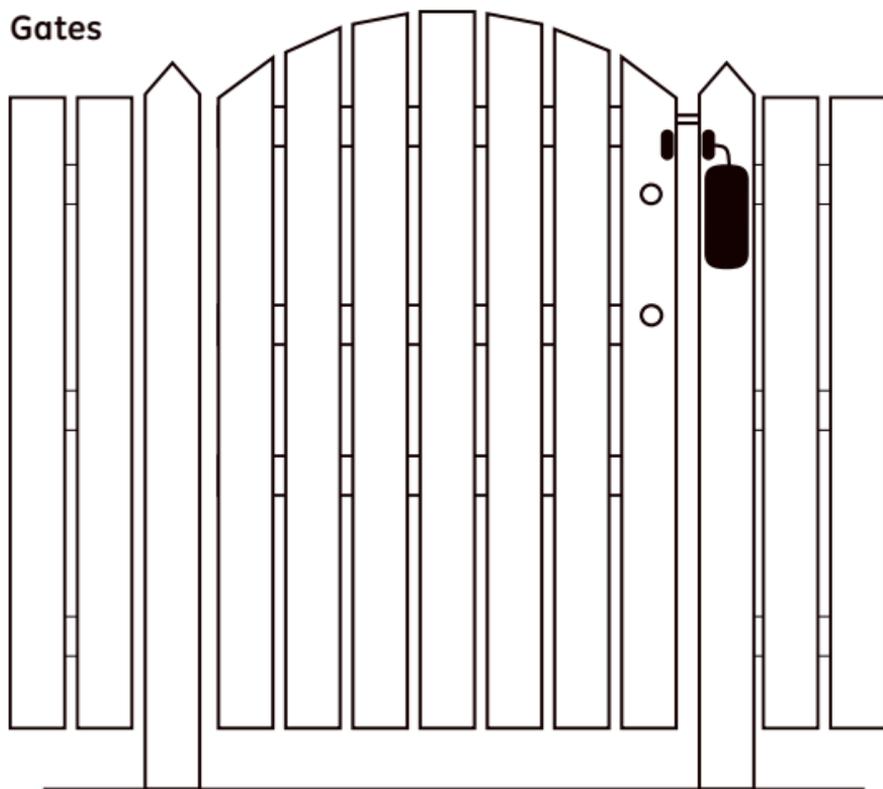
## Cabinets, Sliding Doors and Doors



### Inside of doors

- use the two sided installation tape included or if the mounting surface is over two inches thick Use the anchors and screws provided.

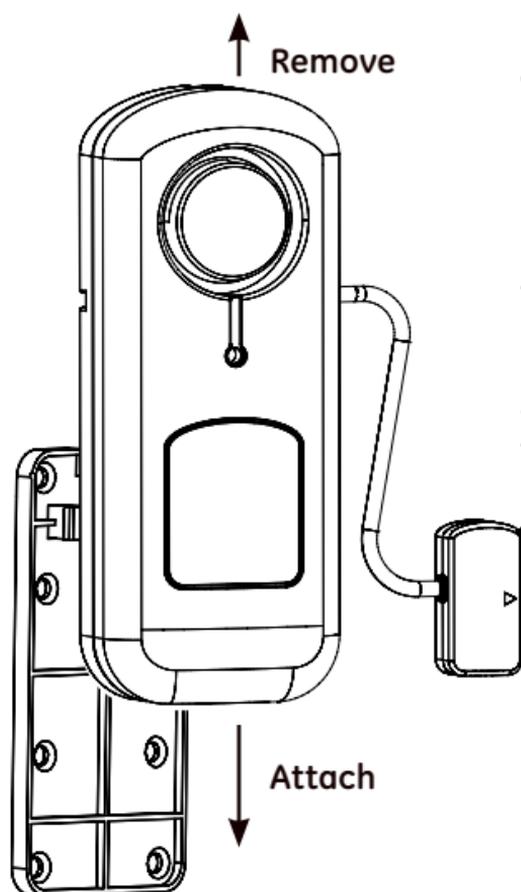
## Gates



### Inside of gates

- use the two sided installation tape included or if wood is over two inches thick use screws included.

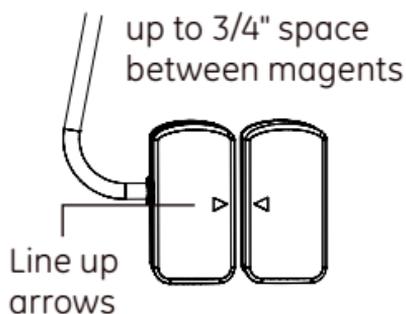
The Alarm is weather resistant so it can be mounted outside. The preferred location is to mount the Alarm and wired Contact on the gate and the Magnet to the fixed post or wall. When mounting to a wood or porous surface, you can use the extra mounting plates. These can be securely mounted to the surface, and the wired contact and magnet can be attached using the double sided tape.



Mounting plate will snap to lock in place.

**Note:** To remove the Alarm, push locking TAB, slide the Alarm upwards off the mounting plate.

Use the provided double-sided stick tape, to mount to most surfaces. For porous surfaces use optional mounting plates.



### Aligning the Wired Contact & Magnetic Contact

After the Alarm is mounted on mounting bracket the Magnetic Contacts need to be aligned. See above.

## Arming the Alarm

After either Arm or Disarm button is pressed, the Keychain Remote will transmit for approx two seconds. There is a two second delay before the remote can transmit a new command (pressing another button).

1. Locate arm/disarm button on the front of the remote.
2. The wireless remote will operate the Alarm up to 30 ft. The wireless range will vary depending on the number of walls, appliances or obstructions between the Alarm and remote. In addition, the thickness of materials may also reduce reception. If mounting the Alarm inside metal construction such as a metal storage shed or tool cabinet or even a metal personal truck box, the distance will also vary. Be sure to test the range at several distances in order to determine maximum optimum range.
3. Once you determine the optimum range. Press the arm button on the remote, the Alarm will sound a short tone and the red indicator light on the front will begin flashing.

4. When the magnet and wired contact are separated (door or lid opened), the red indicator on the front of the Alarm will begin flashing indicating the Alarm has been activated. The Alarm's siren will begin sounding within 1 second or 5 seconds (depending on the delay entry time setting). The Alarm will continue to sound until disarmed by a linked remote.

### **Disarming the Alarm:**

1. If the Alarm has been activated, press the disarm button to disarm the Alarm.
2. Prior to triggering the Alarm (opening the door, gate, window etc) button to deactivate the Alarm. If the remote control with the correct security code is not used once the Alarm is triggered, the Alarm will sound. If the Alarm has been triggered, the red indicator light on the front of the Alarm will flash. Use the remote control at any time to deactivate the Alarm.

---

**Note:** to test, a cloth can be used to cover the Alarm to reduce risk of hearing damage.

### **Care and Maintenance**

To clean the unit housing, use a soft cloth slightly dampened with water and wipe dry. Do not use chemical agents as this may damage and discolor the unit.

**WARNING***Limitations of Alarm Products*

This product should be tested periodically to make sure it is working properly. The product, if used properly, may reduce the risk of burglary, robbery, or other adverse events. However, JASCO is not an insurer, this product is neither insurance nor a guarantee that such an event will be prevented, and users should protect themselves with proper insurance. JASCO makes no representation that this product cannot be compromised or circumvented, that it will provide an adequate warning, or that it will prevent any personal injuries, property damage, or other losses. Like any Alarm product, including expensive commercial systems, it may be bypassed, it is subject to compromise, and it may fail to warn for a variety of reasons, including, but not limited to: improper installation or positioning; improper maintenance; tampering; dead or improperly installed batteries; sensing limitations; component failures; receivers; for infrared products, intrusions may be outside of a product's designed range and certain environmental conditions may impact performance and audible Alarm signals may be outside of hearing range, muted by doors, walls, and floors, unheard by deep sleepers or the hearing-impaired, or overwhelmed by other sounds.

**WARNING***Risk of personal injury*

- Prolonged exposure to Alarm siren may cause permanent hearing loss

*Battery Warning*

- Remove batteries before storing the Alarm for extended periods
- Batteries may leak harmful liquids or ignitable materials or explode causing injury and product damage
- Do not mix old and new or other battery types
- Replace all batteries at the same time
- Replace fully discharged batteries immediately

For indoor/outdoor use; do not use in wet locations.

This Jasco product comes with a 90 day limited warranty. Please contact Customer Service at 800-654-8483 between 7:30AM—5:00PM CST or via our website ([www.jascoproducts.com](http://www.jascoproducts.com)) if the unit should prove defective within the warranty period.

**FCC Warning**

Functional range may be adversely affected by one or more of the following factors: weather, radio frequency interference, low transmitter battery and obstructions between the transmitter and receiver.

This device complies with part 15 of the FCC rules. Operation is subject to the following two conditions:

(1) this device may not cause harmful interference, and (2) this device must accept any interference received, including interference that may cause undesired operation.

FCC NOTE: The manufacturer is not responsible for any radio or TV interference caused by unauthorized modifications to this equipment. Such modifications could void the user's authority to operate the equipment.

NOTE: This equipment has been tested and found to comply with the Limits for a Class B digital device, pursuant to Part 15 of the FCC Rules. These limits are designed to provide reasonable protection against Harmful interference in a residential installation. This equipment generates, uses and can radiate radio frequency energy and, if not installed and used in accordance with the instructions may cause harmful interference to radio communications. However, there is no guarantee that interference will not occur in a particular installation. If this equipment does cause harmful interference to radio or television reception, which can be determined by turning the equipment off and on, the user is encourage to try to correct the interference by one or more of the following measures:

- Reorient or relocate the receiving antenna.
- Increase the separation between the equipment and receiver.
- Consult the dealer or an experienced radio/TV technician for help.

GE is a trademark of the General Electric Company and is used under license to Jasco Products Company LLC, 10 E. Memorial Road, Oklahoma City, OK 73114.