



HJZ0093/HJZ0095 (Bluetooth Module for Navigation System)

1. Features

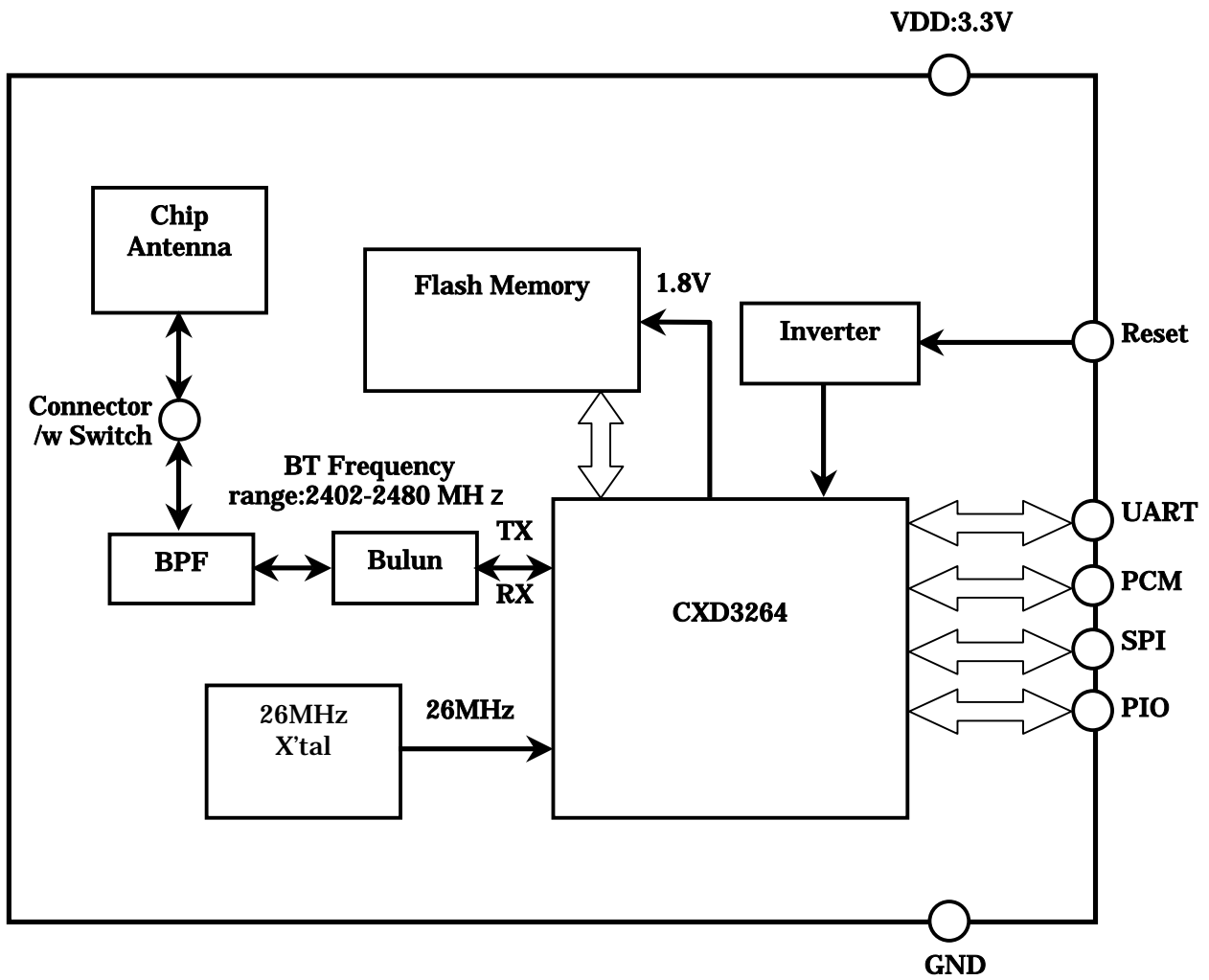
- 1) Model Number: HJZ0093/HJZ0095
- 2) Equipment description: Bluetooth Module for Car Navigation System
- 3) Bluetooth[®] standard Ver 1.2 conformity (Modulation Type: GFSK)
- 4) Power Class2 (Max 4dBm) Bluetooth Module
- 5) Designed for Xanavi series Navigation System
- 6) With Antenna is provided on board (Antenna Gain (MAX) = +0.8 dBi)
- 7) Internal base band clock oscillator
- 8) Support functions: Serial Port Emulation (Point-To-Point)
- 9) Bluetooth wireless connection-to-UART bridge function
- 10) Interface (to Navigation System) : UART
- 11) Ground line is connected to the application for equipment via one of pins of connector

2. Technical Description

2.1 Specification

Parameter	Description	Min.	Typ.	Max.	Units
Carrier Frequency		2.402		2.480	GHz
Supply Voltage		2.7	3.3	3.6	V
RF Output Power	Measured in 50 Ohm	-6	0	4	dBm
Rx Sensitivity		-	-84	-70	dBm
Operating Temperature		-40		85	Degree C
Current Consumption	HV1 @ SCO		42		mA

2.2 Hardware Block Diagram



2.3 Functional Block Diagram

