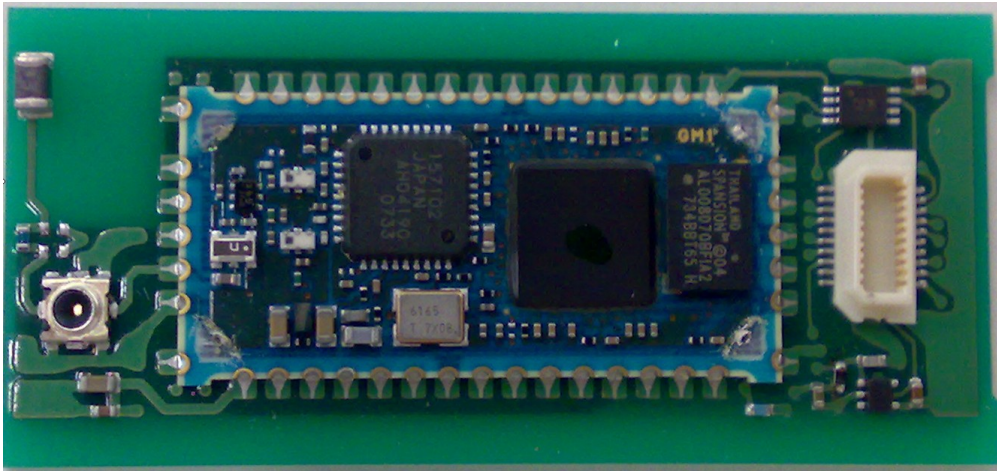
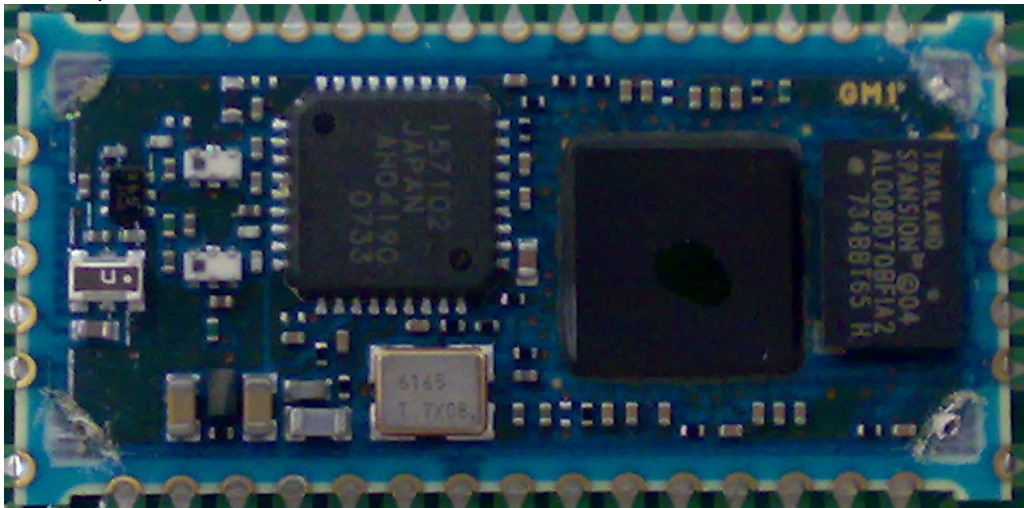


UGZZ5-X02 Internal Photo

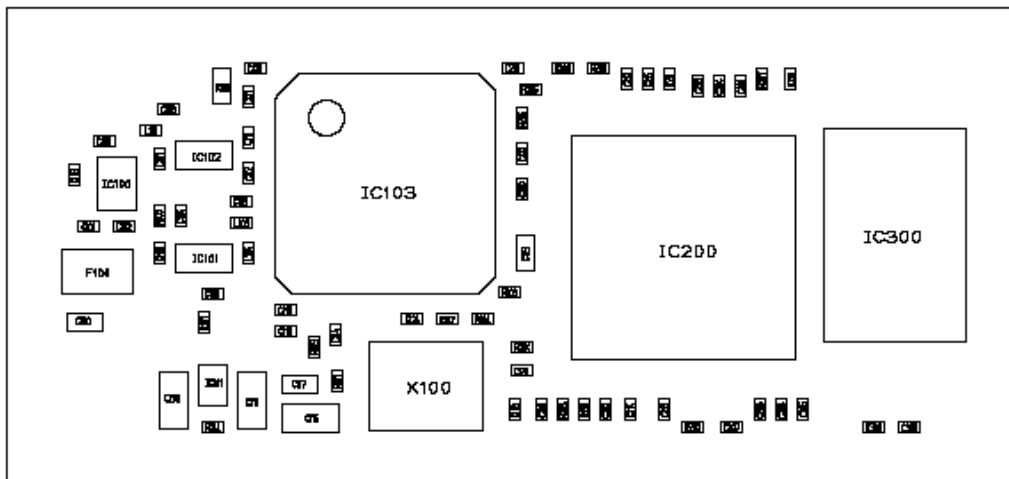
1. Internal photo
Removed shield case



- Close-up of inside shield case



2. Major parts layout



IC103 : RF IC (HD157102NPEB@RENEASIS TECHNOLOGY)
IC200 : BASEBAND IC (IC200:HCD6417660A@RENEASIS TECHNOLOGY)
IC300 : FLASH MEMORY (IC300 : S29AL008D70BFIA2@SPANSION)
X100 : CRYSTAL OSCILLATOR (X100:TSX-3225 26MHZ@EPSON TOYOCOM)