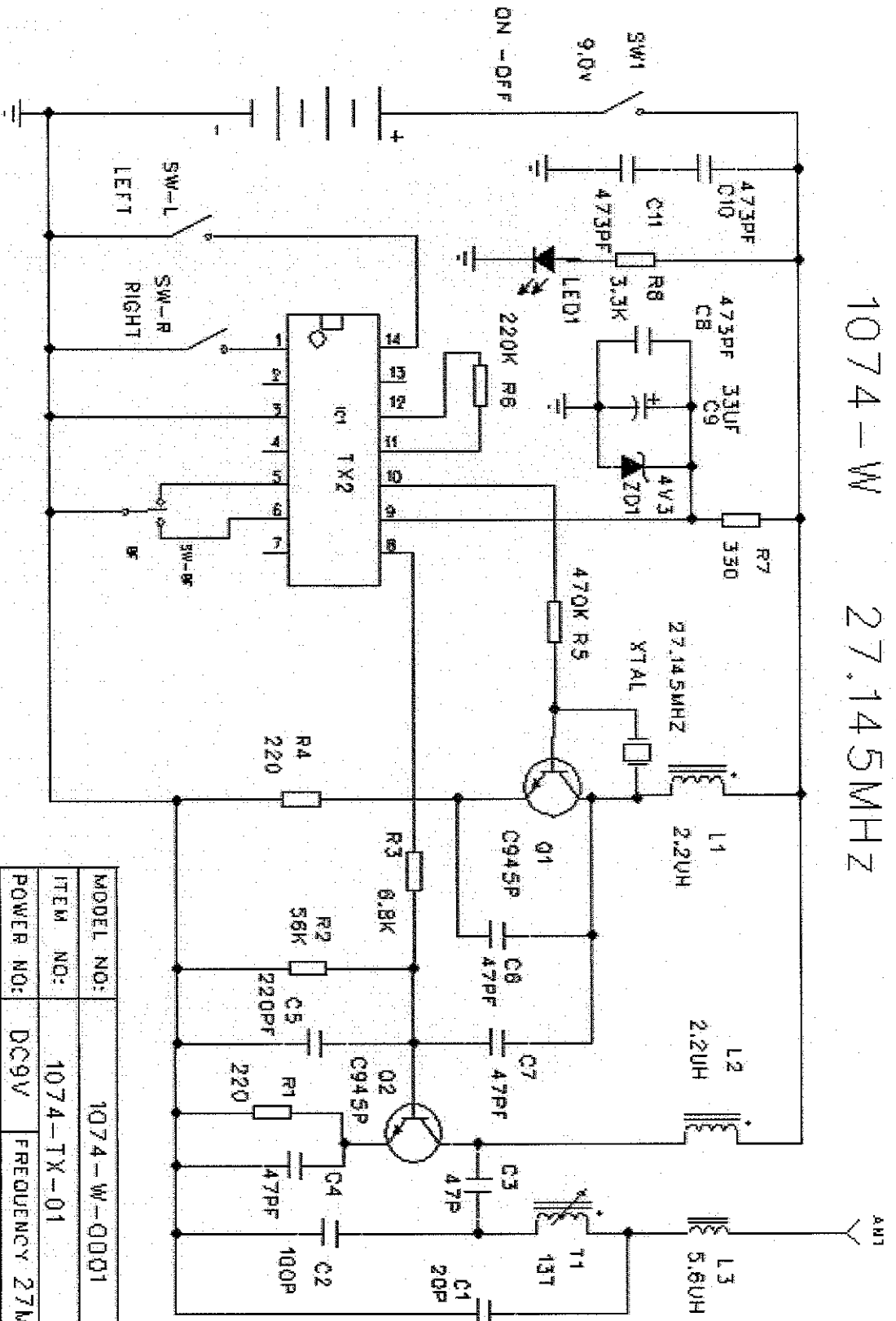


1074-W 27.145MHz



MODEL NO:	1074-W-0001		
ITEM NO:	1074-TX-01		
POWER NO:	DC9V	FREQUENCY	27MHz
DATE NO:	2007-Jan-22		