



禾伸堂企業股份有限公司
台北市內湖區瑞湖街103號3樓之1
TEL:02-26596722 FAX:02-26596720

NJ5 NFC ANTENNA DATA S H E E T

CUSTOMER : FOXCONN
VENDOR : 晶鈦國際電子股份有限公司
PART NUMBER : AH-JT-0219Y2111
DESCRIPTION : NFC Antenna
Date : 2013/01/11

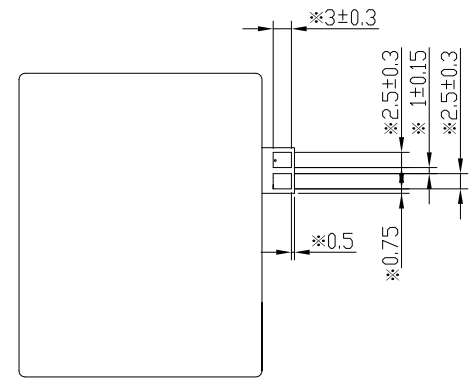
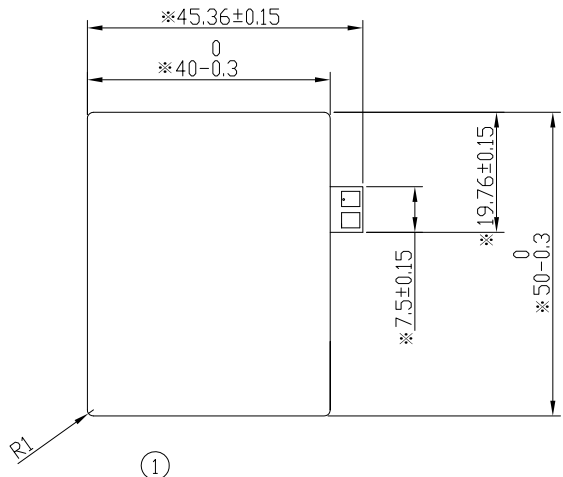
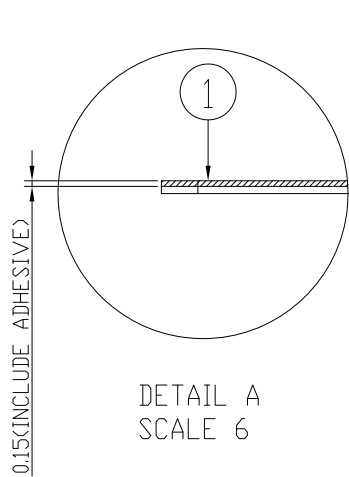


INDEX

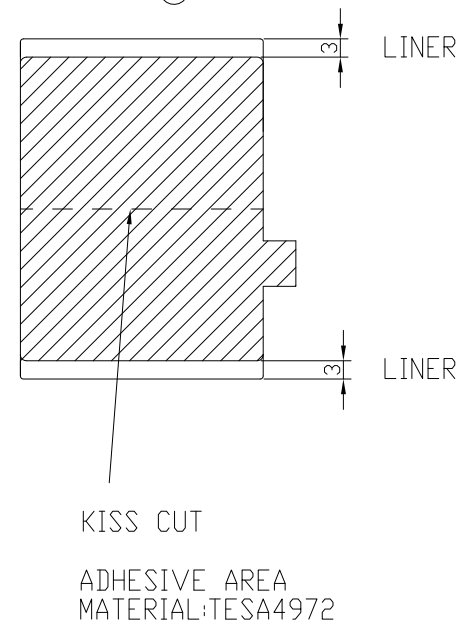
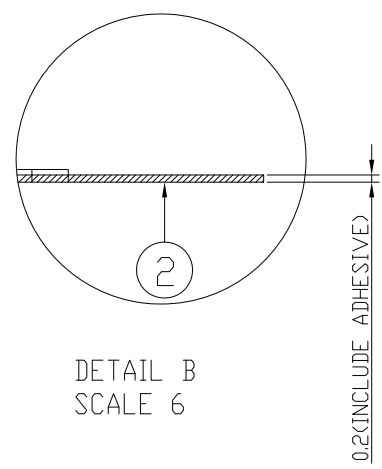
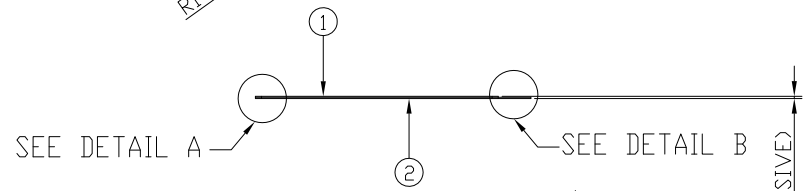
- Index P2
- Outline Drawing P3
- Antenna Related Data P4
- Test Methodology P5
- Test Result P7

ITEM	DESCRIPTION		QTY	REMARK
1	FERRITE SHEET	50X40X0.15(MM)	1	
2	FPC	45.36X50X0.2(MM)	1	TESA4972

SYM		REVISIONS	
ME	DESCRIPTION	DATE	APPROVED
D	01	THE FIRST VERSION	11/JAN/13 MARK KAD



PAD LAYOUT



NOTES INFORMATION:

- INSPECT AND REPORT \ast CRITICAL DIMENSIONS TO A MIN. Cpk OF 1.4 AND A MINIMUM Cp OF 1.8 FOR THREE LOTS
- MATERIAL USED MUST MEET FMMABILITY RATING OF UL 94 VTM-0

UNIT	MM
<p>禾伸堂企業股份有限公司</p>	
<p>TOLERANCES</p> <p>$\ast X \pm 0.5$</p> <p>$\ast X.X \pm 0.25$</p> <p>$\ast X.XX \pm 0.10$</p> <p>ANGULAR $\pm 1.5^\circ$</p>	
<p>THE INFORMATION CONTAINED IN THIS DRAWING IS THE SOLE PROPERTY OF JTIE. ANY REPRODUCTION IN PART OR AS WHOLE WITHOUT THE WRITTEN PERMISSION OF JTIE IS PROHIBITED.</p>	
<p>TITLE : NFC ANTENNA ASSEMBLY</p>	
<p>PART NO : AH-JT-0219Y2111</p>	
<p>DRAWING NO : AH-JT-0219Y2111 D01</p>	
<p>PROJECT : NJ5</p>	
SIZE	A4
SCALE	1:1
SHEET	10F1
DESIGNED:	MARK KAD
CHECKED:	
APPROVED:	



ANTENNA RELATED DATA

ITEM	SPECIFICATION
Frequency Band	13.56MHz
VSWR	值感距離
Polarization	Linear
Peak Gain	N/A
Impedance	50Ω
Coaxial Cable Type	no coaxial cable



Test Equipment

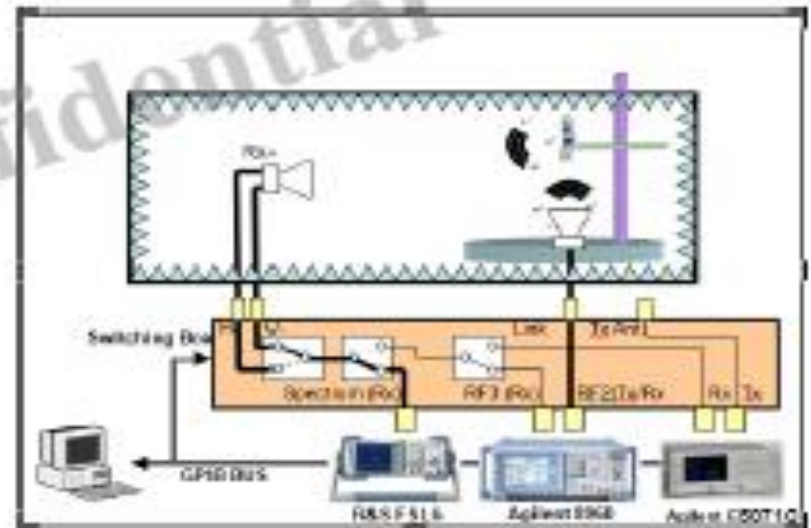
- VNA Test Setup
- Return Loss measurements (S_{11}) were performed using an R&S ZVB8 Network Analyzer





Test Equipment

- Anechoic Chamber Test Setup
- The antenna efficiency and gain were measured using a ETS AMS-8500 3-D anechoic chamber at JTIE.





Test Result

■ NFC Performance

Frequency	13.56MHz
Sensing Distance(cm)	4.82