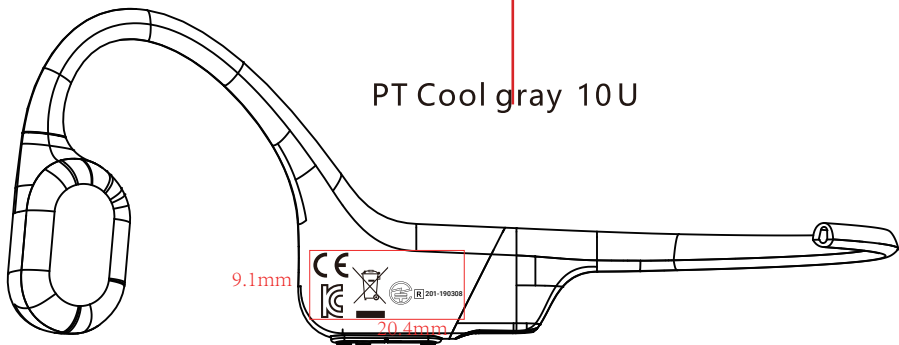


Model: AS800
FCC ID: SHKASCEB6
IC: 109786-ASCEHB6
Input: 5.0V \pm 120mA
Made in China

9.3mm

15.8mm

PT Cool gray 10U



CE
[X]
[R] 201-190308

9.1mm

20.4mm

PT Cool gray 10U