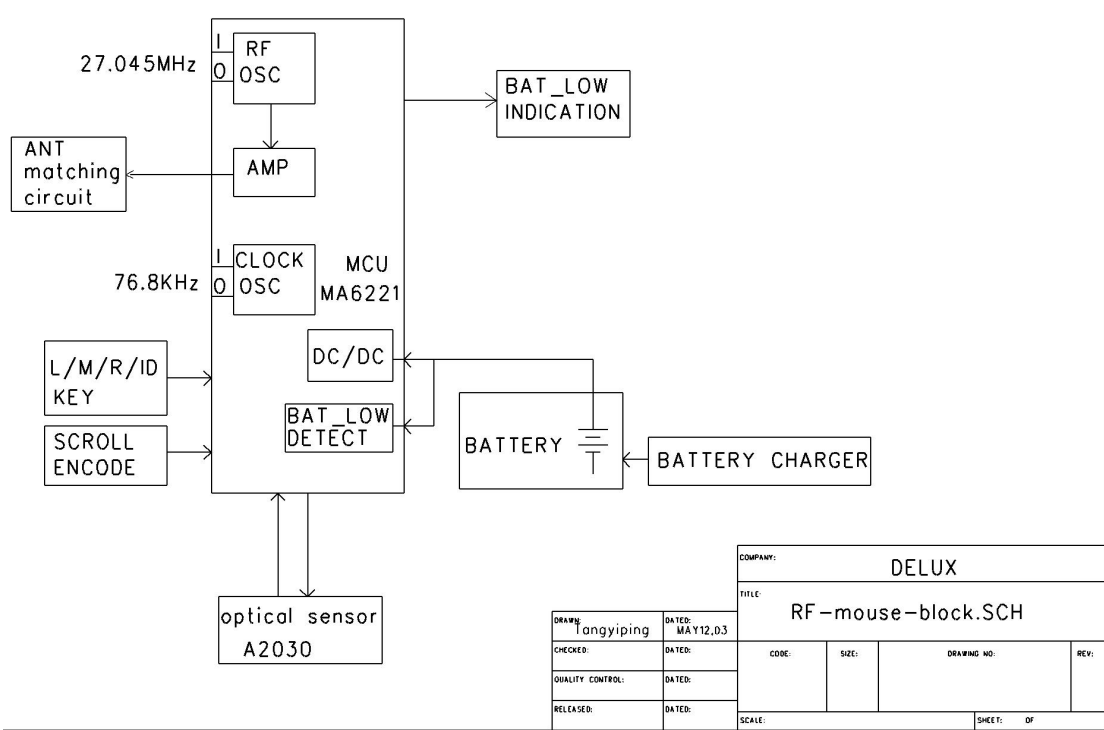


Applicant: SHENZHEN DELUX INDUSTRY CO., LTD.
FCC ID: SGP-M323H



DRAWN: Tangyiping		DATED: MAY12,03		COMPANY: DELUX			
CHECKED:		DATED:		TITLE: RF-mouse-block.SCH			
QUALITY CONTROL:		DATED:		CODE:	SIZE:	DRAWING NO:	REV:
RELEASED:		DATED:		SCALE:		SHEET: OF	