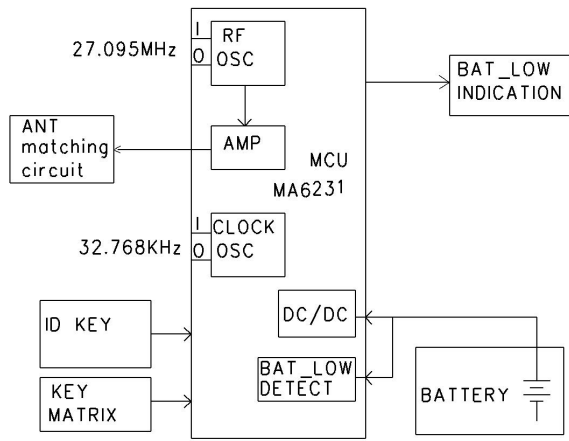


**Applicant: SHENZHEN DELUX INDUSTRY CO., LTD.**  
**FCC ID: SGP-DLK7005RF**



DRAWN: Tangyiping		DATED: MAY12,03		COMPANY: DELUX			
CHECKED:		DATED:		TITLE: RF-keyboard-block.SCH			
QUALITY CONTROL:		DATED:		CODE:	SEC:	DRAWING NO:	REV:
RELEASED:		DATED:		SCALE:	SHEET: OF		