

4

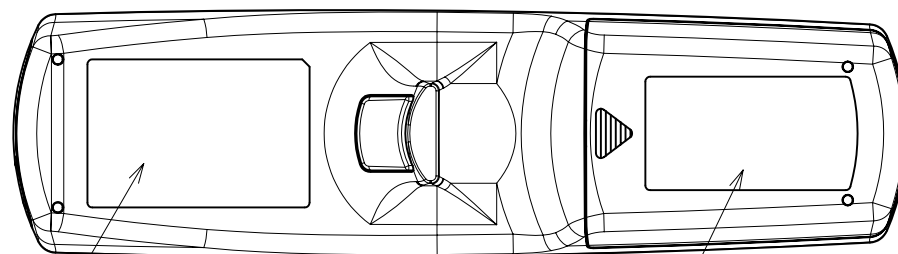
3

2

1

REVISION HISTORY			
REV	DESCRIPTION	DATE	APPROVED
A	Prod. release per ECO JP-XXXX	5/11/04	H. Inoue

D



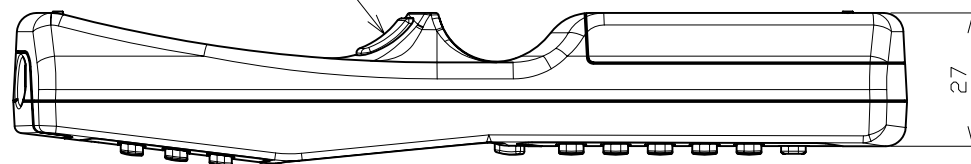
Certificate

LABEL

TRIGGER KEY

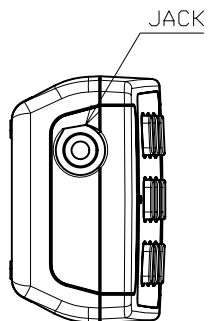
LABEL

C

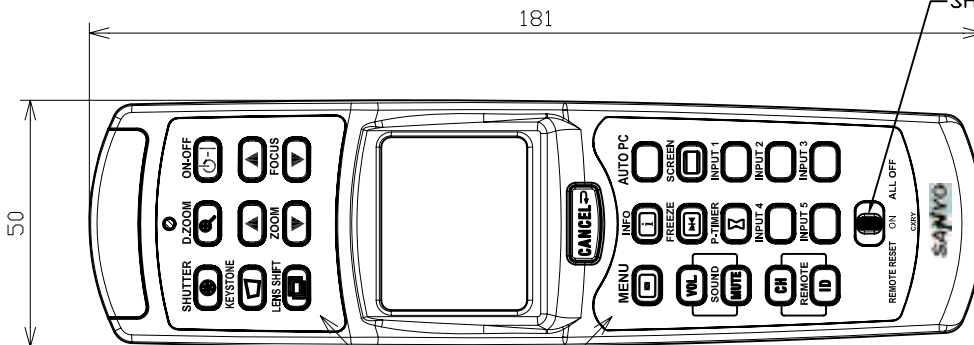


27

B



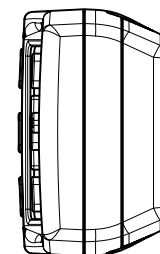
JACK



181

50

SHIPPING POSITION AT "ON" SIDE.



B

TAKE OFF THE PROTECTION SHEET.

NOTE

- 機能、仕様は納入仕様書による。
- 材質、塗装、印刷色は個別図面による。

A

1. SEE SEPARATE BILL OF MATERIALS.
NOTES:UNLESS OTHERWISE SPECIFIED.

UNLESS OTHERWISE SPECIFIED DIMENSIONS ARE IN MM TOLERANCES AND DECIMALS		THE MATERIAL CONTAINED IN THIS DRAWING IS THE PROPERTY OF INTERLINK ELECTRONICS AND MUST NOT BE COPIED OR TRANSMITTED IN ANY MANNER WITHOUT THE EXPRESSED WRITTEN PERMISSION OF INTERLINK ELECTRONICS.		INTERLINK ELECTRONICS 546 Flynn Road, Camarillo, CA 93012	
MATERIAL SEE BOM		APPROVALS DESIGNED Hiroaki Mori 5/11/04 CHECKED		TITLE Tx,IRC-TP,ST-IRC7,Sanyo	
FINISH SEE BOM		APPROVED Hiroaki Inoue 5/11/04		SIZE C	DWG NO. 50-35682
FILED		SCALE 1:1	DO NOT SCALE DRAWING	SHEET 1 OF 1	REV. A

A

4

3

2

1