

4. Construction

4.1 Layout

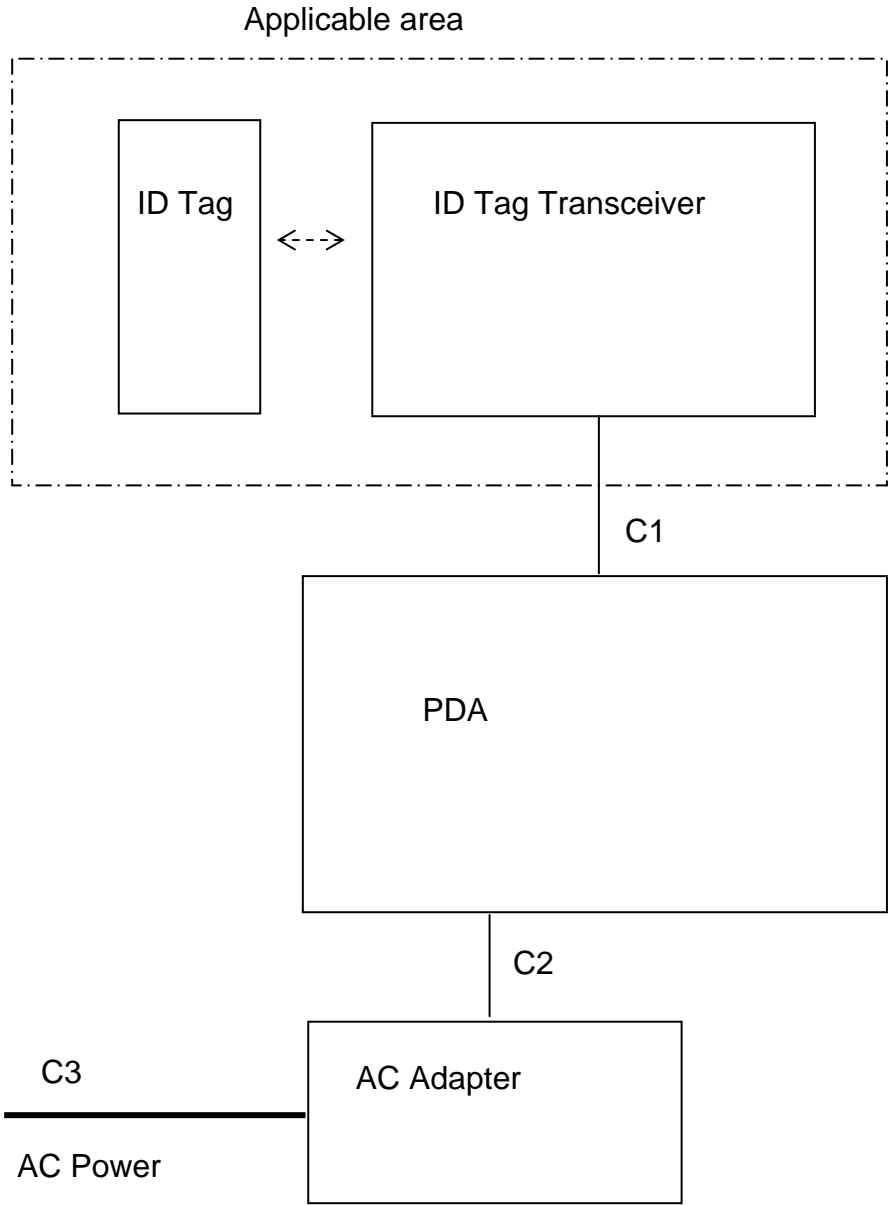


Fig 4.1 Configuration of the Product

4.3 Block Diagram

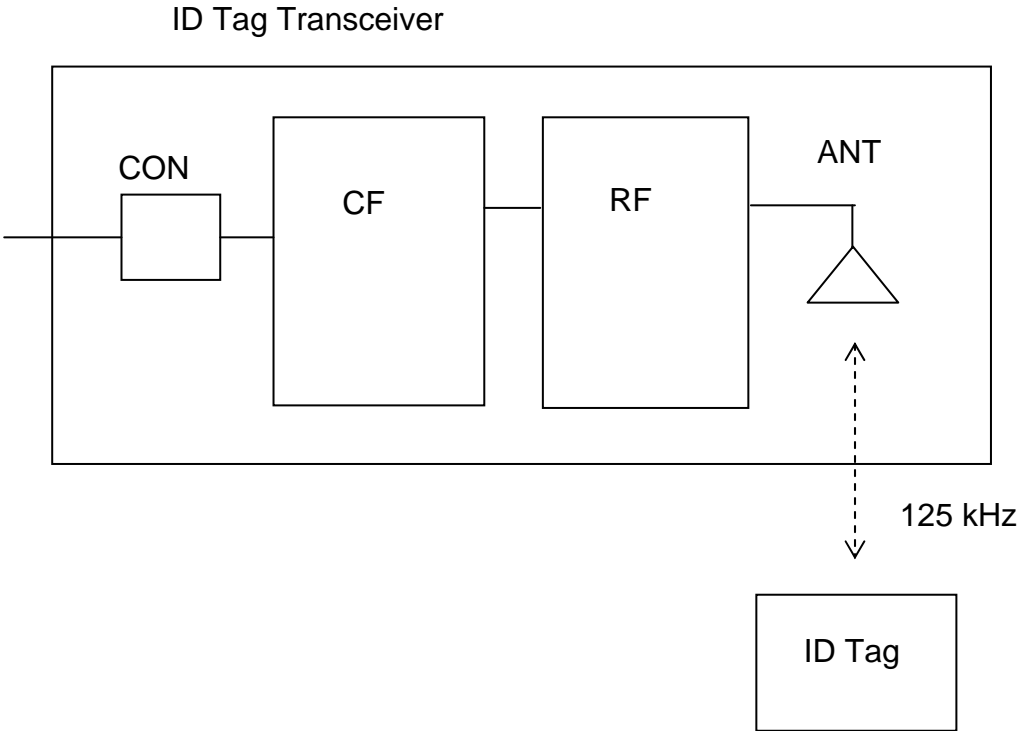


Fig 4.2 Block Diagram of the model