

HW-WM100 User Guide

Address:

Zip Code:

Service Hotline:

<http://www.XXX.com>

Brief Introduction

HW-WM100 is a type of multi-mode, 3G wireless USB modem, applicable HSDPA/EDGE/WCDMA/GSM/GPRS network. With USB interface to connect to portable PC, it integrates functions of modem, mass storage and combines mobile communication with the internet perfectly. Via HSDPA/EDGE/WCDMA/GSM/GPRS mobile network, it carries out Data service and SMS services, helping you break away from limitation of time and zone, and communicate wirelessly anytime and anywhere.

Packing List

Wireless USB modem (1), Software installation disc (1), Quick user

guide (1), Guarantee Cert. (1).

Specification

Interface Type	USB 2.0.
Applicable Equipment	Supports main types of PC.
Function	SMS service, Data service. Applications management, Data concurrent, etc.
Network Sys.	GSM/GPRS/EDGE, WCDMA/HSDPA
Frequency Band	WCDMA/HSDPA 2100MHz: 1920-1980 MHz/2110-2170 MHz(Up-link/Down-link)
	GSM/GPRS/EDGE 850MHz: 824-849MHz/869-894 MHz(Up-link/Down-link)
	GSM/GPRS/EDGE 900MHz: 880-915MHz/925-960 MHz(Up-link/Down-link)
	GSM/GPRS/EDGE 1800MHz: 1710-1785MHz/1805-1880 MHz(Up-link/Down-link)
	GSM/GPRS/EDGE 1900MHz: 1850-1910MHz/1930-1990 MHz(Up-link/Down-link)

Temperature	− 10°C to +55°C
System Requirements of the HW-WM100	Computer running Windows 2003/XP/VISTA/Mac (10.4.9 and later version) Memory: 32 MB Disk Space: 100 MB
Mass storage	Support memory card as the mass storage.

Quick Installation Guide

1. Software Installation

- Insert the HW-WM100 into your USB port of computer, the installation pop-up window appears on display if the system of computer supports installation automatically. If the installation auto run failed, please run "Setup.exe" program.
- If the installation program has been set before, user is able to repair the installation.
- Please uninstall if the PC manager file of HW-WM100 is damaged, then run install program.
- Select the language applicable to the operating system, click "Next".

- Choose "I accept the terms of the license agreement", click "Next".
- Click "Cancel" to skip the driver installation if you don't want the setup program to do this for you.
- Follow the wizard to finish the driver installation.

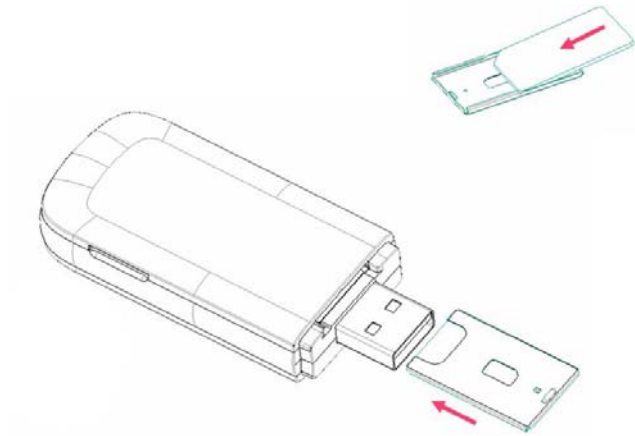
After the installation, a shortcut icon is created on the desktop. On the screen of computer, select "Start" menu → "Program", and there is a program group listed in.

2. Hardware Installation

1) Insert the SIM/USIM card into the HW-WM100:

Insert the SIM/USIM card with the metal contact tip facedown into the USB modem slot tightly.

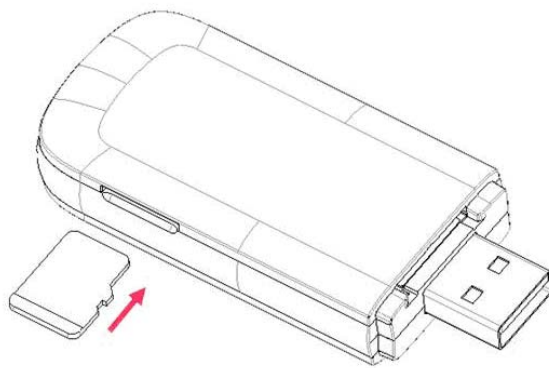
Remove and pick the SIM/USIM card through slot or hatch on the card.



2) Insert the memory card into the HW-WM100:

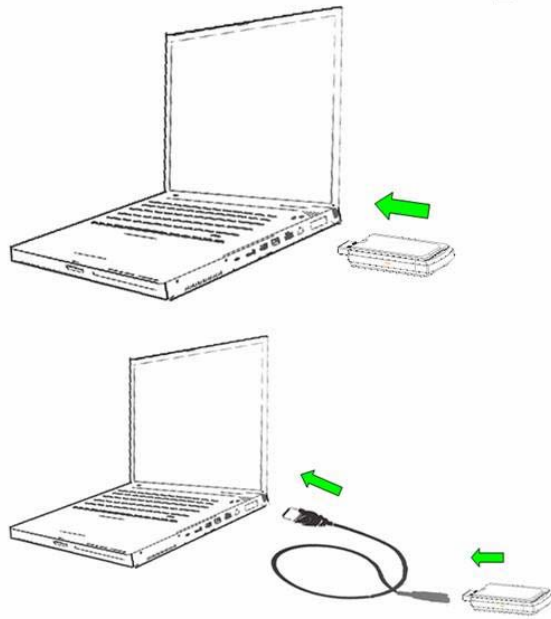
Insert the memory card with the metal contact tip facedown into the memory card slot of USB modem tightly.

Remove and pick the SIM/USIM card through slot or hatch on the card.



3) Insert the HW-WM100 into PC:

Insert the HW-WM100 into USB port of PC. With the indicator turns on, the HW-WM100 is properly inserted.



Remove the wireless USB modem safely

Close the application software at first, then you can remove the HW-WM100.

How to use the wireless USB modem

Notice: On some version Vista system, you may need to turn off the "User Account Control (UAC)" function. Please select the Windows "Control Panel"/"User Account"/"Enable/Disable User Account Control" and turn off the function.

Click any icon on the main menu interface to start corresponding

function.

Connect to the Internet	With correct network settings, click "Connect" button prompted. If succeeded, you can surf on the Internet. Or choose the "More Profiles" button to edit a data link profile or view the statistics.
Internet	Click "Internet" button to view the data flow.
SMS	Click "SMS" button to do the SMS relative operations.
Contacts	Click "Contacts" button to do the phone book relative operations.
Options	Make general setting, SMS setting, network setting, security setting, sound setting, flow warning setting and check the version information, etc.
Help	Choose "Help" menu to view online help.

Safety Warning

- Some electronic devices are susceptible to electromagnetic interference sent by USB modem if inadequately shielded, such as

electronic system of vehicles. Please consult the manufacturer of the device before using the USB modem if necessary.

- Operating of USB modem may interfere with medical devices like hearing aides and pacemakers. Please always keep the card more than 20 centimeters away from such medical devices when the card is powered on. Power off the USB modem if necessary. Consult a physician or the manufacturer on the medical device before using the USB modem.
- Do not use USB modem at gas station.
- Be aware of the usage limitation when using a USB modem at places such as oil warehouses or chemical factories, where there are explosive gases or explosive products being processed. Do not use the USB modem if necessary.
- Store the USB modem out of the reach of little children. The USB modem may cause injury if used as a toy.
- Please use original accessories that are authorized by the manufacturer. Using any unauthorized accessories may affect your USB modem's performance, and violate related national regulations about telecom terminals.
- Avoid using the USB modem near metallic structure device or establishment that can emit electromagnetic wave. Otherwise it may influence receiving of signals.

- The USB modem is non-waterproof, please keep it dry and store in shady and cool place.
- Don't use the USB modem immediately after sudden temperature change. In such case, there will be dew inside and outside the card, so don't use it until it becomes dry.
- Take the USB modem carefully. Don't drop, bend or strike it to avoid destructive damage.
- No dismantling by non-professional and only qualified maintainer can undertake repair work.
- Please power off USB modem before the airplane takes off. In order to protect airplane's communication system from interference, it is never allowed to use USB modem when it is in flight. Using it before the plane taking off should get aircrew's permission according to safety regulations.

● RF Exposure Information and Statement

The highest SAR value reported under this standard during product certification for use next to the body is 0.815 W/kg. This transmitter must not be collocated or operating in conjunction with any other antenna or transmitter. USB dongle transmitter is approved for use in typical laptop computers. To comply with FCC RF exposure requirements, it should not be used in other devices or certain laptop and tablet computer configurations where the USB connectors on the host computer are unable to provide or ensure the necessary operating configurations intended for the device and its users or bystanders to satisfy RF exposure compliance requirements.

This device complies with part 15 of the FCC rules. Operation is subject to the following two conditions: (1) this device may not cause harmful interference, and (2) this device must accept any interference received, including interference that may cause undesired operation.

NOTE: The manufacturer is not responsible for any radio or TV interference caused by unauthorized modifications to this equipment. Such modifications could void the user's authority to operate the equipment.

NOTE: This equipment has been tested and found to comply with the limits for a Class B digital device, pursuant to part 15 of the FCC Rules. These limits are designed to provide reasonable protection against harmful interference in a residential installation. This equipment generates uses and can radiate radio frequency energy and, if not installed and used in accordance with the instructions, may cause harmful interference to radio communications. However, there is no guarantee that interference will not occur in a particular installation. If this equipment does cause harmful interference to radio or television reception, which can be determined by turning the equipment off and on, the user is encouraged to try to correct the interference by one or more of the following measures:

- Reorient or relocate the receiving antenna.
- Increase the separation between the equipment and receiver.
- Connect the equipment into an outlet on a circuit different from that to which the receiver is connected.
- Consult the dealer or an experienced radio/TV technician for help