

### 1. Open the bell push

To open the front cover carefully insert a flat bladed screw driver, into the slot and twist gently (A). When refitting the front cover to ensure the weather proofing is maintained, always mount the bell push in the upright position and replace the cover securely. Fig 1

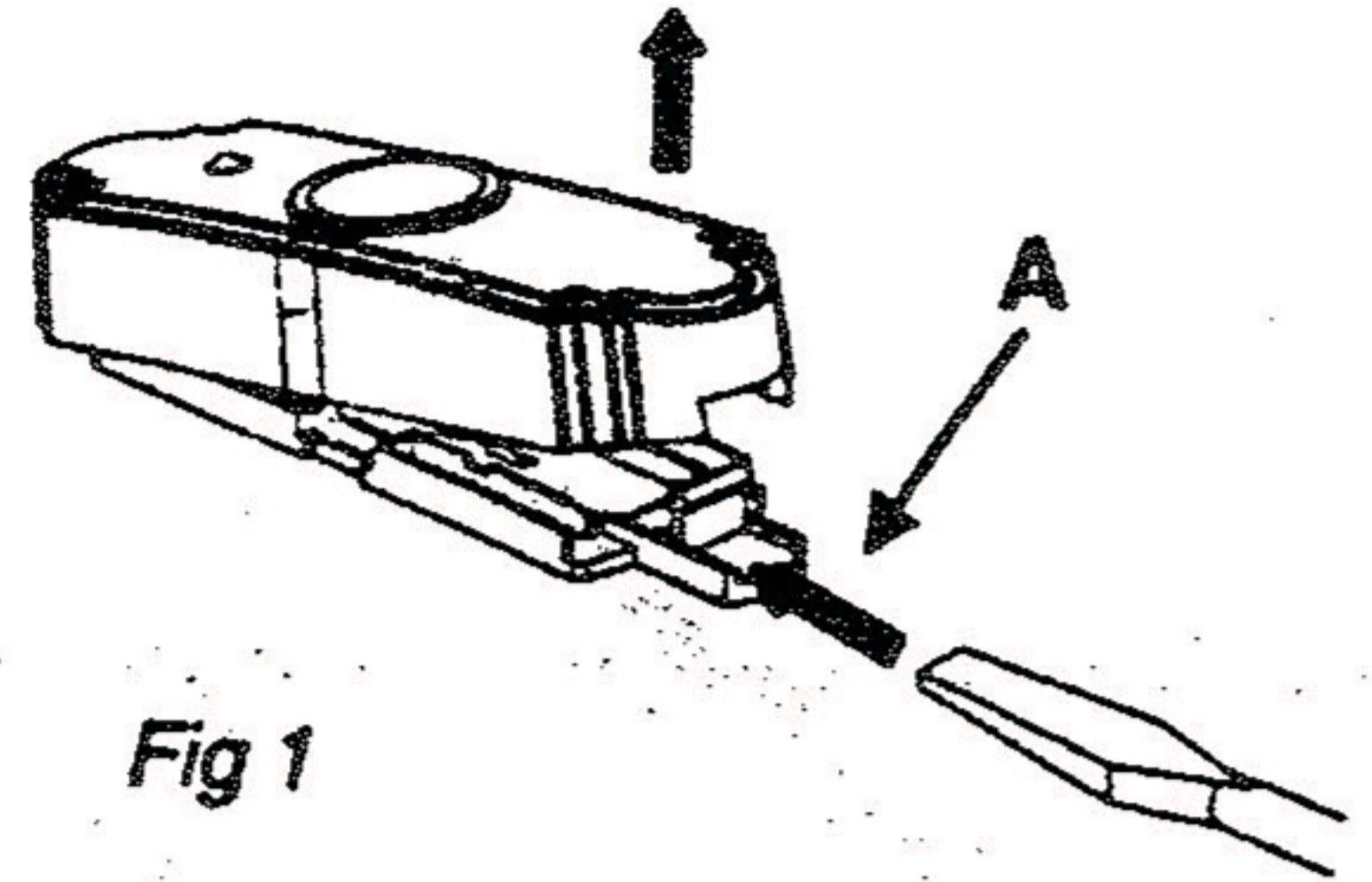


Fig 1

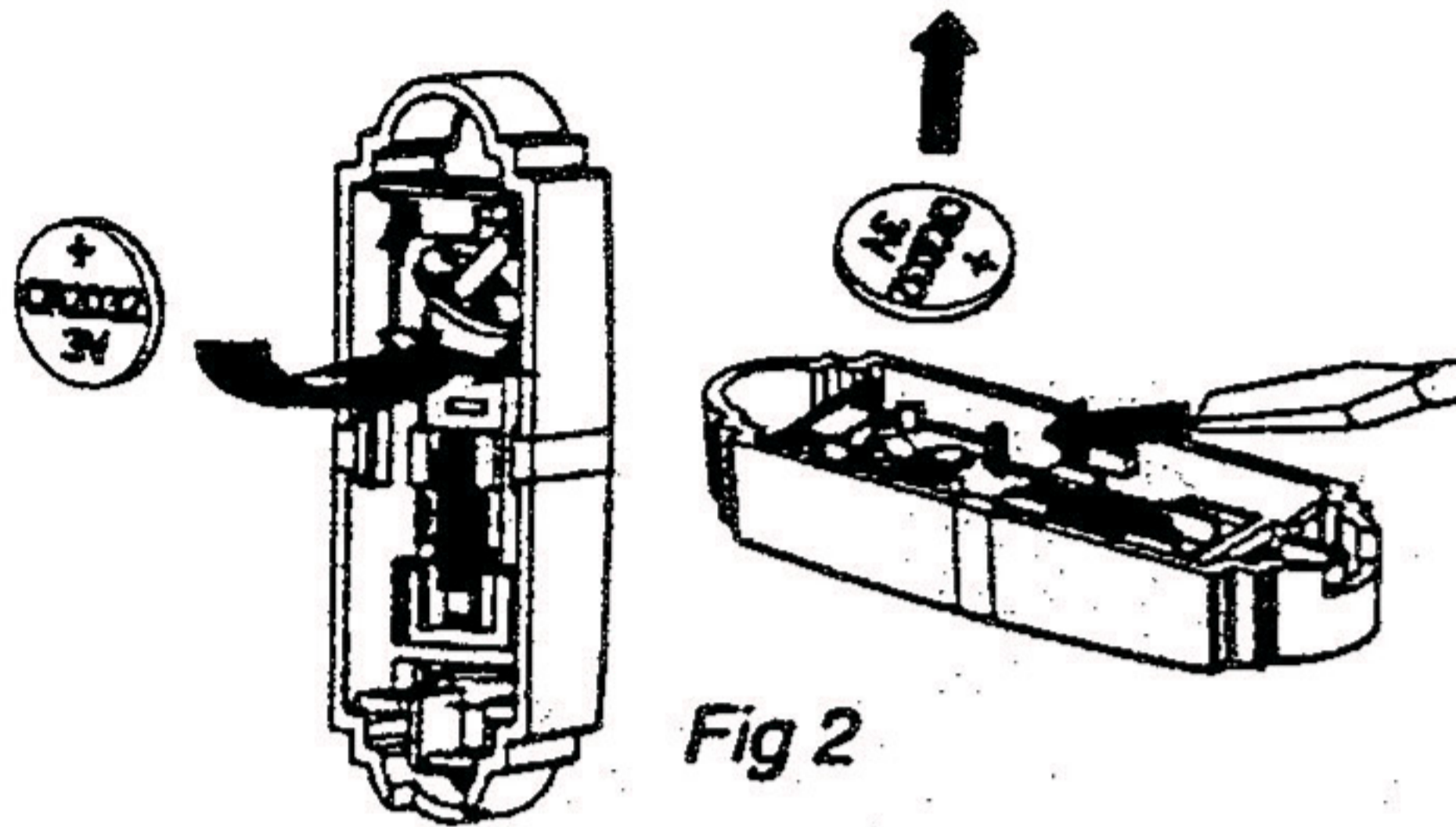


Fig 2

### 2. To fit or replace the battery

Open the front cover and insert the CR 2032 Lithium coin cell battery into the cover as shown in Fig 2. Any debris created during installation must be removed from the base before fitting battery, to ensure good contact.

### 3. Mount the bell push

Ensure the wall surface is clean and dry. Mount using the screws and wall plugs provided, See Fig 3. Do not mount the push on or near (< 30cm) large metal objects, as it will block signals from the push

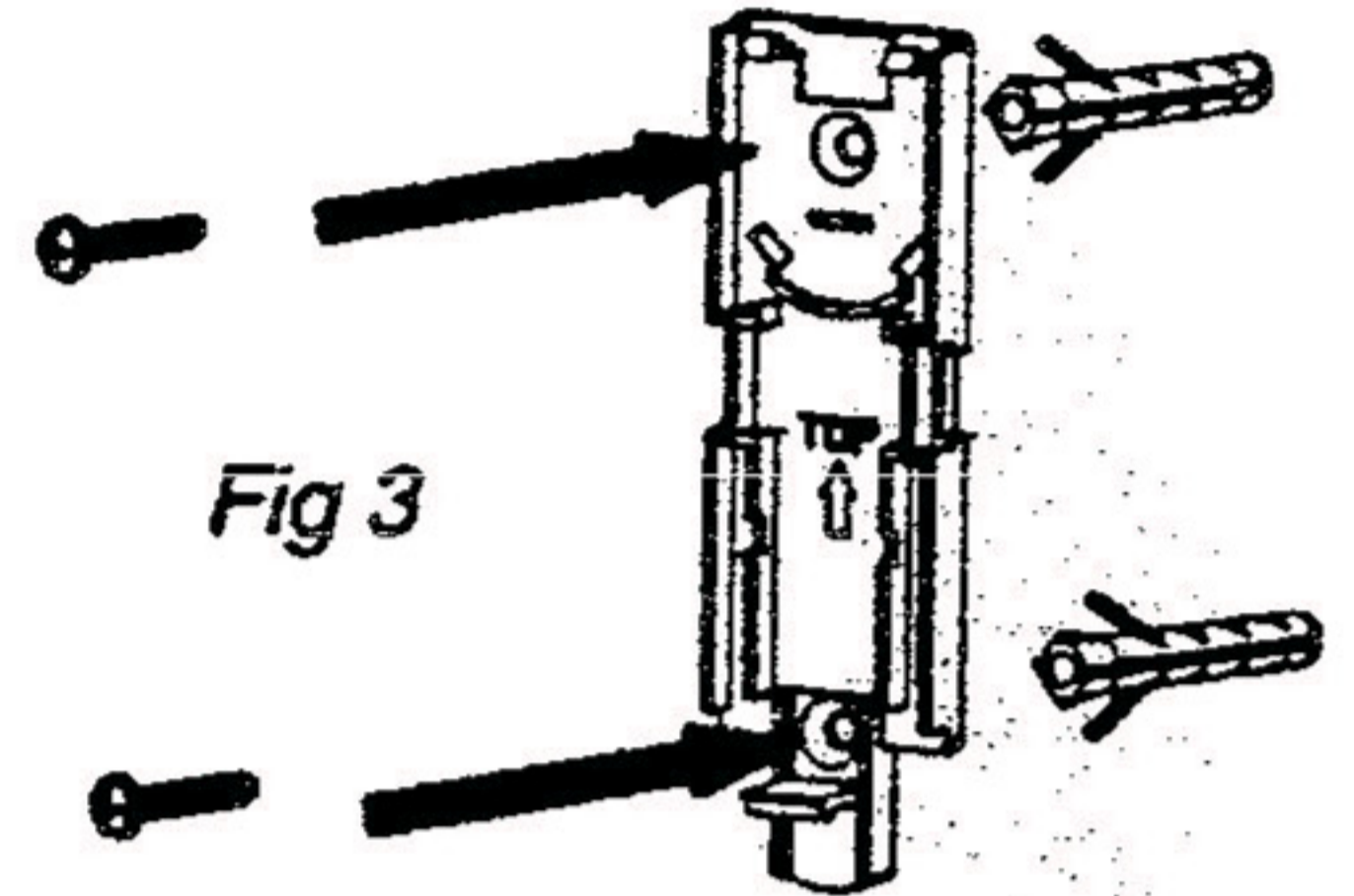


Fig 3

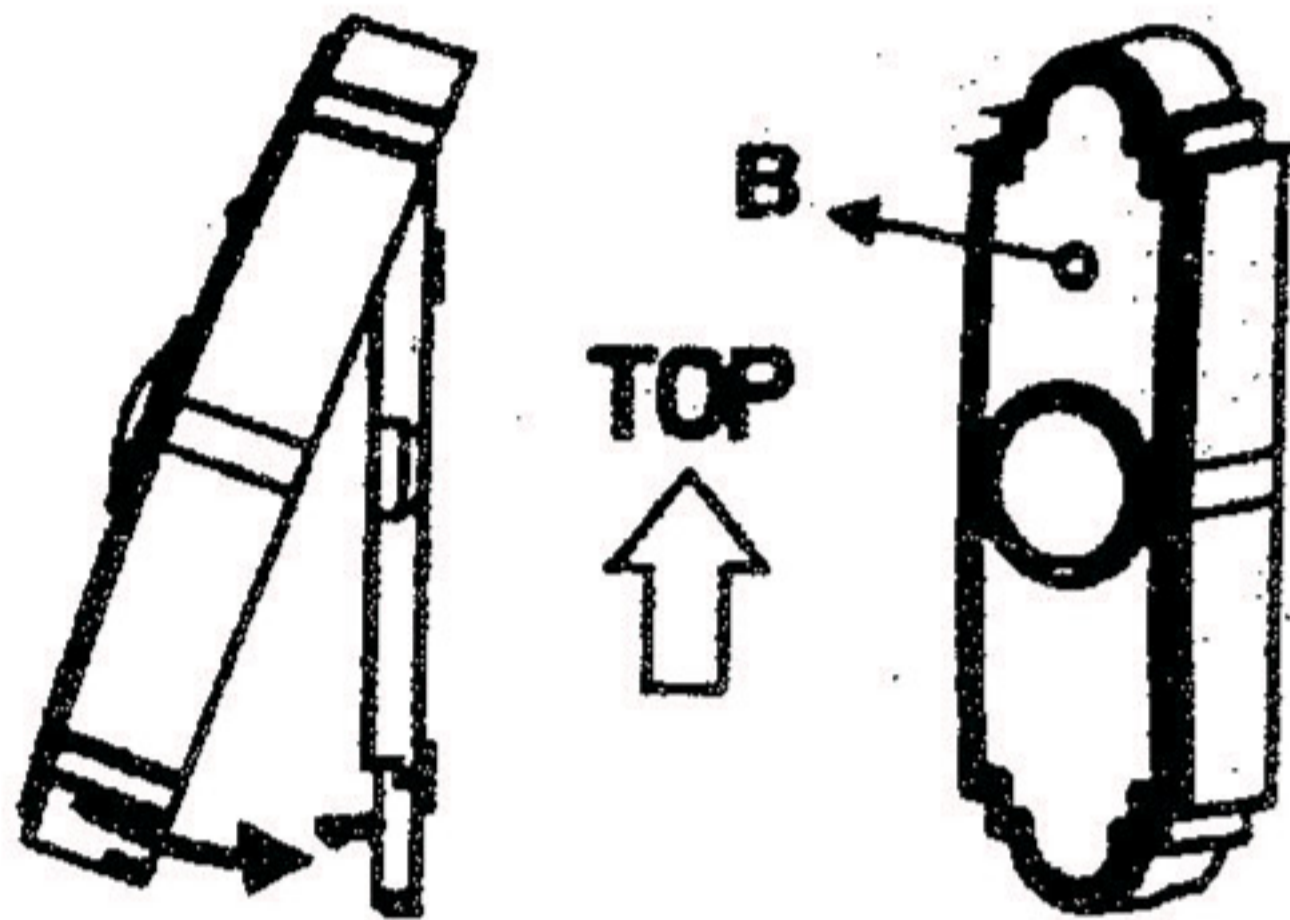


Fig 4

### 4. Test the bell push

When the bell push button is pressed, the confidence light (B) in Fig 4, will illuminate to reassure the caller that the bell push is working. The light will flash 5 times when the battery needs replacing.

Friedland guarantees this product for 3 years from date of purchase. Proof of purchase is required, this does not affect your statutory rights.

If you require further information about our products, call the Friedland helpline on 01268 563066.

Friedland a Novar business, Novar ED&S, The Arnold Centre, Paycocke Road Basildon, Essex, SS14 3EA, England [www.friedland.co.uk](http://www.friedland.co.uk)

Notice: The changes or modifications not expressly approved by the party responsible for compliance could void the user's authority to operate the equipment. To comply with the FCC RF exposure compliance requirements, no change to the antenna or the device is permitted. Any change to the antenna or the device could result in the device exceeding the RF exposure requirements and void user's authority to operate the device.

THIS DEVICE COMPLIES WITH PART 15 OF THE FCC RULES. OPERATION IS SUBJECT TO THE FOLLOWING TWO CONDITIONS: (1) THIS DEVICE MAY NOT CAUSE HARMFUL INTERFERENCE AND (2) THIS DEVICE MUST ACCEPT ANY INTERFERENCE RECEIVED, INCLUDING INTERFERENCE THAT MAY CAUSE UNDESIRABLE OPERATION