

DFS MEASUREMENT REPORT

FCC ID: SFK-WF808
Applicant: CIG Shanghai Co., Ltd.
Application Type: Certification
Product: WiFi 6 Extender
Model No.: WF-808
Brand Name: CIG
FCC Classification: Unlicensed National Information Infrastructure (NII)
FCC Rule Part(s): Part 15 Subpart E - 15.407 Section (h)(2)
KDB 905462 D02v02, KDB 905462 D04v01
Test Date: October 25 ~ 30, 2021

Reviewed By:

Sunny Sun

Approved By:

Robin Wu



The test results relate only to the samples tested.

This equipment has been shown to be capable of compliance with the applicable technical standards as indicated in the measurement report and was tested in accordance with the measurement procedures specified in KDB 905462 D02v02. Test results reported herein relate only to the item(s) tested.

The test report shall not be reproduced except in full without the written approval of MRT Technology (Suzhou) Co., Ltd.

Revision History

Report No.	Version	Description	Issue Date	Note
2105RSU006-U7	Rev. 01	Initial report	12-05-2021	Valid

CONTENTS

Description	Page
1. General Information	4
1.1. Applicant	4
1.2. Manufacturer	4
1.3. Testing Facility	4
2. PRODUCT INFORMATION.....	5
2.1. Equipment Description.....	5
2.2. Radio Specification under Test.....	5
2.3. DFS Band Carrier Frequencies Operation	6
2.4. Description of Available Antennas	6
2.5. Test Mode	7
2.6. Test Environment Condition.....	7
3. DFS DETECTION THRESHOLDS AND RADAR TEST WAVEFORMS	8
3.1. Applicability	8
3.2. DFS Devices Requirements	9
3.3. DFS Detection Threshold Values.....	10
3.4. Parameters of DFS Test Signals	11
3.5. Conducted Test Setup	14
4. TEST EQUIPMENT CALIBRATION DATE	15
5. TEST RESULT	16
5.1. Summary	16
5.2. Radar Waveform Calibration	17
5.2.1. Calibration Setup	17
5.2.2. Calibration Procedure	17
5.2.3. Calibration Result.....	18
5.2.4. Channel Loading Test Result.....	20
5.3. Statistical Performance Check Measurement	21
5.3.1. Test Limit.....	21
5.3.2. Test Procedure	21
5.3.3. Test Result	22
6. CONCLUSION	50
Appendix A - Test Setup Photograph	51
Appendix B - EUT Photograph.....	52

2. PRODUCT INFORMATION

2.1. Equipment Description

Product Name	WiFi 6 Extender
Model No.	WF-808
Brand Name	CIG
Operating Temperature	0 ~ 40°C
Wi-Fi Specification	802.11a/b/g/n/ac
Bluetooth Specification	V4.0 single mode
Power Type	AC/DC Adapter
Accessory	
AC to DC Adapter	Model: ADS0248T-W050250 Input: 100-240V ~ 50-60Hz 0.6A Output: 5V, 2.5A
Remark:	
<ol style="list-style-type: none"> EUT is open the Mesh function Via software and there is no hardware change. This report is based on the original report (report No.: 2105RSU006-U3) to add the test for Mesh function. The information of EUT was provided by the manufacturer, and the accuracy of the information shall be the responsibility of the manufacturer. 	

2.2. Radio Specification under Test

Frequency Range:	For 802.11a/n-HT20/ac-VHT20: 5260~5320MHz, 5500~5720MHz For 802.11n-HT40/ac-VHT40: 5270~5310MHz, 5510~5710MHz For 802.11ac-VHT80: 5290MHz, 5530MHz, 5610MHz, 5690MHz
Type of Modulation:	802.11a/n/ac: OFDM
Data Rate:	802.11a: 6/9/12/18/24/36/48/54Mbps 802.11n: up to 600Mbps 802.11ac: up to 1733.2Mbps
Uniform Spreading (For DFS Frequency Band)	For the 5250-5350MHz, 5470-5725 MHz bands, the Master device provides, on aggregate, uniform loading of the spectrum across all devices by selecting an operating channel among the available channels using a random algorithm.

2.3. DFS Band Carrier Frequencies Operation

802.11a/n-HT20/ac-VHT20

Channel	Frequency	Channel	Frequency	Channel	Frequency
52	5260 MHz	56	5280 MHz	60	5300 MHz
64	5320 MHz	100	5500 MHz	104	5520 MHz
108	5540 MHz	112	5560 MHz	116	5580 MHz
120	5600 MHz	124	5620 MHz	128	5640 MHz
132	5660 MHz	136	5680 MHz	140	5700 MHz
144	5720 MHz	--	--	--	--

802.11n-HT40/ac-VHT40

Channel	Frequency	Channel	Frequency	Channel	Frequency
54	5270 MHz	62	5310 MHz	102	5510 MHz
110	5550 MHz	118	5590 MHz	126	5630 MHz
134	5670 MHz	142	5710 MHz	--	--

802.11ac-VHT80

Channel	Frequency	Channel	Frequency	Channel	Frequency
58	5290 MHz	106	5530 MHz	122	5610 MHz
138	5690 MHz	--	--	--	--

2.4. Description of Available Antennas

Antenna Type	Frequency (MHz)	T _x Path	Max Antenna Gain (dBi)	Uncorrelated Antenna Gain (dBi)
Wi-Fi Antenna				
PCB Antenna	2400 ~ 2483.5	2	3.0	0.51
PCB Antenna	5150 ~ 5350	4	6.5	1.95
PCB Antenna	5470 ~ 5725	4	7.2	1.97
Bluetooth Antenna				
PCB Antenna	2400 ~ 2483.5	1	1.9	--

Note 1: The EUT supports SISO Mode for 802.11a and support MIMO mode for 802.11b/g/n/ac.

Note 2: Due to the same modulation between 802.11n and 802.11ac, so 802.11n-HT20 and HT40 are covered by 802.11ac-VHT20 and VHT40 in this report

Note 3: All information was provided by manufacturer.

2.5. Test Mode

Test Mode	Mode 1: Operating under Mesh mode
-----------	-----------------------------------

2.6. Test Environment Condition

Ambient Temp.	15 ~ 35°C
Relative Humidity	20 ~ 75%RH

3. DFS DETECTION THRESHOLDS AND RADAR TEST WAVEFORMS

3.1. Applicability

The following table from FCC KDB 905462 D02 NII DFS Compliance Procedures New Rules v02 lists the applicable requirements for the DFS testing.

Requirement	Operational Mode		
	Master	Client Without Radar Detection	Client With Radar Detection
Non-Occupancy Period	Yes	Not required	Yes
DFS Detection Threshold	Yes	Not required	Yes
Channel Availability Check Time	Yes	Not required	Not required
U-NII Detection Bandwidth	Yes	Not required	Yes

Table 3-1: Applicability of DFS Requirements Prior to Use of a Channel

Requirement	Operational Mode	
	Master Device or Client With Radar Detection	Client Without Radar Detection
DFS Detection Threshold	Yes	Not required
Channel Closing Transmission Time	Yes	Yes
Channel Move Time	Yes	Yes
U-NII Detection Bandwidth	Yes	Not required

Additional requirements for devices with multiple bandwidth modes	Master Device or Client with Radar Detection	Client Without Radar Detection
U-NII Detection Bandwidth and Statistical Performance Check	All BW modes must be tested	Not required
Channel Move Time and Channel Closing Transmission Time	Test using widest BW mode available	Test using the widest BW mode available for the link
All other tests	Any single BW mode	Not required

Note: Frequencies selected for statistical performance check should include several frequencies within the radar detection bandwidth and frequencies near the edge of the radar detection bandwidth. For 802.11 devices it is suggested to select frequencies in each of the bonded 20 MHz channels and the channel center frequency.

Table 3-2: Applicability of DFS Requirements during normal operation

3.2. DFS Devices Requirements

Per FCC KDB 905462 D02 NII DFS Compliance Procedures New Rules v02 the following are the requirements for Master Devices:

- (a) The Master Device will use DFS in order to detect Radar Waveforms with received signal strength above the DFS Detection Threshold in the 5250 ~ 5350 MHz and 5470 ~ 5725 MHz bands. DFS is not required in the 5150 ~ 5250 MHz or 5725 ~ 5825 MHz bands.
- (b) Before initiating a network on a Channel, the Master Device will perform a Channel Availability Check for a specified time duration (Channel Availability Check Time) to ensure that there is no radar system operating on the Channel, using DFS described under subsection a) above.
- (c) The Master Device initiates a U-NII network by transmitting control signals that will enable other U-NII devices to Associate with the Master Device.
- (d) During normal operation, the Master Device will monitor the Channel (In-Service Monitoring) to ensure that there is no radar system operating on the Channel, using DFS described under a).
- (e) If the Master Device has detected a Radar Waveform during In-Service Monitoring as described under d), the Operating Channel of the U-NII network is no longer an Available Channel. The Master Device will instruct all associated Client Device(s) to stop transmitting on this Channel within the Channel Move Time. The transmissions during the Channel Move Time will be limited to the Channel Closing Transmission Time.
- (f) Once the Master Device has detected a Radar Waveform it will not utilize the Channel for the duration of the Non-Occupancy Period.
- (g) If the Master Device delegates the In-Service Monitoring to a Client Device, then the combination will be tested to the requirements described under d) through f) above.

Channel Move Time and Channel Closing Transmission Time requirements are listed in the following table.

Parameter	Value
Non-occupancy period	Minimum 30 minutes
Channel Availability Check Time	60 seconds
Channel Move Time	10 seconds See Note 1.
Channel Closing Transmission Time	200 milliseconds + an aggregate of 60 milliseconds over remaining 10 second period. See Notes 1 and 2.
U-NII Detection Bandwidth	Minimum 100% of the U-NII 99% transmission power bandwidth. See Note 3.

Note 1: Channel Move Time and the Channel Closing Transmission Time should be performed with Radar Type 0. The measurement timing begins at the end of the Radar Type 0 burst.

Note 2: The Channel Closing Transmission Time is comprised of 200 milliseconds starting at the beginning of the Channel Move Time plus any additional intermittent control signals required to facilitate a Channel move (an aggregate of 60 milliseconds) during the remainder of the 10 second period. The aggregate duration of control signals will not count quiet periods in between transmissions.

Note 3: During the U-NII Detection Bandwidth detection test, radar type 0 should be used. For each frequency step the minimum percentage of detection is 90 percent. Measurements are performed with no data traffic.

Table 3-3: DFS Response Requirements

3.3. DFS Detection Threshold Values

The DFS detection thresholds are defined for Master devices and Client Devices with In-service monitoring. These detection thresholds are listed in the following table.

Maximum Transmit Power	Value (See Notes 1, 2, and 3)
EIRP ≥ 200 milliwatt	-64 dBm
EIRP < 200 milliwatt and power spectral density < 10 dBm/MHz	-62 dBm
EIRP < 200 milliwatt that do not meet the power spectral density requirement	-64 dBm

Note 1: This is the level at the input of the receiver assuming a 0 dBi receive antenna.

Note 2: Throughout these test procedures an additional 1 dB has been added to the amplitude of the test transmission waveforms to account for variations in measurement equipment. This will ensure that the test signal is at or above the detection threshold level to trigger a DFS response.

Note3: EIRP is based on the highest antenna gain. For MIMO devices refer to KDB Publication 662911 D01.

Table 3-4: Detection Thresholds for Master Devices and Client Devices with Radar Detection

3.4. Parameters of DFS Test Signals

This section provides the parameters for required test waveforms, minimum percentage of successful detections, and the minimum number of trials that must be used for determining DFS conformance. Step intervals of 0.1 microsecond for Pulse Width, 1 microsecond for PRI, 1 MHz for chirp width and 1 for the number of pulses will be utilized for the random determination of specific test waveforms.

Short Pulse Radar Test Waveforms

Radar Type	Pulse Width (μsec)	PRI (μsec)	Number of Pulses	Minimum Percentage of Successful Detection	Minimum Number of Trials
0	1	1428	18	See Note 1	See Note 1
1	1	Test A: 15 unique PRI values randomly selected from the list of 23 PRI values in Table 3-6	$\text{Roundup} \left\{ \begin{array}{l} \left(\frac{1}{360} \right) \cdot \\ \left(\frac{19 \cdot 10^6}{\text{PRI}_{\mu\text{sec}}} \right) \end{array} \right\}$	60%	30
		Test B: 15 unique PRI values randomly selected within the range of 518-3066 μsec, with a minimum increment of 1 μsec, excluding PRI values selected in Test A			
2	1-5	150-230	23-29	60%	30
3	6-10	200-500	16-18	60%	30
4	11-20	200-500	12-16	60%	30
Aggregate (Radar Types 1-4)				80%	120
Note: Short Pulse Radar Type 0 should be used for the detection bandwidth test, channel move time, and channel closing time tests.					

Table 3-5: Parameters for Short Pulse Radar Waveforms

A minimum of 30 unique waveforms are required for each of the Short Pulse Radar Types 2 through 4. If more than 30 waveforms are used for Short Pulse Radar Types 2 through 4, then each additional waveform must also be unique and not repeated from the previous waveforms.

Pulse Repetition Frequency Number	Pulse Repetition Frequency (Pulses Per Second)	Pulse Repetition Interval (Microseconds)
1	1930.5	518
2	1858.7	538
3	1792.1	558
4	1730.1	578
5	1672.2	598
6	1618.1	618
7	1567.4	638
8	1519.8	658
9	1474.9	678
10	1432.7	698
11	1392.8	718
12	1355	738
13	1319.3	758
14	1285.3	778
15	1253.1	798
16	1222.5	818
17	1193.3	838
18	1165.6	858
19	1139	878
20	1113.6	898
21	1089.3	918
22	1066.1	938
23	326.2	3066

Table 3-6: Pulse Repetition Intervals Values for Test A

Long Pulse Radar Test Waveform

Radar Type	Pulse Width (μsec)	Chirp Width (MHz)	PRI (μsec)	Number of Pulses per Burst	Number of Bursts	Minimum Percentage of Successful Detection	Minimum Number of Trials
5	50 – 100	5 – 20	1000 – 2000	1 – 3	8 – 20	80%	30

Table 3-7: Parameters for Long Pulse Radar Waveforms

The parameters for this waveform are randomly chosen. Thirty unique waveforms are required for the Long Pulse Radar Type waveforms. If more than 30 waveforms are used for the Long Pulse Radar Type waveforms, then each additional waveform must also be unique and not repeated from the previous waveforms.

Frequency Hopping Radar Test Waveform

Radar Type	Pulse Width (μsec)	PRI (μsec)	Pulses Per Hop	Hopping Rate (kHz)	Hopping Sequence Length (msec)	Minimum Percentage of Successful Detection	Minimum Number of Trials
6	1	333	9	0.333	300	70%	30

Table 3-8: Parameters for Frequency Hopping Radar Waveforms

For the Frequency Hopping Radar Type, the same Burst parameters are used for each waveform. The hopping sequence is different for each waveform and a 100-length segment is selected from the hopping sequence defined by the following algorithm:

The first frequency in a hopping sequence is selected randomly from the group of 475 integer frequencies from 5250 – 5724MHz. Next, the frequency that was just chosen is removed from the group and a frequency is randomly selected from the remaining 474 frequencies in the group. This process continues until all 475 frequencies are chosen for the set. For selection of a random frequency, the frequencies remaining within the group are always treated as equally likely.

3.5. Conducted Test Setup

The FCC KDB 905462 D02 NII DFS Compliance Procedures New Rules v02 describes a radiated test setup and a conducted test setup. The conducted test setup was used for this testing. Figure 3-1 shows the typical test setup.

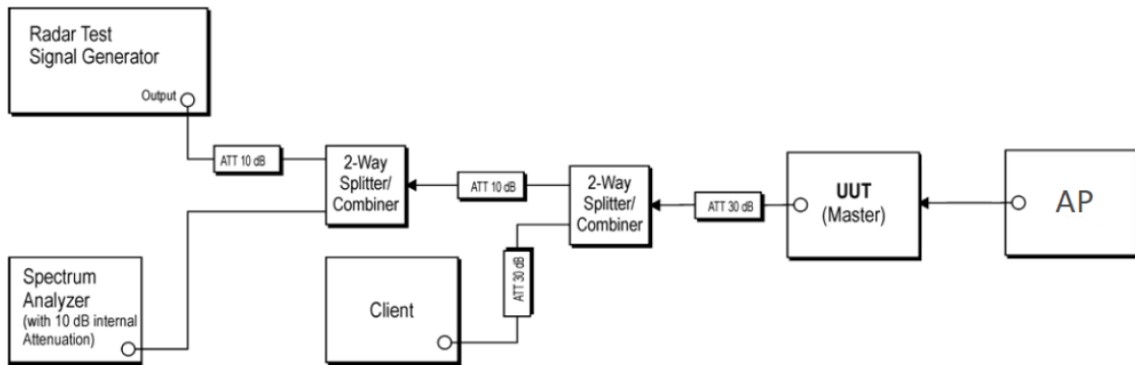


Figure 3-1: Conducted Test Setup where UUT is a Master and Radar Test Waveforms are injected into the Masters

4. TEST EQUIPMENT CALIBRATION DATE

Dynamic Frequency Selection (WZ-SR4)

Instrument	Manufacturer	Type No.	Asset No.	Cali. Interval	Cali. Due Date
Signal Analyzer	R&S	FSV40	MRTSUE06218	1 year	2022/04/13
Vector Signal Generator	Agilent	E4438C	MRTSUE06026	1 year	2022/10/27
Vector Signal Generator	R&S	SMBV100A	MRTSUE06279	1 year	2022/04/13
MXG Vector Signal Generator	KEYSIGHT	N5182B	MRTSUE06451	1 year	2022/06/24
Thermal Hygrometer	testo	608-H1	MRTSUE06222	1 year	2022/10/12

Dynamic Frequency Selection (SIP-TR2)

Instrument	Manufacturer	Type No.	Asset No.	Cali. Interval	Cali. Due Date
EXA Signal Analyzer	KEYSIGHT	N9010B	MRTSUE06603	1 year	2022/10/31
Vector Signal Generator	Keysight	N5182B	MRTSUE06605	1 year	2022/10/31
Thermal Hygrometer	testo	622	MRTSUE06628	1 year	2022/11/02

Software	Version	Manufacturer	Function
Pulse Building	N/A	Agilent	Radar Signal Generation Software
R&S Pulse Sequencer DFS	V 1.4	R&S	DFS Test Software
DFS Tool	V 6.9.2	Agilent	DFS Test Software
N7606C Signal Studio	V2.0.0.0	Keysight	DFS Test Software

5. TEST RESULT

5.1. Summary

Parameter	Limit	Test Result	Reference
Statistical Performance Check	Refer Table 3-3	Pass	Section 5.3

5.2. Radar Waveform Calibration

5.2.1. Calibration Setup

The conducted test setup was used for this calibration testing. Figure 3-2 shows the typical test setup.

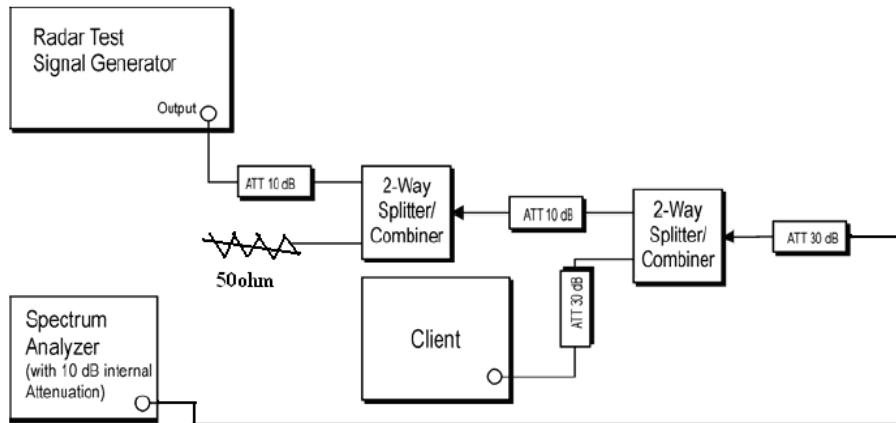


Figure 3-2: Conducted Test Setup

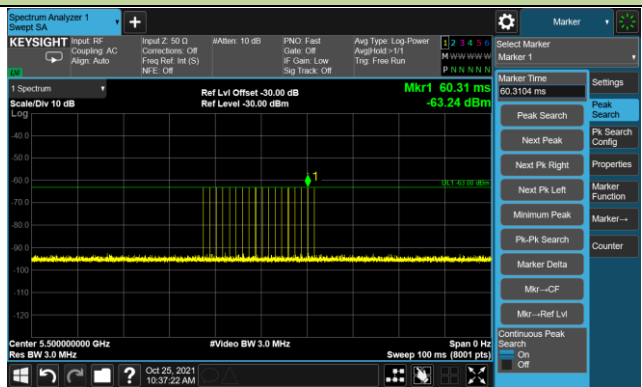
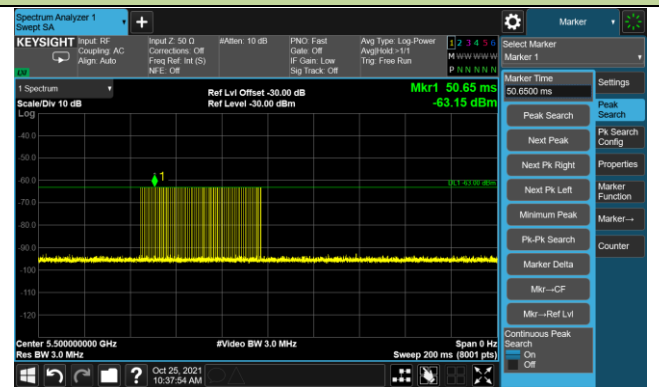
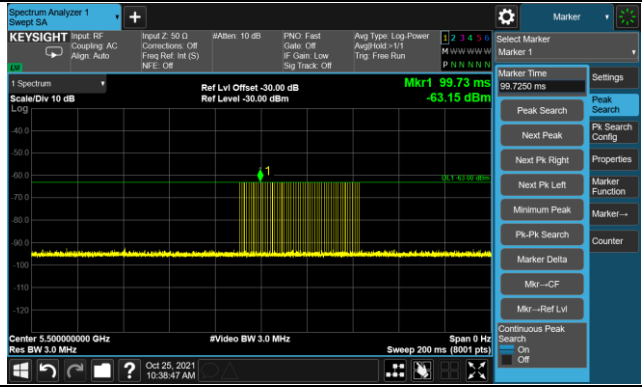
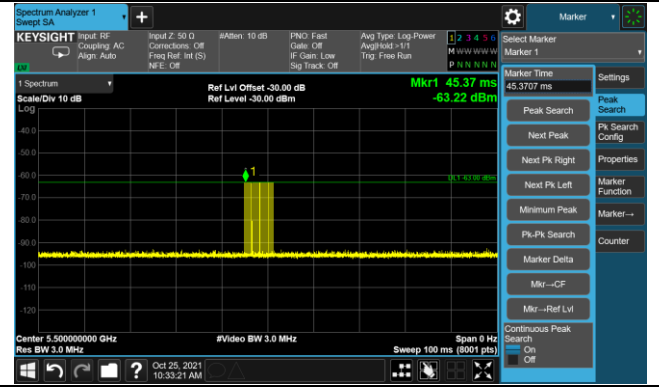
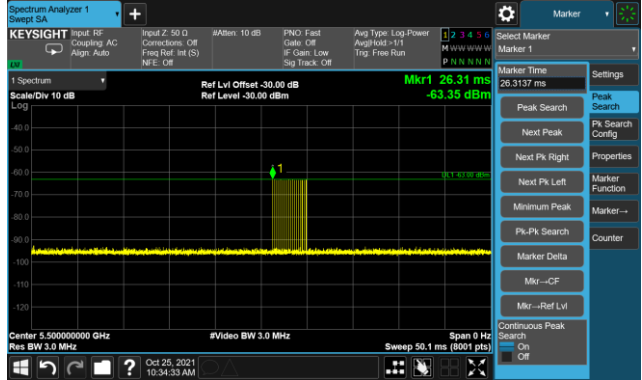
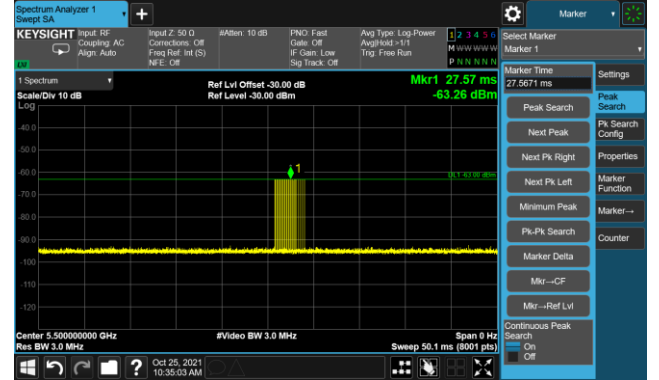
5.2.2. Calibration Procedure

The Interference Radar Detection Threshold Level is $(-64\text{dBm}) + (0) [\text{dBi}] + 1 \text{ dB} = -63 \text{ dBm}$ that had been taken into account the output power range and antenna gain. The above equipment setup was used to calibrate the conducted Radar Waveform. A vector signal generator was utilized to establish the test signal level for each radar type. During this process there were replace 50ohm terminal form Master and Client device and no transmissions by either the Master or Client Device. The spectrum analyzer was switched to the zero span (Time Domain) at the frequency of the Radar Waveform generator. Peak detection was used. The spectrum analyzer resolution bandwidth (RBW) and video bandwidth (VBW) were set to at least 3MHz. The vector signal generator amplitude was set so that the power level measured at the spectrum analyzer was $(-64\text{dBm}) + (0) [\text{dBi}] + 1 \text{ dB} = -63\text{dBm}$. Capture the spectrum analyzer plots on short pulse radar types, long pulse radar type and hopping radar waveform.

5.2.3. Calibration Result

Product	WiFi 6 Extender	Test Engineer	Jake Lan
Test Site	WZ-SR4	Test Date	2021/10/25
Test Item	Radar Waveform Calibration		

Radar Waveform Calibration

<h3>Radar #0</h3> 	<h3>Radar #1 (Test A)</h3> <p>PRI = 758us and the number of pulses = 70</p> 
<h3>Radar #1 (Test B)</h3> <p>PRI = 1023us and the number of pulses = 52</p> 	<h3>Radar #2</h3> 
<h3>Radar #3</h3> 	<h3>Radar #4</h3> 



5.2.4. Channel Loading Test Result

Product	WiFi 6 Extender	Test Engineer	Jake Lan
Test Site	WZ-SR4	Test Date	2021/10/27
Test Item	Channel Loading		

Channel Loading Plot																																												
<div style="text-align: center;"> <h4>802.11ac-VHT20 5500MHz</h4> <table border="1"> <thead> <tr> <th>Mode</th> <th>Trace</th> <th>Scale</th> <th>X</th> <th>Y</th> <th>Function</th> <th>Function Width</th> <th>Function Value</th> </tr> </thead> <tbody> <tr> <td>1</td> <td>Δ</td> <td>t</td> <td>5.029 ms (Δ)</td> <td>2.486 dB</td> <td></td> <td></td> <td></td> </tr> <tr> <td>2</td> <td>F</td> <td>t</td> <td>128.2 ms</td> <td>-51.79 dBm</td> <td></td> <td></td> <td></td> </tr> <tr> <td>3</td> <td>Δ</td> <td>t</td> <td>27.96 ms (Δ)</td> <td>-2.281 dB</td> <td></td> <td></td> <td></td> </tr> <tr> <td>4</td> <td>F</td> <td>t</td> <td>128.2 ms</td> <td>-51.79 dBm</td> <td></td> <td></td> <td></td> </tr> </tbody> </table> </div>					Mode	Trace	Scale	X	Y	Function	Function Width	Function Value	1	Δ	t	5.029 ms (Δ)	2.486 dB				2	F	t	128.2 ms	-51.79 dBm				3	Δ	t	27.96 ms (Δ)	-2.281 dB				4	F	t	128.2 ms	-51.79 dBm			
Mode	Trace	Scale	X	Y	Function	Function Width	Function Value																																					
1	Δ	t	5.029 ms (Δ)	2.486 dB																																								
2	F	t	128.2 ms	-51.79 dBm																																								
3	Δ	t	27.96 ms (Δ)	-2.281 dB																																								
4	F	t	128.2 ms	-51.79 dBm																																								
Test Mode	Test Frequency	Packet ratio	Requirement ratio	Test Result																																								
802.11ac-VHT20	5500 MHz	17.99%	≥ 17%	Pass																																								
<p>Note: System testing was performed with the designated iperf test file. This file is used by IP and Frame based systems for loading the test channel during the In-service compliance testing of the U-NII device. Packet ratio = Time On / (Time On + Off Time).</p>																																												

5.3. Statistical Performance Check Measurement

5.3.1. Test Limit

The minimum percentage of successful detection requirements found in below table when a radar burst with a level equal to the DFS Detection Threshold + 1dB is generated on the Operating Channel of the U-NII device (In- Service Monitoring).

Radar Type	Minimum Number of Trails	Detection Probability
0	30	Pd > 60%
1	30(15 of test A and 15 of test B)	Pd > 60%
2	30	Pd > 60%
3	30	Pd > 60%
4	30	Pd > 60%
Aggregate (Radar Types 1-4)	120	Pd > 80%
5	30	Pd > 80%
6	30	Pd > 70%

Note: The percentage of successful detection is calculated by:
 $(\text{Total Waveform Detections} / \text{Total Waveform Trails}) * 100 = \text{Probability of Detection Radar Waveform}$
 In addition an aggregate minimum percentage of successful detection across all Short Pulse Radar Types 1-4 is required and is calculated as follows: $(Pd1 + Pd2 + Pd3 + Pd4) / 4$.

5.3.2. Test Procedure

1. Stream the MPEG test file from the Master Device to the Client Device on the test Channel for the entire period of the test.
2. At time T0 the Radar Waveform generator sends the individual waveform for each of the Radar Types 1-6, at levels equal to the DFS Detection Threshold + 1dB, on the Operating Channel.
3. Observe the transmissions of the EUT at the end of the Burst on the Operating Channel for duration greater than 10 seconds for Short Pulse Radar Types 0 to ensure detection occurs.
4. Observe the transmissions of the EUT at the end of the Burst on the Operating Channel for duration greater than 22 seconds for Long Pulse Radar Type 5 to ensure detection occurs.
5. The device can utilize a test mode to demonstrate when detection occurs to prevent the need to reset the device between trial runs.
6. The Minimum number of trails, minimum percentage of successful detection and the average minimum percentage of successful detection are found in below table.

5.3.3. Test Result

Product	WiFi 6 Extender	Test Engineer	Jake Lan
Test Site	WZ-SR4	Test Date	2021/10/30
Test Item	Radar Statistical Performance Check (802.11ac-VHT20 mode - 5500MHz)		
Test Mode	Mode 1		

Radar Type 1 - Radar Statistical Performance

Trail #	Test Freq. (MHz)	1=Detection 0=No Detection	Trail #	Test Freq. (MHz)	1=Detection 0=No Detection
1	5507	1	16	5500	1
2	5501	1	17	5496	1
3	5495	1	18	5504	1
4	5506	1	19	5506	1
5	5496	1	20	5502	1
6	5490	1	21	5509	1
7	5508	1	22	5503	1
8	5495	1	23	5505	1
9	5499	1	24	5491	1
10	5497	1	25	5497	1
11	5510	1	26	5501	1
12	5496	1	27	5500	1
13	5502	1	28	5495	1
14	5503	1	29	5500	1
15	5509	1	30	5492	1
Detection Percentage (%)					100.0%

Radar Type 2 - Radar Statistical Performance

Trail #	Test Freq. (MHz)	1=Detection 0=No Detection	Trail #	Test Freq. (MHz)	1=Detection 0=No Detection
1	5494	1	16	5501	1
2	5490	1	17	5497	1
3	5492	1	18	5506	1
4	5503	1	19	5490	1
5	5506	1	20	5496	1
6	5505	1	21	5505	1
7	5490	1	22	5507	0
8	5509	1	23	5492	0
9	5494	1	24	5491	1
10	5506	1	25	5505	1
11	5510	1	26	5490	1
12	5509	0	27	5508	1
13	5491	1	28	5500	1
14	5502	1	29	5501	1
15	5500	1	30	5499	1
Detection Percentage (%)					90.0%

Radar Type 3 - Radar Statistical Performance

Trail #	Test Freq. (MHz)	1=Detection 0=No Detection	Trail #	Test Freq. (MHz)	1=Detection 0=No Detection
1	5505	1	16	5493	0
2	5502	0	17	5491	1
3	5506	1	18	5495	1
4	5499	1	19	5510	1
5	5493	1	20	5493	1
6	5491	1	21	5492	1
7	5493	0	22	5504	1
8	5500	1	23	5501	1
9	5502	1	24	5499	1
10	5504	1	25	5507	0
11	5503	1	26	5505	1
12	5496	0	27	5497	1
13	5499	1	28	5490	1
14	5510	0	29	5498	1
15	5498	1	30	5492	1
Detection Percentage (%)					80%

Radar Type 4 - Radar Statistical Performance

Trail #	Test Freq. (MHz)	1=Detection 0=No Detection	Trail #	Test Freq. (MHz)	1=Detection 0=No Detection
1	5501	1	16	5502	1
2	5504	1	17	5505	1
3	5496	1	18	5499	1
4	5506	0	19	5502	1
5	5503	1	20	5498	1
6	5497	0	21	5509	1
7	5492	0	22	5500	1
8	5490	1	23	5506	1
9	5506	1	24	5495	1
10	5491	1	25	5504	1
11	5510	1	26	5491	1
12	5491	1	27	5501	1
13	5506	1	28	5503	1
14	5496	1	29	5510	1
15	5507	1	30	5507	1
Detection Percentage (%)					90%

Note: In addition, an average minimum percentage of successful detection across all four Short pulse radar

test waveforms is as follows: $\frac{P_d1 + P_d2 + P_d3 + P_d4}{4} = (100\% + 90.0\% + 80\% + 90\%) / 4 = 90\% (>80\%)$

Type 1 Radar Statistical Performance

	Trial Id	Radar Type	Pulse Width (us)	PRI (us)	Number of Pulses	Waveform Length (us)
Download	0	Type 1	1.0	798.0	67	53466.0
Download	1	Type 1	1.0	718.0	74	53132.0
Download	2	Type 1	1.0	638.0	83	52954.0
Download	3	Type 1	1.0	518.0	102	52836.0
Download	4	Type 1	1.0	898.0	59	52982.0
Download	5	Type 1	1.0	818.0	65	53170.0
Download	6	Type 1	1.0	3066.0	18	55188.0
Download	7	Type 1	1.0	758.0	70	53060.0
Download	8	Type 1	1.0	578.0	92	53176.0
Download	9	Type 1	1.0	678.0	78	52884.0
Download	10	Type 1	1.0	918.0	58	53244.0
Download	11	Type 1	1.0	878.0	61	53558.0
Download	12	Type 1	1.0	738.0	72	53136.0
Download	13	Type 1	1.0	658.0	81	53298.0
Download	14	Type 1	1.0	838.0	63	52794.0
Download	15	Type 1	1.0	1750.0	31	54250.0
Download	16	Type 1	1.0	1067.0	50	53350.0
Download	17	Type 1	1.0	2207.0	24	52968.0
Download	18	Type 1	1.0	1924.0	28	53872.0
Download	19	Type 1	1.0	3022.0	18	54396.0
Download	20	Type 1	1.0	2138.0	25	53450.0
Download	21	Type 1	1.0	973.0	55	53515.0
Download	22	Type 1	1.0	3042.0	18	54756.0
Download	23	Type 1	1.0	1711.0	31	53041.0
Download	24	Type 1	1.0	2065.0	26	53690.0
Download	25	Type 1	1.0	2453.0	22	53966.0
Download	26	Type 1	1.0	1004.0	53	53212.0
Download	27	Type 1	1.0	2796.0	19	53124.0
Download	28	Type 1	1.0	779.0	68	52972.0
Download	29	Type 1	1.0	1347.0	40	53880.0

Type 2 Radar Statistical Performance

	Trial Id	Radar Type	Pulse Width (us)	PRI (us)	Number of Pulses	Waveform Length (us)
Download	0	Type 2	2.5	182.0	25	4550.0
Download	1	Type 2	3.2	152.0	26	3952.0
Download	2	Type 2	3.0	207.0	26	5382.0
Download	3	Type 2	2.2	227.0	25	5675.0
Download	4	Type 2	3.1	151.0	26	3926.0
Download	5	Type 2	3.7	187.0	27	5049.0
Download	6	Type 2	3.0	198.0	26	5148.0
Download	7	Type 2	1.9	174.0	24	4176.0
Download	8	Type 2	1.3	178.0	23	4094.0
Download	9	Type 2	4.2	218.0	28	6104.0
Download	10	Type 2	1.5	176.0	23	4048.0
Download	11	Type 2	1.5	191.0	23	4393.0
Download	12	Type 2	3.5	210.0	27	5670.0
Download	13	Type 2	4.9	209.0	29	6061.0
Download	14	Type 2	3.0	193.0	26	5018.0
Download	15	Type 2	2.7	177.0	25	4425.0
Download	16	Type 2	4.4	169.0	28	4732.0
Download	17	Type 2	3.2	170.0	26	4420.0
Download	18	Type 2	3.0	157.0	26	4082.0
Download	19	Type 2	1.8	155.0	24	3720.0
Download	20	Type 2	4.7	190.0	29	5510.0
Download	21	Type 2	1.4	196.0	23	4508.0
Download	22	Type 2	3.5	171.0	27	4617.0
Download	23	Type 2	2.9	160.0	26	4160.0
Download	24	Type 2	4.4	226.0	28	6328.0
Download	25	Type 2	4.6	228.0	29	6612.0
Download	26	Type 2	4.8	153.0	29	4437.0
Download	27	Type 2	1.5	188.0	23	4324.0
Download	28	Type 2	2.8	161.0	26	4186.0
Download	29	Type 2	3.8	219.0	27	5913.0

Type 3 Radar Statistical Performance

	Trial Id	Radar Type	Pulse Width (us)	PRI (us)	Number of Pulses	Waveform Length (us)
Download	0	Type 3	7.5	291.0	17	4947.0
Download	1	Type 3	8.2	277.0	17	4709.0
Download	2	Type 3	8.0	494.0	17	8398.0
Download	3	Type 3	7.2	225.0	16	3600.0
Download	4	Type 3	8.1	304.0	17	5168.0
Download	5	Type 3	8.7	239.0	18	4302.0
Download	6	Type 3	8.0	252.0	17	4284.0
Download	7	Type 3	6.9	238.0	16	3808.0
Download	8	Type 3	6.3	317.0	16	5072.0
Download	9	Type 3	9.2	259.0	18	4662.0
Download	10	Type 3	6.5	266.0	16	4256.0
Download	11	Type 3	6.5	421.0	16	6736.0
Download	12	Type 3	8.5	478.0	17	8126.0
Download	13	Type 3	9.9	301.0	18	5418.0
Download	14	Type 3	8.0	326.0	17	5542.0
Download	15	Type 3	7.7	418.0	17	7106.0
Download	16	Type 3	9.4	298.0	18	5364.0
Download	17	Type 3	8.2	224.0	17	3808.0
Download	18	Type 3	8.0	331.0	17	5627.0
Download	19	Type 3	6.8	216.0	16	3456.0
Download	20	Type 3	9.7	480.0	18	8640.0
Download	21	Type 3	6.4	243.0	16	3888.0
Download	22	Type 3	8.5	405.0	17	6885.0
Download	23	Type 3	7.9	265.0	17	4505.0
Download	24	Type 3	9.4	348.0	18	6264.0
Download	25	Type 3	9.6	289.0	18	5202.0
Download	26	Type 3	9.8	324.0	18	5832.0
Download	27	Type 3	6.5	281.0	16	4496.0
Download	28	Type 3	7.8	467.0	17	7939.0
Download	29	Type 3	8.8	372.0	18	6696.0

Type 4 Radar Statistical Performance

	Trial Id	Radar Type	Pulse Width (us)	PRI (us)	Number of Pulses	Waveform Length (us)
Download	0	Type 4	14.3	291.0	13	3783.0
Download	1	Type 4	15.9	277.0	14	3878.0
Download	2	Type 4	15.5	494.0	14	6916.0
Download	3	Type 4	13.8	225.0	13	2925.0
Download	4	Type 4	15.7	304.0	14	4256.0
Download	5	Type 4	17.1	239.0	15	3585.0
Download	6	Type 4	15.4	252.0	14	3528.0
Download	7	Type 4	13.0	238.0	13	3094.0
Download	8	Type 4	11.7	317.0	12	3804.0
Download	9	Type 4	18.1	259.0	15	3885.0
Download	10	Type 4	12.2	266.0	12	3192.0
Download	11	Type 4	12.2	421.0	12	5052.0
Download	12	Type 4	16.6	478.0	15	7170.0
Download	13	Type 4	19.6	301.0	16	4816.0
Download	14	Type 4	15.5	326.0	14	4564.0
Download	15	Type 4	14.8	418.0	14	5852.0
Download	16	Type 4	18.6	298.0	16	4768.0
Download	17	Type 4	16.0	224.0	14	3136.0
Download	18	Type 4	15.5	331.0	14	4634.0
Download	19	Type 4	12.8	216.0	13	2808.0
Download	20	Type 4	19.2	480.0	16	7680.0
Download	21	Type 4	12.0	243.0	12	2916.0
Download	22	Type 4	16.7	405.0	15	6075.0
Download	23	Type 4	15.3	265.0	14	3710.0
Download	24	Type 4	18.6	348.0	16	5568.0
Download	25	Type 4	19.0	289.0	16	4624.0
Download	26	Type 4	19.6	324.0	16	5184.0
Download	27	Type 4	12.2	281.0	12	3372.0
Download	28	Type 4	14.9	467.0	14	6538.0
Download	29	Type 4	17.2	372.0	15	5580.0

Radar Type 5 - Radar Statistical Performance

Trail #	Test Freq. (MHz)	1=Detection 0=No Detection	Trail #	Test Freq. (MHz)	1=Detection 0=No Detection
1	5500.0	1	16	5494.4	1
2	5500.0	1	17	5497.2	1
3	5500.0	1	18	5495.2	1
4	5500.0	0	19	5495.2	1
5	5500.0	1	20	5493.2	0
6	5500.0	1	21	5502.4	1
7	5500.0	1	22	5507.6	1
8	5500.0	1	23	5504.0	1
9	5500.0	0	24	5505.2	1
10	5500.0	1	25	5502.8	1
11	5492.8	1	26	5502.4	1
12	5492.8	1	27	5502.0	1
13	5495.6	1	28	5507.2	1
14	5498.0	1	29	5505.2	1
15	5495.2	1	30	5503.6	0
Detection Percentage (%)					86.7%

Type 5 Radar Waveform_1							
Burst ID	Burst Offset (us)	Pulse Width (us)	Chirp Width (MHz)	Number of Pulses per Burst	PRI-1 (us)	PRI-2 (us)	PRI-3 (us)
0	610106.0	68.5	10	2	1467.0	1329.0	-
1	851574.0	77.0	10	2	1528.0	1719.0	-
2	96553.0	74.8	10	2	1748.0	1625.0	-
3	339017.0	65.4	10	1	1162.0	-	-
4	580006.0	76.1	10	2	1384.0	1943.0	-
5	820656.0	84.1	10	3	1527.0	1104.0	2000.0
6	66811.0	74.5	10	2	1516.0	1389.0	-
7	309161.0	61.1	10	1	1214.0	-	-
8	551390.0	54.2	10	1	1228.0	-	-
9	790987.0	89.5	10	3	1218.0	1493.0	1836.0
10	37063.0	56.6	10	1	1824.0	-	-
11	279105.0	56.7	10	1	1995.0	-	-

Type 5 Radar Waveform_2

Burst ID	Burst Offset (us)	Pulse Width (us)	Chirp Width (MHz)	Number of Pulses per Burst	PRI-1 (us)	PRI-2 (us)	PRI-3 (us)
0	416295.0	81.0	13	2	1413.0	1385.0	-
1	607909.0	97.7	13	3	1802.0	1699.0	1562.0
2	5782.0	75.1	13	2	1853.0	1447.0	-
3	199248.0	71.0	13	2	1042.0	1290.0	-
4	392154.0	92.1	13	3	1101.0	1183.0	1174.0
5	586122.0	77.7	13	2	1236.0	1158.0	-
6	778904.0	75.1	13	2	1813.0	1260.0	-
7	175566.0	60.1	13	1	1660.0	-	-
8	368218.0	95.2	13	3	1595.0	1013.0	1151.0
9	563177.0	55.6	13	1	1142.0	-	-
10	754918.0	81.4	13	2	1485.0	1776.0	-
11	151538.0	73.8	13	2	1360.0	1239.0	-
12	343927.0	92.0	13	3	1694.0	1925.0	1304.0
13	537037.0	94.0	13	3	1593.0	1891.0	1028.0
14	730634.0	97.4	13	3	1474.0	1169.0	1143.0

Type 5 Radar Waveform_3

Burst ID	Burst Offset (us)	Pulse Width (us)	Chirp Width (MHz)	Number of Pulses per Burst	PRI-1 (us)	PRI-2 (us)	PRI-3 (us)
0	137097.0	56.7	12	1	1170.0	-	-
1	344114.0	72.0	12	2	1302.0	1316.0	-
2	550696.0	84.6	12	3	1311.0	1190.0	1152.0
3	757775.0	95.7	12	3	1490.0	1003.0	1069.0
4	111503.0	50.0	12	1	1342.0	-	-
5	318644.0	76.3	12	2	1153.0	1309.0	-
6	526419.0	56.9	12	1	1670.0	-	-
7	732314.0	80.6	12	2	1956.0	1560.0	-
8	85605.0	87.8	12	3	1900.0	1074.0	1673.0
9	292444.0	94.3	12	3	1233.0	1271.0	1902.0
10	500307.0	73.7	12	2	1026.0	1592.0	-
11	707459.0	67.8	12	2	1323.0	1412.0	-
12	60235.0	69.1	12	2	1524.0	1740.0	-
13	267827.0	61.3	12	1	1667.0	-	-

Type 5 Radar Waveform_4

Burst ID	Burst Offset (us)	Pulse Width (us)	Chirp Width (MHz)	Number of Pulses per Burst	PRI-1 (us)	PRI-2 (us)	PRI-3 (us)
0	554626.0	59.0	9	1	1763.0	-	-
1	794377.0	93.6	9	3	1547.0	1399.0	1764.0
2	40573.0	71.6	9	2	1242.0	1090.0	-
3	282743.0	60.1	9	1	1611.0	-	-
4	524925.0	52.5	9	1	1532.0	-	-
5	763862.0	94.3	9	3	1957.0	1863.0	1907.0
6	10745.0	95.9	9	3	1482.0	1960.0	1018.0
7	252635.0	70.1	9	2	1086.0	1638.0	-
8	495109.0	65.9	9	1	1508.0	-	-
9	737204.0	56.3	9	1	1603.0	-	-
10	977164.0	90.4	9	3	1065.0	1695.0	1068.0
11	223091.0	57.9	9	1	1610.0	-	-

Type 5 Radar Waveform_5

Burst ID	Burst Offset (us)	Pulse Width (us)	Chirp Width (MHz)	Number of Pulses per Burst	PRI-1 (us)	PRI-2 (us)	PRI-3 (us)
0	398138.0	83.3	13	2	1241.0	1496.0	-
1	604915.0	72.3	13	2	1397.0	1965.0	-
2	813595.0	62.8	13	1	1668.0	-	-
3	164936.0	95.6	13	3	1825.0	1495.0	1777.0
4	373285.0	50.9	13	1	1196.0	-	-
5	579679.0	73.4	13	2	1644.0	1320.0	-
6	786702.0	82.2	13	2	1253.0	1866.0	-
7	139671.0	86.7	13	3	1202.0	1621.0	1119.0
8	346950.0	67.8	13	2	1459.0	1619.0	-
9	553319.0	89.2	13	3	1420.0	1574.0	1269.0
10	761076.0	69.7	13	2	1390.0	1855.0	-
11	114128.0	93.8	13	3	1479.0	1523.0	1344.0
12	321860.0	56.5	13	1	1948.0	-	-
13	528349.0	80.5	13	2	1648.0	1792.0	-

Type 5 Radar Waveform_6

Burst ID	Burst Offset (us)	Pulse Width (us)	Chirp Width (MHz)	Number of Pulses per Burst	PRI-1 (us)	PRI-2 (us)	PRI-3 (us)
0	642960.0	74.0	15	2	1805.0	1801.0	-
1	77676.0	67.1	15	2	1449.0	1335.0	-
2	258564.0	87.3	15	3	1240.0	1436.0	1075.0
3	439837.0	76.8	15	2	1697.0	1571.0	-
4	621171.0	68.3	15	2	1255.0	1739.0	-
5	55421.0	59.8	15	1	1865.0	-	-
6	237038.0	56.0	15	1	1327.0	-	-
7	416503.0	98.8	15	3	1951.0	1871.0	1281.0
8	598071.0	86.2	15	3	1076.0	1391.0	1505.0
9	33093.0	62.1	15	1	1378.0	-	-
10	214686.0	59.7	15	1	1277.0	-	-
11	395907.0	63.6	15	1	1972.0	-	-
12	575465.0	89.5	15	3	1680.0	1298.0	1407.0
13	10688.0	99.8	15	3	1121.0	1978.0	1079.0
14	192153.0	51.5	15	1	1920.0	-	-
15	372444.0	86.7	15	3	1556.0	1082.0	1569.0

Type 5 Radar Waveform_7

Burst ID	Burst Offset (us)	Pulse Width (us)	Chirp Width (MHz)	Number of Pulses per Burst	PRI-1 (us)	PRI-2 (us)	PRI-3 (us)
0	634516.0	56.0	12	1	1913.0	-	-
1	841149.0	78.2	12	2	1176.0	1537.0	-
2	194236.0	55.3	12	1	1433.0	-	-
3	400245.0	92.2	12	3	1887.0	1752.0	1046.0
4	607392.0	93.0	12	3	1458.0	1014.0	1653.0
5	812946.0	84.6	12	3	1992.0	1743.0	1783.0
6	168255.0	67.8	12	2	1893.0	1654.0	-
7	374954.0	92.3	12	3	1063.0	1351.0	1872.0
8	582031.0	93.3	12	3	1257.0	1287.0	1402.0
9	791523.0	50.2	12	1	1172.0	-	-
10	142607.0	85.7	12	3	1365.0	1138.0	1923.0
11	349725.0	82.5	12	2	1829.0	1848.0	-
12	556184.0	93.6	12	3	1429.0	1821.0	1245.0
13	763748.0	69.8	12	2	1635.0	1999.0	-

Type 5 Radar Waveform_8

Burst ID	Burst Offset (us)	Pulse Width (us)	Chirp Width (MHz)	Number of Pulses per Burst	PRI-1 (us)	PRI-2 (us)	PRI-3 (us)
0	164351.0	73.9	8	2	1645.0	1894.0	-
1	454495.0	77.9	8	2	1712.0	1922.0	-
2	745744.0	53.5	8	1	1879.0	-	-
3	1034743.0	72.0	8	2	1939.0	1770.0	-
4	128624.0	70.3	8	2	1469.0	1915.0	-
5	418876.0	78.7	8	2	1983.0	1301.0	-
6	709673.0	82.8	8	2	1299.0	1048.0	-
7	997815.0	89.2	8	3	1511.0	1873.0	1749.0
8	92740.0	88.0	8	3	1831.0	1472.0	1840.0
9	383051.0	80.5	8	2	1834.0	1683.0	-

Type 5 Radar Waveform_9

Burst ID	Burst Offset (us)	Pulse Width (us)	Chirp Width (MHz)	Number of Pulses per Burst	PRI-1 (us)	PRI-2 (us)	PRI-3 (us)
0	749396.0	51.8	6	1	1498.0	-	-
1	1070448.0	84.5	6	3	1401.0	1212.0	1319.0
2	63440.0	86.2	6	3	1708.0	1175.0	1618.0
3	386573.0	50.6	6	1	1577.0	-	-
4	708236.0	85.8	6	3	1760.0	1017.0	1295.0
5	1029704.0	87.3	6	3	1623.0	1935.0	1701.0
6	23747.0	84.0	6	3	1520.0	1263.0	1450.0
7	346227.0	82.4	6	2	1746.0	1984.0	-
8	668289.0	85.2	6	3	1691.0	1078.0	1774.0

Type 5 Radar Waveform_10

Burst ID	Burst Offset (us)	Pulse Width (us)	Chirp Width (MHz)	Number of Pulses per Burst	PRI-1 (us)	PRI-2 (us)	PRI-3 (us)
0	494545.0	81.1	17	2	1950.0	1310.0	-
1	655852.0	83.1	17	2	1800.0	1045.0	-
2	152678.0	91.5	17	3	1552.0	1441.0	1369.0
3	313254.0	88.5	17	3	1116.0	1510.0	1849.0
4	476146.0	64.3	17	1	1275.0	-	-
5	634159.0	87.5	17	3	1379.0	1936.0	1473.0
6	132814.0	89.4	17	3	1747.0	1964.0	1040.0
7	293659.0	99.4	17	3	1248.0	1126.0	1677.0
8	454274.0	95.1	17	3	1112.0	1932.0	1139.0
9	614286.0	83.5	17	3	1567.0	1657.0	1671.0
10	113386.0	68.0	17	2	1494.0	1227.0	-
11	274343.0	74.2	17	2	1555.0	1337.0	-
12	435123.0	73.6	17	2	1703.0	1503.0	-
13	597265.0	55.2	17	1	1835.0	-	-
14	93768.0	66.3	17	1	1184.0	-	-
15	254126.0	88.3	17	3	1507.0	1291.0	1103.0
16	415579.0	81.9	17	2	1339.0	1426.0	-
17	577787.0	60.1	17	1	1394.0	-	-

Type 5 Radar Waveform_11							
Burst ID	Burst Offset (us)	Pulse Width (us)	Chirp Width (MHz)	Number of Pulses per Burst	PRI-1 (us)	PRI-2 (us)	PRI-3 (us)
0	147724.0	67.4	7	2	1582.0	1230.0	-
1	470229.0	79.5	7	2	1615.0	1729.0	-
2	793107.0	72.8	7	2	1038.0	1779.0	-
3	1116786.0	53.9	7	1	1641.0	-	-
4	107959.0	66.9	7	2	1634.0	1380.0	-
5	430029.0	90.2	7	3	1661.0	1733.0	1393.0
6	752714.0	74.9	7	2	1967.0	1989.0	-
7	1074763.0	90.4	7	3	1608.0	1341.0	1461.0
8	68309.0	58.5	7	1	1207.0	-	-
Type 5 Radar Waveform_12							
Burst ID	Burst Offset (us)	Pulse Width (us)	Chirp Width (MHz)	Number of Pulses per Burst	PRI-1 (us)	PRI-2 (us)	PRI-3 (us)
0	390476.0	98.5	7	3	1064.0	1874.0	1386.0
1	713455.0	67.1	7	2	1262.0	1846.0	-
2	1037161.0	56.4	7	1	1715.0	-	-
3	28513.0	55.9	7	1	1173.0	-	-
4	351626.0	66.3	7	1	1091.0	-	-
5	674747.0	53.2	7	1	1071.0	-	-
6	995155.0	97.3	7	3	1434.0	1796.0	1456.0
7	1320642.0	62.4	7	1	1410.0	-	-
8	310846.0	86.8	7	3	1405.0	1916.0	1958.0
Type 5 Radar Waveform_13							
Burst ID	Burst Offset (us)	Pulse Width (us)	Chirp Width (MHz)	Number of Pulses per Burst	PRI-1 (us)	PRI-2 (us)	PRI-3 (us)
0	356206.0	82.4	14	2	1576.0	1023.0	-
1	536695.0	89.4	14	3	1044.0	1542.0	1097.0
2	716273.0	89.3	14	3	1986.0	1338.0	1843.0
3	152238.0	84.6	14	3	1934.0	1215.0	1268.0
4	334017.0	80.9	14	2	1084.0	1203.0	-
5	514933.0	79.4	14	2	1372.0	1536.0	-
6	694605.0	87.7	14	3	1294.0	1575.0	1672.0
7	130514.0	55.7	14	1	1266.0	-	-
8	311313.0	69.9	14	2	1193.0	1973.0	-
9	493420.0	56.2	14	1	1686.0	-	-
10	673295.0	78.3	14	2	1717.0	1759.0	-
11	107952.0	79.2	14	2	1273.0	1332.0	-
12	289063.0	69.8	14	2	1146.0	1862.0	-
13	471100.0	62.4	14	1	1630.0	-	-
14	652339.0	53.9	14	1	1933.0	-	-
15	85556.0	77.2	14	2	1616.0	1586.0	-

Type 5 Radar Waveform_14

Burst ID	Burst Offset (us)	Pulse Width (us)	Chirp Width (MHz)	Number of Pulses per Burst	PRI-1 (us)	PRI-2 (us)	PRI-3 (us)
0	213591.0	66.6	20	1	1867.0	-	-
1	358746.0	52.9	20	1	1718.0	-	-
2	504108.0	62.4	20	1	1409.0	-	-
3	50594.0	77.2	20	2	1471.0	1123.0	-
4	195955.0	66.2	20	1	1154.0	-	-
5	340997.0	51.2	20	1	1500.0	-	-
6	485882.0	63.5	20	1	1832.0	-	-
7	32749.0	74.0	20	2	1442.0	1124.0	-
8	177681.0	79.0	20	2	1219.0	1226.0	-
9	321295.0	91.0	20	3	1929.0	1318.0	1629.0
10	467295.0	82.2	20	2	1404.0	1345.0	-
11	14854.0	88.6	20	3	1782.0	1565.0	1100.0
12	159567.0	77.5	20	2	1573.0	1852.0	-
13	305314.0	51.7	20	1	1350.0	-	-
14	449627.0	71.0	20	2	1055.0	1462.0	-
15	594140.0	76.3	20	2	1476.0	1438.0	-
16	141558.0	92.9	20	3	1166.0	1073.0	1974.0
17	286593.0	79.6	20	2	1761.0	1331.0	-
18	432610.0	55.8	20	1	1366.0	-	-
19	575820.0	92.5	20	3	1089.0	1258.0	1067.0

Type 5 Radar Waveform_15

Burst ID	Burst Offset (us)	Pulse Width (us)	Chirp Width (MHz)	Number of Pulses per Burst	PRI-1 (us)	PRI-2 (us)	PRI-3 (us)
0	177570.0	70.9	13	2	1305.0	1001.0	-
1	384239.0	82.9	13	2	1903.0	1859.0	-
2	590386.0	98.6	13	3	1387.0	1664.0	1901.0
3	797705.0	93.4	13	3	1844.0	1191.0	1238.0
4	152171.0	66.2	13	1	1525.0	-	-
5	359794.0	61.2	13	1	1267.0	-	-
6	565752.0	70.2	13	2	1971.0	1737.0	-
7	773206.0	68.6	13	2	1730.0	1460.0	-
8	126643.0	62.0	13	1	1303.0	-	-
9	333849.0	79.4	13	2	1137.0	1092.0	-
10	540642.0	78.6	13	2	1678.0	1421.0	-
11	748902.0	54.7	13	1	1811.0	-	-
12	101021.0	52.5	13	1	1765.0	-	-
13	308140.0	78.8	13	2	1324.0	1374.0	-

Type 5 Radar Waveform_16

Burst ID	Burst Offset (us)	Pulse Width (us)	Chirp Width (MHz)	Number of Pulses per Burst	PRI-1 (us)	PRI-2 (us)	PRI-3 (us)
0	554213.0	99.8	11	3	1357.0	1020.0	1856.0
1	779751.0	50.2	11	1	1053.0	-	-
2	81058.0	84.8	11	3	1468.0	1289.0	1570.0
3	303735.0	85.2	11	3	1443.0	1734.0	1600.0
4	527222.0	70.6	11	2	1722.0	1711.0	-
5	750765.0	81.1	11	2	1787.0	1033.0	-
6	53664.0	75.9	11	2	1753.0	1669.0	-
7	277254.0	65.2	11	1	1609.0	-	-
8	500533.0	55.6	11	1	1988.0	-	-
9	721592.0	90.0	11	3	1072.0	1955.0	1931.0
10	26176.0	97.3	11	3	1009.0	1453.0	1448.0
11	248743.0	99.2	11	3	1726.0	1665.0	1845.0
12	472437.0	78.3	11	2	1572.0	1544.0	-

Type 5 Radar Waveform_17

Burst ID	Burst Offset (us)	Pulse Width (us)	Chirp Width (MHz)	Number of Pulses per Burst	PRI-1 (us)	PRI-2 (us)	PRI-3 (us)
0	502379.0	68.2	18	2	1178.0	1030.0	-
1	662375.0	85.3	18	3	1094.0	1087.0	1185.0
2	160489.0	51.9	18	1	1110.0	-	-
3	320217.0	86.3	18	3	1803.0	1736.0	1066.0
4	480738.0	90.3	18	3	1889.0	1676.0	1109.0
5	644350.0	56.5	18	1	1517.0	-	-
6	140475.0	61.4	18	1	1728.0	-	-
7	302062.0	56.3	18	1	1027.0	-	-
8	461188.0	83.7	18	3	1254.0	1946.0	1149.0
9	624638.0	54.4	18	1	1348.0	-	-
10	120382.0	69.1	18	2	1451.0	1538.0	-
11	282180.0	61.0	18	1	1019.0	-	-
12	443306.0	54.9	18	1	1491.0	-	-
13	603628.0	81.0	18	2	1519.0	1077.0	-
14	100329.0	95.0	18	3	1596.0	1769.0	1117.0
15	261995.0	61.9	18	1	1778.0	-	-
16	421513.0	99.6	18	3	1716.0	1280.0	1513.0
17	584727.0	62.3	18	1	1529.0	-	-

Type 5 Radar Waveform_18

Burst ID	Burst Offset (us)	Pulse Width (us)	Chirp Width (MHz)	Number of Pulses per Burst	PRI-1 (us)	PRI-2 (us)	PRI-3 (us)
0	96973.0	77.5	13	2	1354.0	1417.0	-
1	289978.0	86.1	13	3	1036.0	1605.0	1088.0
2	482969.0	98.7	13	3	1024.0	1908.0	1010.0
3	678423.0	52.0	13	1	1133.0	-	-
4	73166.0	70.7	13	2	1617.0	1051.0	-
5	265860.0	91.6	13	3	1282.0	1558.0	1875.0
6	460788.0	57.7	13	1	1168.0	-	-
7	653913.0	59.0	13	1	1921.0	-	-
8	49352.0	74.7	13	2	1145.0	1424.0	-
9	242955.0	66.6	13	1	1909.0	-	-
10	436575.0	55.6	13	1	1804.0	-	-
11	629016.0	77.3	13	2	1707.0	1550.0	-
12	25552.0	58.5	13	1	1857.0	-	-
13	218684.0	96.2	13	3	1041.0	1085.0	1347.0
14	412072.0	67.0	13	2	1383.0	1693.0	-

Type 5 Radar Waveform_19

Burst ID	Burst Offset (us)	Pulse Width (us)	Chirp Width (MHz)	Number of Pulses per Burst	PRI-1 (us)	PRI-2 (us)	PRI-3 (us)
0	649298.0	83.0	13	2	1093.0	1270.0	-
1	1831.0	52.0	13	1	1633.0	-	-
2	208637.0	83.4	13	3	1647.0	1297.0	1478.0
3	416957.0	60.1	13	1	1325.0	-	-
4	622145.0	93.1	13	3	1181.0	1924.0	1475.0
5	828814.0	88.4	13	3	1454.0	1243.0	1990.0
6	183197.0	98.2	13	3	1744.0	1364.0	1150.0
7	389576.0	91.2	13	3	1937.0	1428.0	1927.0
8	597649.0	72.4	13	2	1599.0	1589.0	-
9	806369.0	66.0	13	1	1481.0	-	-
10	157806.0	95.8	13	3	1135.0	1229.0	1418.0
11	365940.0	65.7	13	1	1052.0	-	-
12	572035.0	74.1	13	2	1416.0	1926.0	-
13	780542.0	65.6	13	1	1771.0	-	-

Type 5 Radar Waveform_20

Burst ID	Burst Offset (us)	Pulse Width (us)	Chirp Width (MHz)	Number of Pulses per Burst	PRI-1 (us)	PRI-2 (us)	PRI-3 (us)
0	185807.0	50.1	8	1	1620.0	-	-
1	475837.0	80.9	8	2	1585.0	1581.0	-
2	767360.0	53.2	8	1	1210.0	-	-
3	1057735.0	56.0	8	1	1627.0	-	-
4	149827.0	77.7	8	2	1773.0	1283.0	-
5	439866.0	69.7	8	2	1784.0	1970.0	-
6	731278.0	63.1	8	1	1650.0	-	-
7	1021184.0	79.6	8	2	1179.0	1328.0	-
8	114178.0	66.1	8	1	1905.0	-	-
9	404973.0	64.5	8	1	1259.0	-	-

Type 5 Radar Waveform_21

Burst ID	Burst Offset (us)	Pulse Width (us)	Chirp Width (MHz)	Number of Pulses per Burst	PRI-1 (us)	PRI-2 (us)	PRI-3 (us)
0	365874.0	60.4	19	1	1156.0	-	-
1	517281.0	78.6	19	2	1415.0	1553.0	-
2	41120.0	81.2	19	2	1640.0	1437.0	-
3	193567.0	81.9	19	2	1543.0	1486.0	-
4	345387.0	94.8	19	3	1406.0	1362.0	1392.0
5	499482.0	50.6	19	1	1731.0	-	-
6	22402.0	56.4	19	1	1446.0	-	-
7	174520.0	96.9	19	3	1188.0	1772.0	1037.0
8	327477.0	73.0	19	2	1322.0	1237.0	-
9	478406.0	94.0	19	3	1349.0	1651.0	1692.0
10	3571.0	72.0	19	2	1396.0	1192.0	-
11	155777.0	79.0	19	2	1979.0	1997.0	-
12	309344.0	61.5	19	1	1217.0	-	-
13	461726.0	51.8	19	1	1899.0	-	-
14	614704.0	56.5	19	1	1632.0	-	-
15	137238.0	73.9	19	2	1115.0	1898.0	-
16	289401.0	79.4	19	2	1790.0	1839.0	-
17	440569.0	94.9	19	3	1477.0	1968.0	1789.0
18	593954.0	76.3	19	2	1918.0	1755.0	-

Type 5 Radar Waveform_22

Burst ID	Burst Offset (us)	Pulse Width (us)	Chirp Width (MHz)	Number of Pulses per Burst	PRI-1 (us)	PRI-2 (us)	PRI-3 (us)
0	250280.0	86.1	6	3	1509.0	1998.0	1795.0
1	573625.0	74.9	6	2	1165.0	1225.0	-
2	895843.0	75.8	6	2	1822.0	1425.0	-
3	1217524.0	83.6	6	3	1561.0	1120.0	1557.0
4	210628.0	93.5	6	3	1949.0	1333.0	1882.0
5	533511.0	74.6	6	2	1914.0	1356.0	-
6	855203.0	85.7	6	3	1969.0	1083.0	1601.0
7	1179934.0	52.4	6	1	1850.0	-	-
8	171232.0	71.2	6	2	1465.0	1506.0	-

Type 5 Radar Waveform_23

Burst ID	Burst Offset (us)	Pulse Width (us)	Chirp Width (MHz)	Number of Pulses per Burst	PRI-1 (us)	PRI-2 (us)	PRI-3 (us)
0	277284.0	80.9	15	2	1756.0	1336.0	-
1	458294.0	76.4	15	2	1675.0	1643.0	-
2	641214.0	53.9	15	1	1186.0	-	-
3	73973.0	53.4	15	1	1566.0	-	-
4	254367.0	85.9	15	3	1568.0	1330.0	1963.0
5	436323.0	68.8	15	2	1637.0	1106.0	-
6	615936.0	99.7	15	3	1842.0	1011.0	1851.0
7	51623.0	64.5	15	1	1430.0	-	-
8	233041.0	57.1	15	1	1861.0	-	-
9	414707.0	66.3	15	1	1466.0	-	-
10	593417.0	96.4	15	3	1947.0	1788.0	1288.0
11	29207.0	71.7	15	2	1578.0	1211.0	-
12	210861.0	59.5	15	1	1256.0	-	-
13	390814.0	100.0	15	3	1056.0	1786.0	1545.0
14	571538.0	92.8	15	3	1286.0	1930.0	1315.0
15	6875.0	80.1	15	2	1869.0	1977.0	-

Type 5 Radar Waveform_24

Burst ID	Burst Offset (us)	Pulse Width (us)	Chirp Width (MHz)	Number of Pulses per Burst	PRI-1 (us)	PRI-2 (us)	PRI-3 (us)
0	214525.0	93.6	12	3	1408.0	1700.0	1884.0
1	422425.0	71.2	12	2	1235.0	1276.0	-
2	629448.0	69.4	12	2	1128.0	1725.0	-
3	838375.0	51.4	12	1	1081.0	-	-
4	188967.0	99.6	12	3	1938.0	1598.0	1910.0
5	397426.0	53.7	12	1	1363.0	-	-
6	603497.0	90.4	12	3	1189.0	1062.0	1209.0
7	811009.0	68.2	12	2	1847.0	1122.0	-
8	164339.0	53.2	12	1	1194.0	-	-
9	371104.0	80.1	12	2	1583.0	1522.0	-
10	577428.0	89.6	12	3	1096.0	1246.0	1954.0
11	784374.0	84.6	12	3	1684.0	1368.0	1131.0
12	138240.0	95.0	12	3	1659.0	1157.0	1639.0
13	345227.0	87.8	12	3	1685.0	1274.0	1043.0

Type 5 Radar Waveform_25

Burst ID	Burst Offset (us)	Pulse Width (us)	Chirp Width (MHz)	Number of Pulses per Burst	PRI-1 (us)	PRI-2 (us)	PRI-3 (us)
0	430531.0	57.2	18	1	1431.0	-	-
1	592034.0	59.0	18	1	1249.0	-	-
2	87579.0	98.3	18	3	1512.0	1111.0	1815.0
3	248345.0	85.3	18	3	1714.0	1198.0	1113.0
4	410466.0	65.0	18	1	1741.0	-	-
5	568581.0	96.6	18	3	1797.0	1996.0	1612.0
6	67873.0	90.1	18	3	1205.0	1252.0	1220.0
7	229031.0	68.6	18	2	1487.0	1141.0	-
8	388734.0	93.1	18	3	1502.0	1878.0	1541.0
9	549110.0	92.8	18	3	1646.0	1953.0	1464.0
10	48215.0	52.1	18	1	1626.0	-	-
11	208518.0	92.0	18	3	1890.0	1588.0	1293.0
12	370221.0	66.7	18	2	1114.0	1554.0	-
13	532298.0	63.1	18	1	1373.0	-	-
14	28219.0	98.6	18	3	1167.0	1590.0	1883.0
15	189639.0	54.5	18	1	1631.0	-	-
16	350069.0	76.5	18	2	1440.0	1826.0	-
17	511358.0	75.0	18	2	1470.0	1285.0	-

Type 5 Radar Waveform_26

Burst ID	Burst Offset (us)	Pulse Width (us)	Chirp Width (MHz)	Number of Pulses per Burst	PRI-1 (us)	PRI-2 (us)	PRI-3 (us)
0	8011.0	83.0	19	2	1317.0	1966.0	-
1	160975.0	53.5	19	1	1002.0	-	-
2	312035.0	99.9	19	3	1981.0	1388.0	1400.0
3	466650.0	53.4	19	1	1265.0	-	-
4	619298.0	66.3	19	1	1492.0	-	-
5	141991.0	50.9	19	1	1652.0	-	-
6	294156.0	71.7	19	2	1132.0	1828.0	-
7	446682.0	77.1	19	2	1833.0	1034.0	-
8	597610.0	86.0	19	3	1906.0	1535.0	1057.0
9	122619.0	85.8	19	3	1313.0	1367.0	1798.0
10	276020.0	50.1	19	1	1489.0	-	-
11	429130.0	55.8	19	1	1059.0	-	-
12	580039.0	79.2	19	2	1515.0	1723.0	-
13	104375.0	65.1	19	1	1521.0	-	-
14	256719.0	69.5	19	2	1080.0	1579.0	-
15	408954.0	69.4	19	2	1206.0	1911.0	-
16	562763.0	59.0	19	1	1564.0	-	-
17	85251.0	87.3	19	3	1054.0	1539.0	1148.0
18	237862.0	73.4	19	2	1781.0	1061.0	-

Type 5 Radar Waveform_27

Burst ID	Burst Offset (us)	Pulse Width (us)	Chirp Width (MHz)	Number of Pulses per Burst	PRI-1 (us)	PRI-2 (us)	PRI-3 (us)
0	371127.0	74.3	20	2	1049.0	1177.0	-
1	514616.0	85.0	20	3	1025.0	1488.0	1439.0
2	63010.0	96.2	20	3	1817.0	1340.0	1904.0
3	207476.0	90.1	20	3	1272.0	1919.0	1371.0
4	352755.0	75.0	20	2	1108.0	1987.0	-
5	497999.0	78.1	20	2	1105.0	1419.0	-
6	45442.0	76.6	20	2	1140.0	1231.0	-
7	190001.0	99.3	20	3	1134.0	1346.0	1098.0
8	335645.0	57.5	20	1	1808.0	-	-
9	478408.0	87.0	20	3	1432.0	1422.0	1838.0
10	27574.0	77.3	20	2	1549.0	1125.0	-
11	172458.0	69.7	20	2	1480.0	1147.0	-
12	316069.0	98.8	20	3	1721.0	1518.0	1780.0
13	463048.0	53.5	20	1	1559.0	-	-
14	9741.0	64.6	20	1	1941.0	-	-
15	154861.0	51.5	20	1	1663.0	-	-
16	298071.0	91.5	20	3	1738.0	1917.0	1809.0
17	443619.0	87.9	20	3	1187.0	1164.0	1292.0
18	590433.0	53.8	20	1	1435.0	-	-
19	136340.0	92.8	20	3	1376.0	1130.0	1980.0

Type 5 Radar Waveform_28

Burst ID	Burst Offset (us)	Pulse Width (us)	Chirp Width (MHz)	Number of Pulses per Burst	PRI-1 (us)	PRI-2 (us)	PRI-3 (us)
0	626573.0	97.4	7	3	1159.0	1860.0	1355.0
1	950872.0	63.5	7	1	1594.0	-	-
2	1270301.0	87.9	7	3	1706.0	1886.0	1724.0
3	265097.0	60.5	7	1	1656.0	-	-
4	588179.0	54.2	7	1	1411.0	-	-
5	910051.0	68.5	7	2	1358.0	1750.0	-
6	1231333.0	87.2	7	3	1985.0	1548.0	1021.0
7	225281.0	63.5	7	1	1854.0	-	-
8	547325.0	87.1	7	3	1107.0	1221.0	1666.0

Type 5 Radar Waveform_29

Burst ID	Burst Offset (us)	Pulse Width (us)	Chirp Width (MHz)	Number of Pulses per Burst	PRI-1 (us)	PRI-2 (us)	PRI-3 (us)
0	602142.0	72.4	12	2	1580.0	1155.0	-
1	823513.0	97.4	12	3	1961.0	1222.0	1604.0
2	128381.0	54.0	12	1	1606.0	-	-
3	351719.0	61.2	12	1	1993.0	-	-
4	574053.0	81.1	12	2	1818.0	1868.0	-
5	798658.0	52.2	12	1	1814.0	-	-
6	100465.0	90.1	12	3	1713.0	1807.0	1628.0
7	323195.0	86.9	12	3	1514.0	1531.0	1810.0
8	548068.0	63.4	12	1	1195.0	-	-
9	770128.0	74.9	12	2	1261.0	1757.0	-
10	73257.0	75.3	12	2	1004.0	1445.0	-
11	295763.0	89.7	12	3	1681.0	1870.0	1306.0
12	520285.0	51.7	12	1	1624.0	-	-

Type 5 Radar Waveform_30

Burst ID	Burst Offset (us)	Pulse Width (us)	Chirp Width (MHz)	Number of Pulses per Burst	PRI-1 (us)	PRI-2 (us)	PRI-3 (us)
0	604066.0	64.2	16	1	1622.0	-	-
1	37016.0	90.1	16	3	1732.0	1704.0	1754.0
2	218769.0	58.7	16	1	1382.0	-	-
3	400098.0	66.1	16	1	1820.0	-	-
4	581948.0	51.4	16	1	1314.0	-	-
5	14835.0	52.2	16	1	1674.0	-	-
6	196423.0	64.6	16	1	1312.0	-	-
7	378158.0	63.5	16	1	1005.0	-	-
8	558741.0	78.1	16	2	1161.0	1278.0	-
9	739004.0	81.5	16	2	1767.0	1727.0	-
10	174029.0	55.1	16	1	1427.0	-	-
11	353842.0	94.6	16	3	1649.0	1745.0	1696.0
12	536149.0	76.1	16	2	1015.0	1785.0	-
13	718824.0	60.7	16	1	1284.0	-	-
14	150978.0	97.1	16	3	1690.0	1247.0	1885.0
15	332044.0	85.6	16	3	1959.0	1058.0	1050.0

Radar Type 6 - Radar Statistical Performance

Trail #	1=Detection 0=No Detection	Trail #	1=Detection 0=No Detection
1	1	16	1
2	1	17	1
3	0	18	1
4	1	19	1
5	0	20	1
6	1	21	0
7	1	22	1
8	1	23	1
9	1	24	1
10	1	25	1
11	1	26	1
12	1	27	1
13	1	28	1
14	1	29	1
15	1	30	1
Detection Percentage (%)			90%

Type 6 Radar Waveform_1									
	Download	Trial Id	Radar Type	Pulse Width (us)	PRI (us)	Pulses per Hop	Hopping Rate (kHz)	Hopping Sequence Length (ms)	Visible Frequency Number
		0	Type 6	1.0	333.3	9	0.3333	300.0000000	3
			Frequency List (MHz)	0	1	2	3	4	
			0	5692	5622	5370	5563	5281	
			5	5334	5377	5537	5673	5311	
			10	5289	5302	5607	5638	5421	
			15	5613	5459	5693	5285	5300	
			20	5264	5394	5401	5466	5357	
			25	5551	5484	5398	5316	5618	
			30	5553	5539	5604	5546	5395	
			35	5435	5368	5303	5699	5485	
			40	5350	5722	5636	5591	5628	
			45	5447	5491	5478	5623	5642	
			50	5705	5473	5516	5702	5690	
			55	5270	5333	5536	5260	5644	
			60	5714	5335	5704	5356	5548	
			65	5571	5671	5707	5423	5504	
			70	5522	5397	5587	5600	5616	
			75	5648	5487	5676	5701	5660	
			80	5342	5656	5381	5280	5515	
			85	5567	5445	5317	5413	5572	
			90	5431	5261	5647	5506	5681	
			95	5619	5624	5645	5629	5263	

Type 6 Radar Waveform_2

Download	1	Type 6	1. 0	333. 3	9	0. 3333	300. 0000000	2
		Frequency List (MHz)	0	1	2	3	4	
		0	5472	5386	5306	5724	5501	
		5	5376	5399	5612	5361	5518	
		10	5695	5663	5648	5261	5442	
		15	5701	5489	5321	5326	5409	
		20	5671	5466	5680	5711	5367	
		25	5667	5318	5560	5655	5440	
		30	5356	5273	5358	5705	5262	
		35	5646	5637	5666	5588	5379	
		40	5714	5307	5423	5590	5341	
		45	5468	5474	5686	5300	5712	
		50	5654	5674	5256	5431	5417	
		55	5704	5656	5405	5564	5682	
		60	5665	5425	5640	5540	5281	
		65	5430	5305	5380	5463	5377	
		70	5304	5506	5604	5371	5373	
		75	5449	5569	5316	5453	5441	
		80	5699	5556	5576	5280	5357	
		85	5530	5282	5345	5251	5426	
		90	5653	5443	5631	5448	5679	
		95	5527	5620	5572	5649	5296	

Type 6 Radar Waveform_3

Download	2	Type 6	1. 0	333. 3	9	0. 3333	300. 0000000	2
		Frequency List (MHz)	0	1	2	3	4	
		0	5252	5625	5717	5410	5343	
		5	5418	5324	5687	5524	5250	
		10	5626	5452	5689	5456	5463	
		15	5314	5616	5424	5274	5698	
		20	5679	5535	5621	5703	5340	
		25	5555	5645	5288	5381	5552	
		30	5482	5720	5705	5573	5479	
		35	5557	5310	5253	5559	5363	
		40	5293	5553	5390	5361	5355	
		45	5338	5397	5454	5254	5269	
		50	5353	5599	5718	5442	5264	
		55	5417	5610	5498	5383	5653	
		60	5319	5590	5631	5472	5613	
		65	5258	5655	5473	5492	5607	
		70	5695	5408	5538	5284	5362	
		75	5449	5349	5697	5384	5296	
		80	5658	5257	5593	5591	5281	
		85	5477	5348	5265	5465	5259	
		90	5710	5425	5675	5372	5391	
		95	5415	5307	5541	5595	5532	

Type 6 Radar Waveform_4

Download	3	Type 6	1. 0	333. 3	9	0. 3333	300. 0000000	3
		Frequency List (MHz)	0	1	2	3	4	
		0	5410	5389	5653	5571	5563	
		5	5557	5346	5287	5687	5554	
		10	5460	5716	5255	5651	5484	
		15	5305	5268	5430	5319	5415	
		20	5701	5659	5317	5313	5594	
		25	5491	5485	5586	5621	5706	
		30	5662	5631	5280	5449	5441	
		35	5355	5516	5682	5392	5473	
		40	5299	5498	5335	5704	5434	
		45	5337	5705	5406	5531	5301	
		50	5552	5683	5605	5564	5688	
		55	5580	5624	5448	5576	5401	
		60	5289	5270	5454	5678	5649	
		65	5422	5625	5458	5545	5478	
		70	5707	5544	5703	5367	5404	
		75	5505	5482	5459	5262	5447	
		80	5550	5658	5613	5553	5352	
		85	5590	5372	5366	5269	5281	
		90	5511	5374	5314	5694	5323	
		95	5481	5303	5667	5486	5627	

Type 6 Radar Waveform_5

Download	4	Type 6	1.0	333.3	9	0.3333	300.000000	2
		Frequency List (MHz)	0	1	2	3	4	
		0	5665	5628	5589	5257	5405	
		5	5599	5271	5362	5278	5286	
		10	5391	5505	5296	5371	5393	
		15	5395	5533	5364	5607	5598	
		20	5392	5600	5309	5709	5446	
		25	5694	5620	5663	5595	5619	
		30	5431	5575	5491	5532	5626	
		35	5669	5693	5706	5653	5712	
		40	5263	5332	5633	5414	5420	
		45	5288	5459	5276	5373	5707	
		50	5352	5375	5530	5696	5518	
		55	5403	5399	5480	5445	5521	
		60	5708	5687	5691	5655	5627	
		65	5685	5632	5261	5714	5464	
		70	5710	5679	5326	5379	5524	
		75	5648	5411	5259	5472	5426	
		80	5510	5547	5686	5561	5455	
		85	5613	5544	5458	5423	5517	
		90	5467	5293	5448	5490	5386	
		95	5596	5369	5300	5460	5406	

Type 6 Radar Waveform_6

Download	5	Type 6	1.0	333.3	9	0.3333	300.000000	5
		Frequency List (MHz)	0	1	2	3	4	
		0	5445	5392	5525	5418	5625	
		5	5641	5293	5437	5441	5493	
		10	5322	5294	5434	5566	5526	
		15	5481	5522	5636	5409	5324	
		20	5606	5461	5541	5398	5259	
		25	5500	5395	5325	5693	5654	
		30	5705	5484	5576	5646	5557	
		35	5630	5623	5519	5444	5607	
		40	5545	5261	5553	5503	5329	
		45	5562	5394	5346	5512	5724	
		50	5408	5403	5709	5474	5375	
		55	5593	5469	5609	5610	5563	
		60	5540	5513	5478	5624	5464	
		65	5690	5539	5311	5547	5335	
		70	5620	5655	5285	5251	5644	
		75	5694	5414	5582	5515	5590	
		80	5670	5544	5326	5377	5290	
		85	5287	5611	5299	5482	5372	
		90	5495	5613	5424	5284	5691	
		95	5439	5509	5588	5579	5592	

Type 6 Radar Waveform_7

Download	6	Type 6	1.0	333.3	9	0.3333	300.000000	2
		Frequency List (MHz)	0	1	2	3	4	
		0	5700	5631	5461	5482	5467	
		5	5683	5693	5512	5604	5322	
		10	5655	5475	5664	5547	5569	
		15	5552	5264	5357	5516	5614	
		20	5627	5579	5390	5707	5388	
		25	5722	5528	5591	5272	5470	
		30	5533	5386	5331	5593	5294	
		35	5714	5315	5597	5521	5481	
		40	5344	5491	5268	5423	5394	
		45	5374	5586	5307	5468	5428	
		50	5600	5584	5454	5420	5399	
		55	5418	5329	5308	5415	5440	
		60	5263	5300	5508	5372	5339	
		65	5680	5679	5525	5660	5674	
		70	5582	5720	5383	5338	5469	
		75	5719	5695	5667	5362	5666	
		80	5595	5296	5657	5258	5541	
		85	5698	5464	5711	5636	5356	
		90	5291	5538	5485	5301	5305	
		95	5419	5632	5630	5479	5589	

Type 6 Radar Waveform_8

Download	7	Type 6	1. 0	333. 3	9	0. 3333	300. 0000000	5
		Frequency List (MHz)	0	1	2	3	4	
		0	5480	5395	5397	5643	5687	
		5	5347	5715	5587	5292	5529	
		10	5562	5444	5516	5384	5568	
		15	5560	5679	5367	5402	5708	
		20	5525	5696	5520	5479	5680	
		25	5276	5574	5256	5523	5625	
		30	5411	5359	5490	5601	5483	
		35	5413	5433	5330	5586	5275	
		40	5532	5320	5524	5429	5420	
		45	5323	5257	5669	5365	5521	
		50	5693	5379	5285	5505	5509	
		55	5697	5265	5310	5283	5498	
		60	5709	5392	5465	5453	5262	
		65	5626	5502	5474	5599	5506	
		70	5377	5552	5519	5341	5318	
		75	5510	5678	5567	5312	5408	
		80	5451	5443	5705	5346	5321	
		85	5441	5418	5553	5548	5634	
		90	5382	5311	5305	5466	5514	
		95	5616	5647	5534	5349	5487	

Type 6 Radar Waveform_9

Download	8	Type 6	1. 0	333. 3	9	0. 3333	300. 0000000	5
		Frequency List (MHz)	0	1	2	3	4	
		0	5638	5634	5333	5329	5529	
		5	5389	5640	5662	5455	5261	
		10	5396	5708	5557	5579	5589	
		15	5648	5331	5373	5447	5425	
		20	5533	5387	5461	5471	5653	
		25	5542	5523	5459	5627	5659	
		30	5453	5723	5719	5257	5611	
		35	5475	5518	5382	5525	5446	
		40	5607	5367	5651	5417	5630	
		45	5712	5277	5423	5574	5580	
		50	5255	5556	5598	5520	5684	
		55	5498	5688	5528	5521	5495	
		60	5608	5563	5572	5703	5635	
		65	5716	5269	5326	5624	5505	
		70	5441	5545	5486	5637	5536	
		75	5432	5551	5695	5340	5510	
		80	5384	5438	5613	5270	5492	
		85	5643	5599	5433	5559	5503	
		90	5631	5414	5390	5250	5286	
		95	5385	5657	5343	5262	5325	

Type 6 Radar Waveform_10

Download	9	Type 6	1. 0	333. 3	9	0. 3333	300. 0000000	5
		Frequency List (MHz)	0	1	2	3	4	
		0	5418	5495	5269	5490	5274	
		5	5431	5662	5262	5521	5565	
		10	5327	5497	5598	5299	5610	
		15	5261	5458	5476	5492	5617	
		20	5541	5456	5499	5560	5626	
		25	5430	5375	5256	5693	5709	
		30	5404	5459	5409	5614	5609	
		35	5275	5678	5360	5473	5690	
		40	5305	5416	5414	5559	5692	
		45	5384	5627	5370	5606	5540	
		50	5607	5687	5721	5531	5686	
		55	5666	5306	5347	5553	5320	
		60	5440	5389	5615	5526	5372	
		65	5671	5548	5539	5604	5318	
		70	5588	5444	5394	5462	5596	
		75	5505	5552	5597	5413	5472	
		80	5353	5589	5674	5544	5435	
		85	5270	5334	5622	5467	5387	
		90	5332	5323	5321	5420	5424	
		95	5656	5303	5644	5317	5283	

Type 6 Radar Waveform_11

Download	10	Type 6	1. 0	333. 3	9	0. 3333	300. 0000000	2
		Frequency List (MHz)	0	1	2	3	4	
		0	5673	5259	5680	5651	5591	
		5	5473	5587	5337	5684	5297	
		10	5258	5286	5639	5494	5631	
		15	5349	5585	5579	5440	5431	
		20	5452	5622	5552	5599	5696	
		25	5324	5293	5360	5252	5634	
		30	5598	5361	5674	5658	5629	
		35	5278	5700	5546	5356	5371	
		40	5409	5298	5718	5656	5411	
		45	5488	5672	5443	5442	5257	
		50	5482	5716	5398	5544	5475	
		55	5302	5620	5496	5702	5682	
		60	5485	5385	5272	5312	5561	
		65	5321	5610	5283	5334	5407	
		70	5390	5574	5438	5555	5377	
		75	5265	5394	5724	5463	5370	
		80	5266	5607	5432	5625	5648	
		85	5580	5521	5486	5426	5538	
		90	5320	5699	5518	5549	5347	
		95	5686	5315	5466	5694	5309	

Type 6 Radar Waveform_12

Download	11	Type 6	1. 0	333. 3	9	0. 3333	300. 0000000	7
		Frequency List (MHz)	0	1	2	3	4	
		0	5453	5498	5616	5337	5336	
		5	5612	5609	5412	5372	5504	
		10	5567	5550	5680	5592	5652	
		15	5340	5615	5682	5485	5623	
		20	5460	5691	5381	5641	5572	
		25	5584	5651	5496	5561	5286	
		30	5676	5318	5414	5335	5449	
		35	5320	5316	5342	5606	5285	
		40	5723	5478	5656	5324	5505	
		45	5526	5500	5258	5522	5261	
		50	5417	5709	5487	5367	5322	
		55	5490	5574	5686	5363	5673	
		60	5650	5330	5579	5613	5507	
		65	5270	5646	5590	5701	5588	
		70	5559	5560	5547	5514	5346	
		75	5695	5408	5375	5404	5573	
		80	5626	5430	5670	5429	5345	
		85	5551	5645	5647	5300	5392	
		90	5256	5719	5529	5395	5323	
		95	5480	5279	5382	5497	5545	

Type 6 Radar Waveform_13

Download	12	Type 6	1. 0	333. 3	9	0. 3333	300. 0000000	7
		Frequency List (MHz)	0	1	2	3	4	
		0	5611	5262	5552	5498	5653	
		5	5654	5534	5487	5535	5711	
		10	5436	5721	5312	5673	5428	
		15	5267	5310	5530	5340	5468	
		20	5382	5419	5633	5545	5375	
		25	5503	5699	5665	5320	5718	
		30	5473	5275	5532	5584	5289	
		35	5459	5407	5710	5284	5674	
		40	5562	5561	5497	5564	5502	
		45	5724	5632	5609	5461	5689	
		50	5409	5612	5593	5285	5576	
		55	5266	5678	5528	5401	5657	
		60	5644	5465	5372	5411	5536	
		65	5550	5276	5694	5585	5325	
		70	5496	5391	5631	5546	5647	
		75	5416	5390	5693	5454	5356	
		80	5656	5586	5594	5258	5329	
		85	5540	5551	5432	5608	5364	
		90	5265	5443	5504	5539	5341	
		95	5429	5680	5492	5354	5334	

Type 6 Radar Waveform_14								
Download	13	Type 6	1.0	333.3	9	0.3333	300.0000000	7
		Frequency List (MHz)	0	1	2	3	4	
		0	5391	5501	5488	5562	5398	
		5	5696	5556	5601	5540	5429	
		10	5700	5384	5507	5694	5516	
		15	5394	5316	5478	5532	5379	
		20	5451	5360	5722	5518	5263	
		25	5452	5427	5294	5354	5382	
		30	5362	5707	5272	5261	5467	
		35	5598	5498	5506	5437	5588	
		40	5401	5644	5435	5329	5499	
		45	5612	5692	5519	5267	5674	
		50	5336	5665	5482	5591	5594	
		55	5505	5317	5340	5496	5477	
		60	5643	5621	5632	5388	5669	
		65	5325	5629	5650	5269	5432	
		70	5662	5460	5597	5337	5433	
		75	5663	5283	5418	5326	5260	
		80	5454	5371	5668	5608	5397	
		85	5277	5262	5541	5366	5468	
		90	5389	5447	5358	5383	5563	
		95	5670	5372	5300	5276	5266	

Type 6 Radar Waveform_15								
Download	14	Type 6	1.0	333.3	9	0.3333	300.0000000	4
		Frequency List (MHz)	0	1	2	3	4	
		0	5646	5265	5424	5723	5715	
		5	5263	5481	5637	5289	5272	
		10	5489	5425	5702	5604	5521	
		15	5419	5523	5724	5387	5617	
		20	5301	5714	5491	5626	5304	
		25	5630	5398	5388	5348	5664	
		30	5487	5510	5287	5262	5686	
		35	5302	5687	5599	5349	5373	
		40	5472	5496	5485	5495	5300	
		45	5577	5320	5561	5364	5470	
		50	5279	5689	5532	5579	5436	
		55	5306	5673	5670	5647	5663	
		60	5442	5657	5367	5658	5397	
		65	5615	5653	5492	5720	5391	
		70	5534	5580	5643	5318	5685	
		75	5331	5444	5350	5323	5552	
		80	5357	5688	5631	5651	5573	
		85	5351	5525	5557	5671	5547	
		90	5400	5347	5710	5431	5345	
		95	5486	5286	5290	5584	5295	

Type 6 Radar Waveform_16								
Download	15	Type 6	1.0	333.3	9	0.3333	300.0000000	8
		Frequency List (MHz)	0	1	2	3	4	
		0	5426	5504	5360	5409	5460	
		5	5402	5503	5712	5452	5479	
		10	5669	5278	5466	5422	5261	
		15	5595	5648	5522	5568	5441	
		20	5395	5308	5339	5328	5464	
		25	5417	5253	5599	5621	5702	
		30	5284	5485	5304	5302	5573	
		35	5365	5513	5651	5432	5311	
		40	5493	5414	5475	5383	5538	
		45	5373	5351	5618	5646	5438	
		50	5465	5512	5379	5292	5390	
		55	5496	5492	5280	5682	5586	
		60	5388	5501	5638	5596	5674	
		65	5453	5275	5566	5601	5341	
		70	5696	5350	5603	5396	5462	
		75	5344	5700	5514	5544	5320	
		80	5272	5357	5530	5691	5368	
		85	5298	5361	5553	5337	5704	
		90	5722	5502	5499	5415	5718	
		95	5694	5589	5484	5385	5321	

Type 6 Radar Waveform_17

Download	16	Type 6	1.0	333.3	9	0.3333	300.0000000	5
		Frequency List (MHz)	0	1	2	3	4	
		0	5681	5268	5296	5570	5302	
		5	5444	5428	5312	5615	5308	
		10	5503	5542	5507	5520	5282	
		15	5683	5678	5625	5613	5633	
		20	5306	5377	5280	5320	5437	
		25	5305	5580	5464	5703	5456	
		30	5605	5601	5578	5345	5436	
		35	5443	5393	5466	5518	5427	
		40	5490	5515	5724	5477	5587	
		45	5721	5455	5596	5426	5713	
		50	5494	5347	5489	5554	5335	
		55	5323	5480	5344	5686	5311	
		60	5431	5409	5525	5412	5324	
		65	5632	5506	5638	5684	5281	
		70	5665	5672	5309	5375	5723	
		75	5357	5617	5454	5481	5704	
		80	5317	5467	5260	5469	5654	
		85	5463	5406	5356	5546	5575	
		90	5526	5656	5371	5519	5496	
		95	5616	5673	5692	5304	5383	

Type 6 Radar Waveform_18

Download	17	Type 6	1.0	333.3	9	0.3333	300.0000000	4
		Frequency List (MHz)	0	1	2	3	4	
		0	5364	5507	5707	5256	5522	
		5	5486	5450	5387	5681	5515	
		10	5434	5428	5548	5715	5303	
		15	5296	5330	5253	5561	5350	
		20	5314	5543	5696	5409	5410	
		25	5571	5432	5667	5332	5490	
		30	5647	5587	5535	5560	5685	
		35	5503	5582	5484	5262	5293	
		40	5438	5329	5598	5662	5717	
		45	5584	5650	5435	5549	5654	
		50	5479	5370	5523	5540	5643	
		55	5536	5645	5676	5304	5508	
		60	5305	5538	5690	5669	5713	
		65	5377	5525	5668	5716	5615	
		70	5259	5710	5670	5381	5417	
		75	5648	5268	5344	5368	5500	
		80	5358	5394	5467	5367	5292	
		85	5692	5638	5311	5714	5655	
		90	5274	5407	5319	5298	5691	
		95	5308	5371	5465	5633	5609	

Type 6 Radar Waveform_19

Download	18	Trial Id	Radar Type	Pulse Width (us)	PRI (us)	Pulses per Hop	Hopping Rate (kHz)	Hopping Sequence Length (us)	Visible Frequency Number
		Type 6	1.0	333.3	9	0.3333	300.0000000	3	
		Frequency List (MHz)	0	1	2	3	4		
		0	5619	5271	5643	5417	5364		
		5	5625	5375	5462	5369	5722		
		10	5365	5692	5589	5435	5324		
		15	5384	5457	5259	5606	5639		
		20	5322	5612	5637	5401	5383		
		25	5459	5381	5395	5436	5524		
		30	5689	5476	5492	5300	5362		
		35	5323	5721	5575	5533	5446		
		40	5352	5303	5600	5385	5681		
		45	5482	5415	5254	5615	5390		
		50	5699	5591	5257	5359	5284		
		55	5630	5494	5327	5276	5667		
		60	5380	5614	5547	5636	5348		
		65	5485	5607	5548	5507	5537		
		70	5404	5656	5266	5624	5702		
		75	5313	5488	5546	5339	5646		
		80	5577	5518	5434	5355	5382		
		85	5638	5628	5677	5372	5714		
		90	5361	5470	5593	5668	5342		
		95	5631	5477	5650	5664	5464		

Type 6 Radar Waveform_20

	Download	Trial Id	Radar Type	Pulse Width (us)	PRI (us)	Pulses per Hop	Hopping Rate (kHz)	Hopping Sequence Length (us)	Visible Frequency Number
		19	Type 6	1.0	333.3	9	0.3333	300.0000000	2
			Frequency List (MHz)	0	1	2	3	4	
			0	5399	5510	5579	5578	5584	
			5	5667	5397	5537	5532	5551	
			10	5674	5481	5630	5345	5375	
			15	5362	5651	5356	5708	5303	
			20	5675	5490	5250	5598	5637	
			25	5558	5256	5365	5449	5515	
			30	5611	5618	5288	5426	5599	
			35	5266	5386	5538	5625	5411	
			40	5395	5337	5673	5488	5655	
			45	5500	5400	5642	5443	5657	
			50	5436	5472	5684	5621	5722	
			55	5321	5545	5559	5379	5462	
			60	5366	5549	5434	5643	5283	
			65	5302	5340	5476	5484	5590	
			70	5503	5661	5660	5608	5689	
			75	5320	5423	5687	5299	5418	
			80	5686	5541	5567	5262	5467	
			85	5582	5412	5718	5316	5546	
			90	5279	5513	5586	5719	5407	
			95	5416	5526	5520	5668	5694	

Type 6 Radar Waveform_21

	Download	Trial Id	Radar Type	Pulse Width (us)	PRI (us)	Pulses per Hop	Hopping Rate (kHz)	Hopping Sequence Length (us)	Visible Frequency Number
		20	Type 6	1.0	333.3	9	0.3333	300.0000000	1
			Frequency List (MHz)	0	1	2	3	4	
			0	5654	5274	5515	5264	5426	
			5	5709	5322	5612	5695	5283	
			10	5605	5270	5671	5253	5366	
			15	5463	5711	5465	5696	5548	
			20	5716	5372	5616	5482	5329	
			25	5613	5657	5704	5266	5592	
			30	5395	5351	5406	5633	5288	
			35	5341	5427	5379	5697	5374	
			40	5277	5418	5469	5390	5575	
			45	5340	5278	5420	5256	5541	
			50	5542	5376	5576	5693	5532	
			55	5480	5380	5660	5538	5399	
			60	5343	5353	5710	5601	5686	
			65	5385	5312	5275	5383	5582	
			70	5590	5669	5618	5645	5250	
			75	5487	5439	5479	5620	5629	
			80	5631	5357	5301	5675	5700	
			85	5555	5287	5578	5683	5394	
			90	5444	5409	5659	5547	5491	
			95	5611	5302	5313	5684	5299	

Type 6 Radar Waveform_22

	Download	Trial Id	Radar Type	Pulse Width (us)	PRI (us)	Pulses per Hop	Hopping Rate (kHz)	Hopping Sequence Length (us)	Visible Frequency Number
		21	Type 6	1.0	333.3	9	0.3333	300.0000000	5
			Frequency List (MHz)	0	1	2	3	4	
			0	5337	5513	5451	5328	5646	
			5	5276	5344	5667	5286	5490	
			10	5536	5534	5334	5448	5387	
			15	5551	5266	5568	5644	5265	
			20	5724	5538	5557	5571	5302	
			25	5501	5509	5432	5370	5626	
			30	5437	5715	5363	5373	5537	
			35	5636	5566	5470	5493	5527	
			40	5666	5257	5552	5317	5630	
			45	5689	5647	5258	5503	5692	
			50	5594	5332	5252	5277	5269	
			55	5621	5681	5702	5492	5589	
			60	5637	5567	5482	5400	5546	
			65	5518	5686	5573	5618	5325	
			70	5464	5324	5717	5711	5587	
			75	5288	5455	5579	5403	5282	
			80	5452	5335	5336	5641	5680	
			85	5444	5348	5285	5279	5415	
			90	5417	5264	5401	5308	5347	
			95	5655	5707	5323	5678	5441	

Type 6 Radar Waveform_23									
	Download	Trial Id	Radar Type	Pulse Width (us)	PRI (us)	Pulses per Hop	Hopping Rate (kHz)	Hopping Sequence Length (ms)	Visible Frequency Number
		22	Type 6	1.0	333.3	9	0.3333	300.0000000	3
			Frequency List (MHz)	0	1	2	3	4	
			0	5592	5277	5387	5489	5488	
			5	5415	5269	5287	5449	5319	
			10	5370	5420	5375	5643	5408	
			15	5639	5393	5671	5689	5457	
			20	5635	5607	5595	5563	5275	
			25	5292	5361	5474	5660	5479	
			30	5701	5320	5588	5359	5608	
			35	5561	5289	5680	5580	5571	
			40	5257	5255	5298	5666	5576	
			45	5713	5586	5647	5694	5506	
			50	5453	5710	5504	5646	5446	
			55	5304	5456	5538	5611	5565	
			60	5491	5447	5512	5301	5299	
			65	5281	5654	5632	5259	5602	
			70	5411	5697	5590	5515	5431	
			75	5470	5396	5546	5263	5445	
			80	5518	5704	5309	5347	5665	
			85	5723	5471	5380	5371	5629	
			90	5566	5314	5284	5637	5341	
			95	5340	5312	5694	5256	5360	

Type 6 Radar Waveform_24									
	Download	Trial Id	Radar Type	Pulse Width (us)	PRI (us)	Pulses per Hop	Hopping Rate (kHz)	Hopping Sequence Length (ms)	Visible Frequency Number
		23	Type 6	1.0	333.3	9	0.3333	300.0000000	5
			Frequency List (MHz)	0	1	2	3	4	
			0	5372	5516	5323	5650	5708	
			5	5457	5291	5362	5612	5526	
			10	5301	5684	5416	5363	5429	
			15	5630	5520	5677	5259	5649	
			20	5643	5298	5536	5652	5723	
			25	5655	5310	5675	5694	5618	
			30	5590	5328	5483	5654	5272	
			35	5657	5455	5591	5410	5340	
			40	5668	5538	5663	5408	5693	
			45	5669	5333	5700	5484	5382	
			50	5629	5371	5421	5327	5493	
			55	5400	5494	5275	5509	5265	
			60	5255	5533	5279	5435	5722	
			65	5597	5705	5593	5367	5626	
			70	5405	5483	5683	5364	5407	
			75	5497	5342	5592	5719	5384	
			80	5458	5373	5682	5389	5577	
			85	5601	5250	5507	5308	5422	
			90	5285	5352	5256	5320	5318	
			95	5322	5353	5357	5578	5474	

Type 6 Radar Waveform_25									
	Download	Trial Id	Radar Type	Pulse Width (us)	PRI (us)	Pulses per Hop	Hopping Rate (kHz)	Hopping Sequence Length (ms)	Visible Frequency Number
		24	Type 6	1.0	333.3	9	0.3333	300.0000000	2
			Frequency List (MHz)	0	1	2	3	4	
			0	5627	5377	5259	5336	5550	
			5	5499	5691	5437	5300	5258	
			10	5707	5473	5457	5558	5450	
			15	5718	5647	5305	5304	5366	
			20	5651	5464	5477	5644	5696	
			25	5446	5637	5566	5253	5660	
			30	5479	5612	5615	5411	5268	
			35	5453	5608	5505	5346	5423	
			40	5606	5303	5337	5673	5277	
			45	5294	5656	5371	5330	5422	
			50	5510	5625	5365	5354	5587	
			55	5472	5480	5394	5420	5478	
			60	5586	5261	5668	5323	5654	
			65	5629	5674	5421	5683	5652	
			70	5291	5693	5688	5383	5456	
			75	5311	5636	5260	5322	5568	
			80	5452	5574	5321	5250	5271	
			85	5283	5376	5533	5326	5255	
			90	5679	5462	5374	5562	5469	
			95	5592	5657	5474	5329	5720	

Type 6 Radar Waveform_26

	Download	Trial Id	Radar Type	Pulse Width (us)	PRI (us)	Pulses per Hop	Hopping Rate (kHz)	Hopping Sequence Length (us)	Visible Frequency Number
		25	Type 6	1.0	333.3	9	0.3333	300.0000000	3
			Frequency List (MHz)	0	1	2	3	4	
			0	5407	5616	5670	5497	5295	
			5	5541	5713	5512	5366	5562	
			10	5262	5498	5656	5471	5331	
			15	5299	5408	5252	5558	5533	
			20	5515	5258	5669	5334	5586	
			25	5672	5665	5702	5465	5569	
			30	5661	5389	5550	5456	5724	
			35	5286	5419	5660	5603	5544	
			40	5446	5657	5266	5653	5360	
			45	5352	5709	5636	5609	5506	
			50	5473	5599	5351	5284	5553	
			55	5308	5302	5291	5354	5523	
			60	5585	5423	5418	5614	5621	
			65	5568	5409	5313	5486	5277	
			70	5696	5537	5415	5658	5659	
			75	5306	5303	5413	5581	5410	
			80	5535	5571	5516	5628	5288	
			85	5475	5556	5427	5370	5429	
			90	5289	5561	5391	5477	5643	
			95	5367	5474	5715	5369	5357	

Type 6 Radar Waveform_27

	Download	Trial Id	Radar Type	Pulse Width (us)	PRI (us)	Pulses per Hop	Hopping Rate (kHz)	Hopping Sequence Length (us)	Visible Frequency Number
		26	Type 6	1.0	333.3	9	0.3333	300.0000000	3
			Frequency List (MHz)	0	1	2	3	4	
			0	5565	5380	5606	5658	5612	
			5	5680	5260	5587	5529	5294	
			10	5472	5526	5539	5376	5492	
			15	5419	5329	5511	5297	5372	
			20	5570	5699	5456	5250	5642	
			25	5600	5438	5400	5512	5366	
			30	5354	5401	5541	5395	5592	
			35	5547	5617	5439	5430	5499	
			40	5686	5482	5654	5573	5633	
			45	5443	5410	5287	5523	5388	
			50	5682	5524	5688	5649	5703	
			55	5266	5262	5585	5325	5555	
			60	5275	5368	5485	5657	5347	
			65	5552	5604	5716	5583	5667	
			70	5321	5263	5289	5713	5374	
			75	5627	5304	5449	5284	5665	
			80	5691	5666	5602	5578	5568	
			85	5711	5531	5605	5424	5381	
			90	5457	5276	5435	5701	5346	
			95	5505	5532	5265	5453	5675	

Type 6 Radar Waveform_28

	Download	Trial Id	Radar Type	Pulse Width (us)	PRI (us)	Pulses per Hop	Hopping Rate (kHz)	Hopping Sequence Length (us)	Visible Frequency Number
		27	Type 6	1.0	333.3	9	0.3333	300.0000000	3
			Frequency List (MHz)	0	1	2	3	4	
			0	5345	5619	5542	5344	5357	
			5	5722	5660	5662	5692	5501	
			10	5306	5412	5580	5571	5513	
			15	5410	5456	5614	5342	5564	
			20	5578	5293	5397	5339	5615	
			25	5488	5290	5603	5616	5258	
			30	5408	5718	5483	5315	5690	
			35	5256	5638	5413	5689	5338	
			40	5294	5420	5451	5273	5502	
			45	5516	5526	5371	5340	5313	
			50	5264	5383	5575	5302	5472	
			55	5550	5454	5691	5682	5307	
			60	5296	5684	5440	5654	5311	
			65	5548	5640	5378	5470	5490	
			70	5724	5324	5613	5333	5596	
			75	5424	5495	5265	5326	5447	
			80	5291	5263	5565	5431	5531	
			85	5544	5257	5287	5389	5335	
			90	5705	5388	5441	5260	5703	
			95	5522	5587	5611	5432	5303	

Type 6 Radar Waveform_29

	Download	Trial Id	Radar Type	Pulse Width (us)	PRI (us)	Pulses per Hop	Hopping Rate (kHz)	Hopping Sequence Length (us)	Visible Frequency Number
		28	Type 6	1.0	333.3	9	0.3333	300,0000000	4
			Frequency List (MHz)	0	1	2	3	4	
			0	5600	5383	5478	5408	5674	
			5	5289	5682	5262	5380	5708	
			10	5712	5676	5621	5291	5534	
			15	5498	5583	5620	5290	5281	
			20	5489	5459	5435	5331	5588	
			25	5376	5714	5342	5292	5450	
			30	5704	5440	5259	5467	5510	
			35	5395	5254	5684	5367	5258	
			40	5274	5377	5261	5691	5270	
			45	5334	5496	5609	5429	5393	
			50	5578	5615	5559	5626	5488	
			55	5295	5494	5642	5645	5397	
			60	5601	5267	5338	5605	5355	
			65	5486	5709	5549	5371	5579	
			70	5283	5273	5562	5332	5424	
			75	5462	5665	5468	5544	5638	
			80	5721	5597	5339	5703	5455	
			85	5326	5465	5723	5434	5386	
			90	5317	5479	5257	5586	5509	
			95	5447	5672	5539	5692	5536	

Type 6 Radar Waveform_30

	Download	Trial Id	Radar Type	Pulse Width (us)	PRI (us)	Pulses per Hop	Hopping Rate (kHz)	Hopping Sequence Length (us)	Visible Frequency Number
		29	Type 6	1.0	333.3	9	0.3333	300,0000000	4
			Frequency List (MHz)	0	1	2	3	4	
			0	5380	5622	5414	5569	5419	
			5	5331	5607	5337	5543	5537	
			10	5643	5465	5284	5486	5555	
			15	5586	5710	5723	5335	5473	
			20	5497	5528	5376	5420	5561	
			25	5642	5566	5534	5446	5326	
			30	5589	5593	5397	5474	5716	
			35	5708	5437	5345	5480	5520	
			40	5269	5588	5557	5674	5359	
			45	5267	5263	5476	5692	5487	
			50	5491	5260	5677	5577	5341	
			55	5355	5502	5587	5616	5467	
			60	5295	5300	5318	5535	5592	
			65	5572	5399	5615	5493	5540	
			70	5551	5256	5427	5311	5641	
			75	5251	5567	5306	5702	5374	
			80	5449	5484	5619	5389	5462	
			85	5443	5325	5280	5574	5697	
			90	5340	5406	5550	5706	5370	
			95	5338	5556	5676	5434	5293	

6. CONCLUSION

The data collected relate only the item(s) tested and show that the device is compliance with FCC Rules.

The End

Appendix A - Test Setup Photograph

Refer to "2105RSU006-UT" file.

Appendix B - EUT Photograph

Refer to "2105RSU006-UE" file.