



**深圳澳特爱电子有限公司**  
ATI Electronics (Shenzhen) Co.,LT

# **Vivitar® VM60013BT Bluetooth® Speaker**

## **User Guide**

Thank you for purchasing the Vivitar® VM60013BT Bluetooth® Speaker.

### **Introduction**

With this speaker, you will enjoy listening to high quality music wirelessly using Bluetooth® technology. Easily connect to any mobile device for both conversation and music listening. It also pairs with other Bluetooth-enabled devices (Bluetooth V3.0+EDR specification and HSP, HFP, A2DP and AVRCP profiles).

### **Specifications**

- Bluetooth Specification: V3.0+EDR
- Operation Frequency: 2.402-2.48GHz
- Supported Profile: HSP, HFP, A2DP, AVRCP
- Operation Range: Up to 33 feet (10 meters)
- Talk Time: 4 hours
- Play Time: 2 hours
- Standby Time: 10 hours
- Battery Type: 400mAh, 3.7V, Polymer Lithium Ion Battery
- Charge Time: 2 Hours

**In the Box**

- Bluetooth® Speaker
- USB Charging Cable
- User Manual

**Safety Precautions**

- Please read this User Manual carefully and follow all instructions.
- To avoid damage or malfunction of the speaker do not drop it from high locations and/or on to hard surfaces, do not place heavy objects on it.
- Keep speaker away from humidity, water and other liquids. If it does get wet, do not operate as this may cause an electrical shock, explosion and damage to the device or to the user.
- Do not place or keep this product near heat sources, such as direct sunlight, radiators, stoves or any other apparatus that produces heat. This may cause an explosion, degrade the performance and/or reduce battery life.
- Do not modify, repair or disassemble device (especially the battery). Doing so will void the warranty. The battery in this device may present a risk of fire or chemical burns if misused or tampered with.
- Use only supplied and manufacturer-approved chargers and unplug this device when not in use for long periods of time or during lightning storms.

**FCC Statement**

This device complies with the part 15 of the FCC rules. Operation is subject to the following two conditions: (1) this device may not cause harmful interference, and (2) this device must accept any interference received, including interference that may cause undesired operation.

**Caution:** Changes or modifications not expressly approved by the party responsible for compliance could void the user's authority to operate the equipment.

**NOTE:** This equipment has been tested and found to comply with the limits for a Class B digital device, pursuant to part 15 of the FCC Rules. These limits are designed to provide reasonable protection against harmful interference in a residential installation. This equipment generates, uses and can radiate radio frequency energy and, if not installed and used in accordance with the instructions, may cause harmful interference to radio communications. However, there is no guarantee that interference will not occur in a particular installation. If this equipment does cause harmful interference to radio or television reception, which can be determined by turning the equipment off and on, the user is encouraged to try to correct the interference by one or more of the following measures:

- Reorient or relocate the receiving antenna.
- Increase the separation between the equipment and receiver.
- Connect the equipment into an outlet on a circuit different from that to which the receiver is connected.
- Consult the dealer or an experienced radio/TV technician for help.

### **EC Declaration of Conformity**

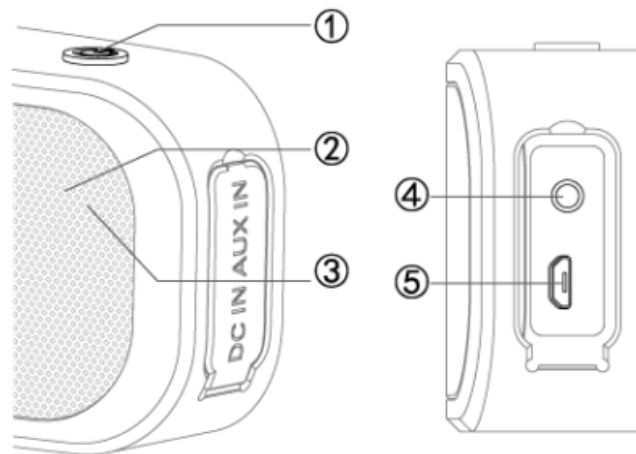
Operation is subject to the following two conditions:

1. This device may not cause harmful interference.
2. This device must accept any interference received, including interference that may cause undesired operation.

**Note:** The manufacturer is not responsible for ANY interference, for example RADIO or TV interference, caused by unauthorized modifications to this equipment. Such modifications could void the user's authority to operate the equipment. This product is CE certified according to the provision of the R&TTE Directive (99/5/EC). This declares that this product is in compliance with the essential requirements and other relevant provisions of Directive 1999/5/EC. Please note that this product uses radio frequency bands not harmonized within EU. Within the EU this product is intended for use in Austria, Belgium, Denmark, Finland, France, Germany, Greece, Ireland, Italy, Luxembourg, the Netherlands, Portugal, Spain, Sweden, and United Kingdom and within EFTA in Iceland, Norway and Switzerland.

### Location of Controls

- ① Power/Play/Pause/Answer
- ② LED Indicator Light
- ③ Microphone
- ④ Auxiliary Port
- ⑤ Charging Port



### Battery Information

The device is equipped with an integrated lithium-polymer battery. The battery cannot be replaced. Do not attempt to remove the battery from the device since it would damage the device. The full performance of a new battery is not achieved until after two or three complete charging-discharging cycles. The battery can be charged and discharged several hundred times, but it loses its capacity over time.

Disconnect the VM60013BT from the power supply as soon as the battery is fully charged, overcharging would reduce the service life of the battery. A charged battery will lose its capacity if it is not used on a regular basis.

**Important:** Ensure that the battery is fully charged if the speaker is not used for a long period of time. To avoid a complete discharge of the battery, charge the speaker at least every six months.

### **Charging Your Speaker**

Your speaker has a built-in, rechargeable lithium-polymer battery. To avoid damage, do not attempt to remove the battery. The full performance of the battery is only achieved after two or three charging-discharging cycles. Charge the battery fully before first use. In order to charge the speaker's battery, follow the steps below:

1. Connect one end of the included USB charging cable to the charging port on your speaker. Then plug the other end of the USB charging cable into a USB port on your computer or a suitable power adapter in order to recharge your speaker's internal rechargeable battery.

**Note:** The internal battery of your speaker takes approximately two hours to charge when completely drained.

2. When the battery is charging, the LED indicator light will turn red. The LED indicator light will turn off when your unit is fully charged.

**Note:** Overcharging could reduce the life of the battery. A charged battery will lose its capacity if it is not used on a regular basis.

### **Powering Your Speaker On and OFF**

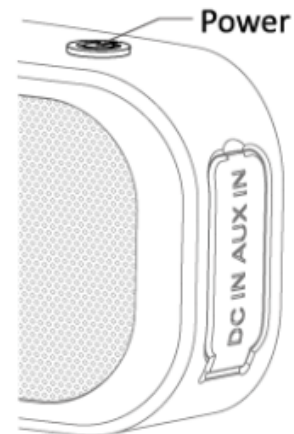
1. Press and hold the "POWER" button for 3 seconds to power on your speaker. If you have already paired your speaker to your Bluetooth device, it will automatically remain paired each time you power on your speaker.
2. Press and hold the "POWER" button for 5 seconds to turn power off your speaker.

**Note:** Your speaker will automatically power off when left idle for approximately ten minutes.

### **Pairing Your Speaker with a Bluetooth Device**

Your speaker can be paired with most Bluetooth devices including iPads, iPhones, iPod Touches, and most smartphones, laptops and tablets. In order to pair your speaker with a phone, follow the steps below:

1. Press and hold the "POWER" button for three seconds to turn on your speaker. The LED indicator light will start flash blue and red quickly. This indicates that your speaker is in pairing mode.
2. Go to the Bluetooth Manager of your Bluetooth device.
3. Search Bluetooth devices and select "vwater sp" to start connecting.
4. Enter "0000" if your device asks for the PIN code.
5. Once paired, the LED indicator light will blink blue once every five seconds.



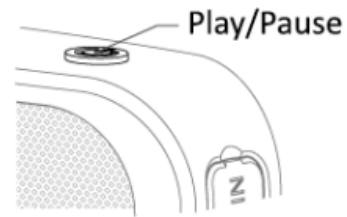


**Note:** If pairing is not completed within ten minutes, the speaker will power off. If this happens, please repeat the pairing steps above.

### Listening to Music on Your Speaker

**Play/Pause Button:** Press to play or pause a track.

**Note:** You can adjust volume and playback settings on your phone or connected audio device.



### External Audio Input

The VM60013BT has an AUX-IN port which can be used to connect an additional audio source using the 3.5mm Auxiliary Cable. When an audio source is plugged in using the 3.5mm Auxiliary Cable, any music playing on your speaker will pause and music playing from the plugged in audio source will play instead.



**Note:** The VM60013BT supports the A2DP profile which allows stereo music to stream from a Bluetooth phone. The music will pause automatically if a call is incoming, and resume when the call has ended.

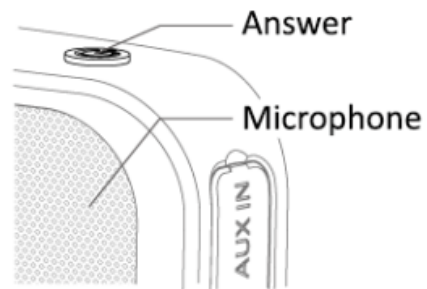
### **Using Your Speaker during a Phone Call**

**Last Number Re-dial:** In standby mode, press the **ANSWER** button twice to re-dial the last number called.

**Answering a Call:** Quickly press the **ANSWER** button to answer an incoming call.

**Reject an Incoming Call:** Press and hold the **ANSWER** button for two seconds to reject an incoming call.

**Ending a Call:** Quickly press the **ANSWER** button to end a call.



### **Warranty Information**

This warranty is non-transferable and is limited only to the original purchaser. The conditions of this warranty and supplier's responsibilities under this warranty are as follows:

- You must be able to prove the date of original purchase of the unit with a dated receipt.
- The warranty is not applicable if the product has been subject to physical abuse, improper installation, modification or repair by an unauthorized third party.
- Supplier's responsibility shall be limited to the repair or replacement of the product at its sole discretion.
- Specifically exempt from any warranty are limited-life consumable components subject to normal wear and tear such as batteries, decorates and other accessories.

- Supplier is not responsible, for failure resulting from accident, abuse, misuse, or any unauthorized repair, or modification.
- Modification and repair of the unit should be done by an authorized and qualified service center or returned to the manufacturer.
- This warranty gives you specific legal rights, and you may also have other rights, which vary under local laws.

#### **What is Covered**

This warranty covers for the original consumer purchaser only and is not transferable. Products that fail to function properly UNDER NORMAL USAGE, due to defects in material or workmanship will be repaired at no charge for parts or labor for a period of one year from the time of purchase.

#### **What is NOT Covered**

Damages or malfunctions not resulting from defects in material or workmanship and damages or malfunctions from other than normal use, including but limited to, repair by unauthorized parties, tampering, modification or accidents.

#### **Service and Returns**

When returning a defective product (postage pre-paid) for service, the package should include:

1. Copy of original bill of sale.
2. A detailed written description of the problem.
3. Your return address and telephone number (Daytime).

**Where to send defective products**

United States

Sakar International

Attention: Service Department

195 Carter Drive

Edison, NJ 08817

United Kingdom / Europe

Sakar International

Attention: Service Department

2D, Siskin Parkway East

4020 Middlemarch Business Park

Coventry, CV3 4SU

Australia

Return faulty device to the

Refund Counter at the store

where the product was purchased.

**Technical Support**

For technical support issues, visit our website at [www.vivitar.com](http://www.vivitar.com).

Manuals, software and FAQ's are available on line. If you can't find what you are looking for, e-mail us at [support@vivitar.com](mailto:support@vivitar.com) where one of our technical support team members will help you. US phone:

1-800-592-9541; UK phone: 0800 917 4831; Australia phone:

1800-006-614. Telephone numbers from other countries can be found at: [www.vivitar.com](http://www.vivitar.com).



FCC ID: SF4-SP048

Ver B