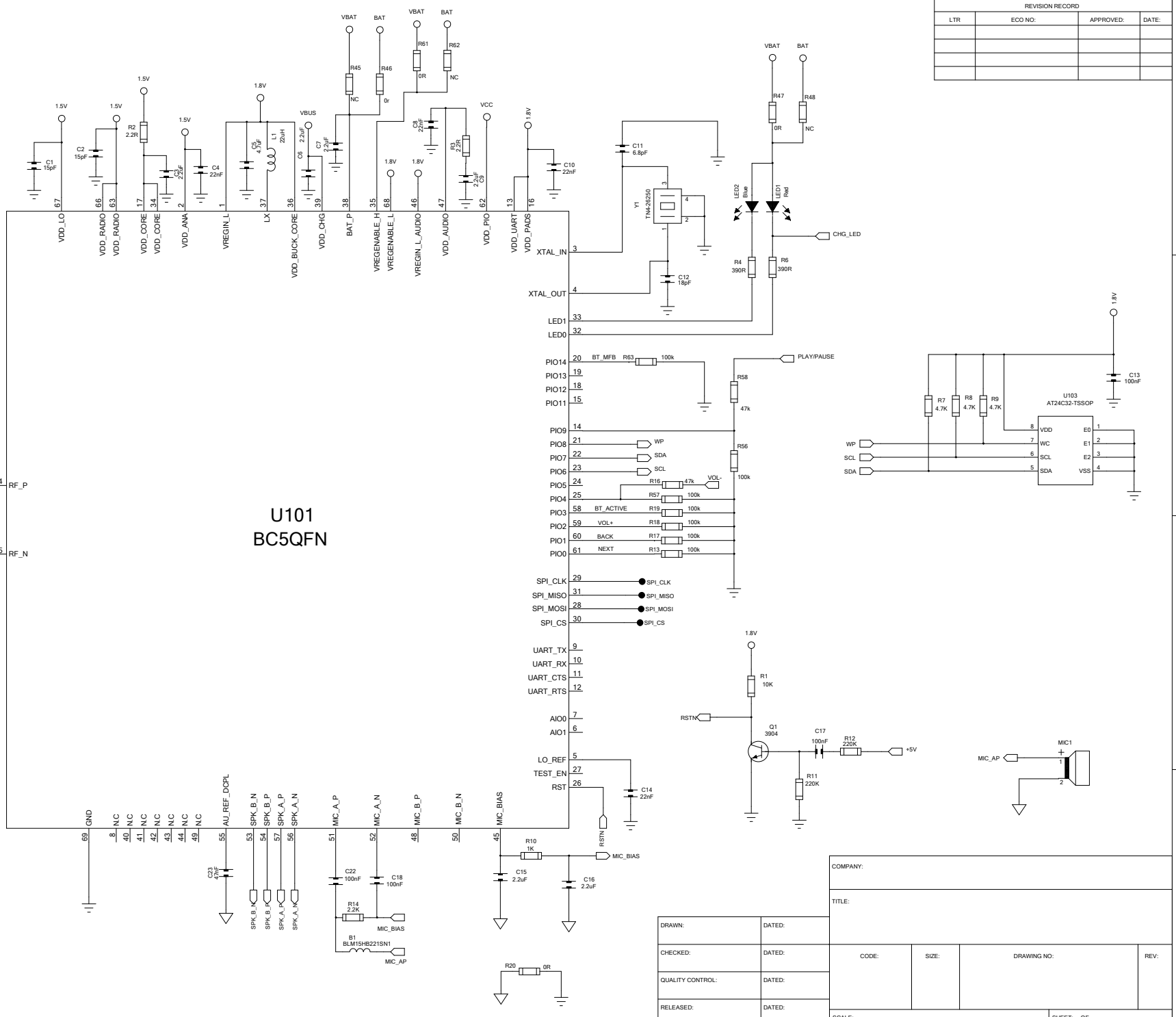


REVISION RECORD			
LTR	ECD NO.	APPROVED:	DATE:



D

C

D

C

B

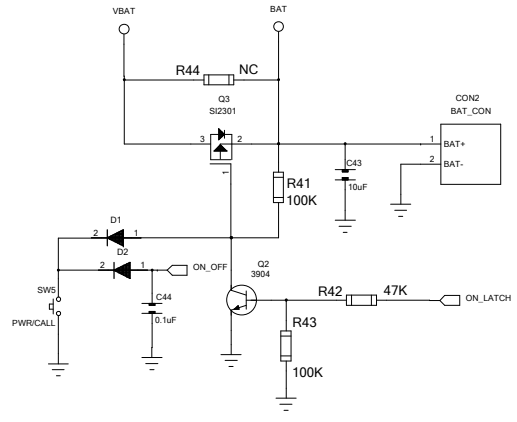
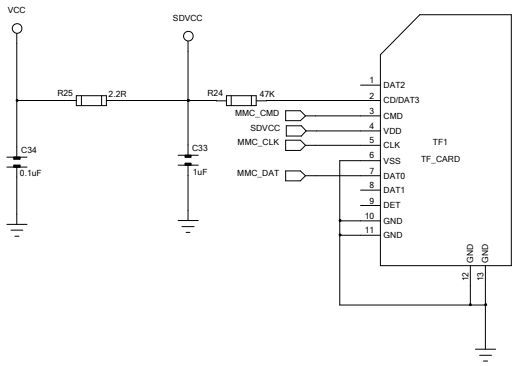
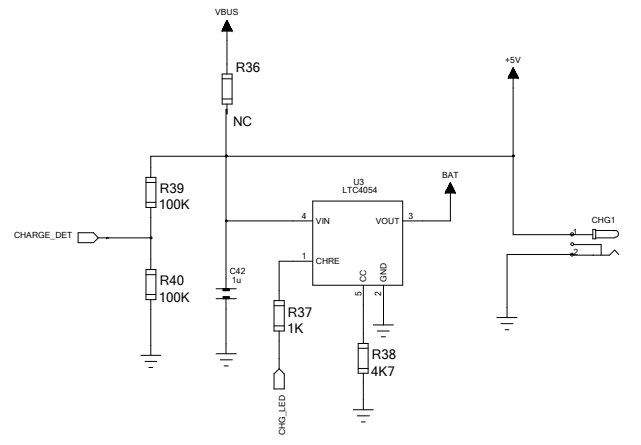
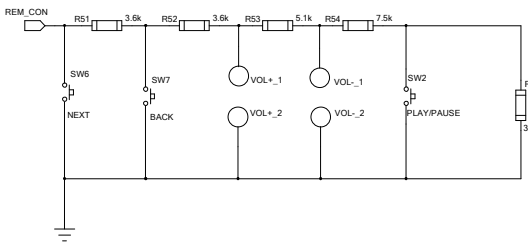
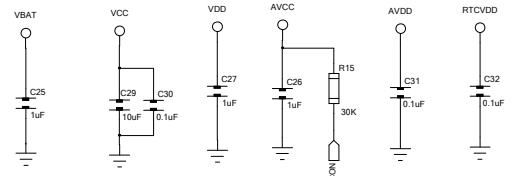
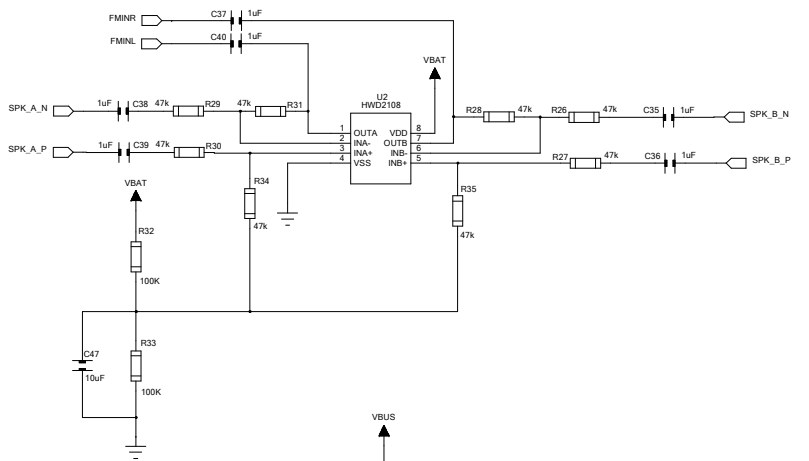
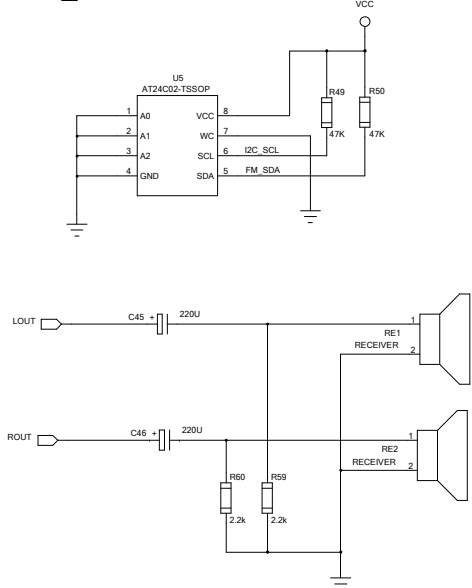
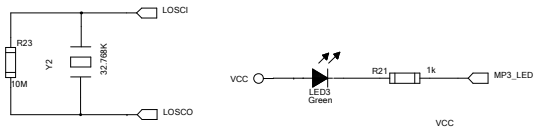
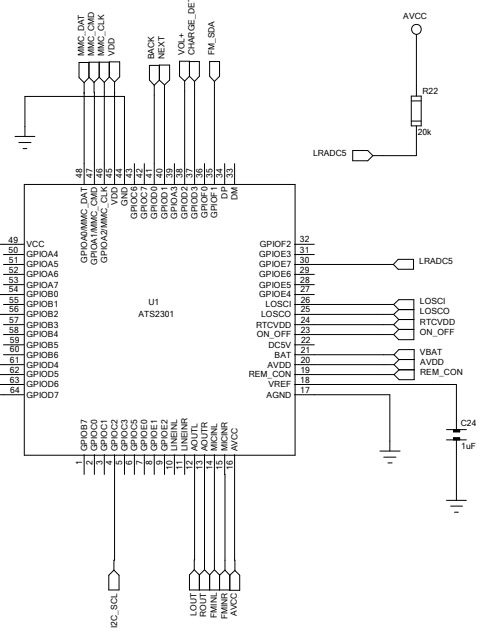
A

COMPANY:				
TITLE:				
DRAWN:	DATED:	CODE:	SIZE:	DRAWING NO.:
CHECKED:	DATED:	SCALE:	SHEET: OF	
QUALITY CONTROL:	DATED:	REV:		
RELEASED:	DATED:			

REVISION RECORD			
LTR	ECD NO.	APPROVED.	DATE.

D
C
B
A

D
C
B
A



COMPANY:			
TITLE:			
DRAWN:	DATED:	CODE:	REV:
CHECKED:	DATED:	SIZE:	DRAWING NO.:
QUALITY CONTROL:	DATED:	SHEET: OF	
RELEASED:	DATED:	SCALE:	