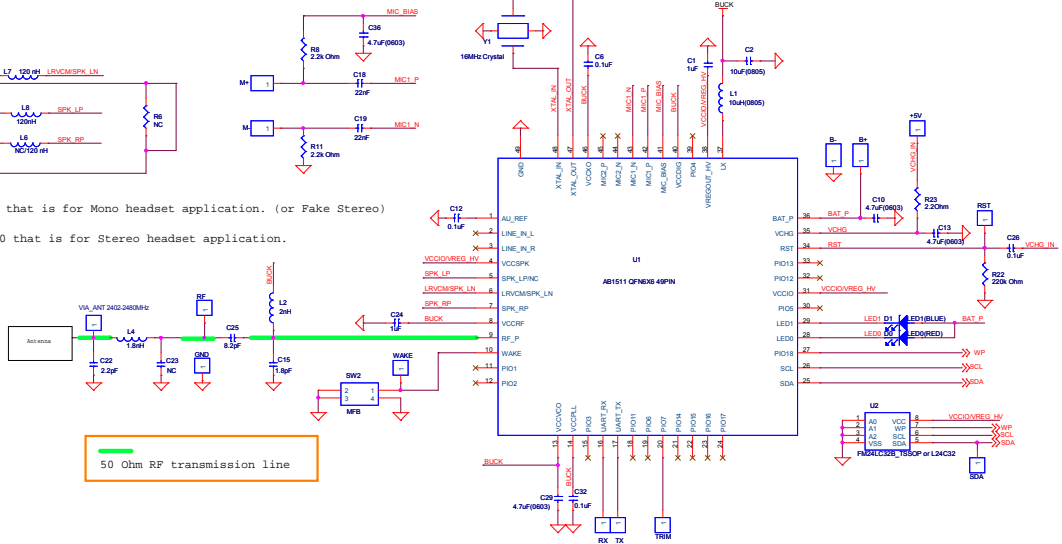


R6= 0 Ohm, L6= NC,U1=AB1511 that is for Mono headset application. (or Fake Stereo)
 R6= NC, L6=120 nH ,U1=AB1510 that is for Stereo headset application.



50 Ohm RF transmission line