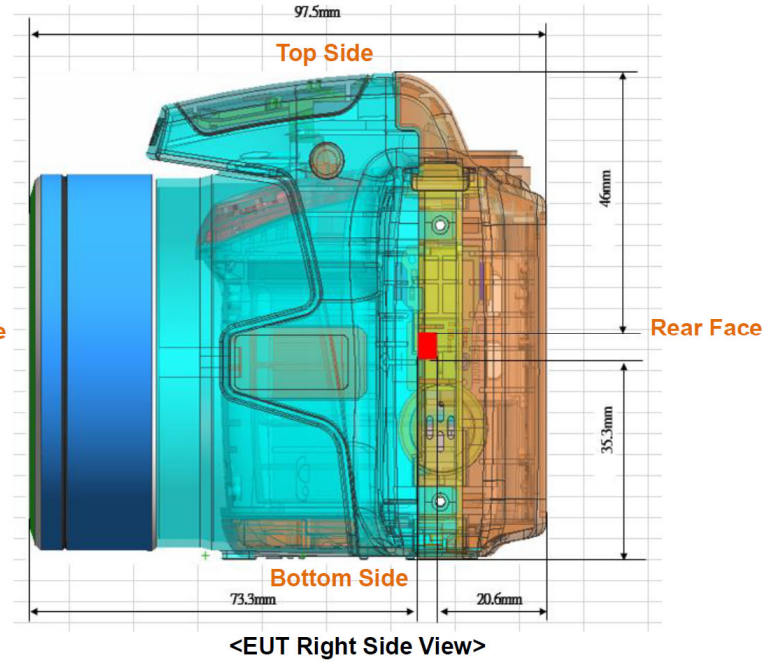
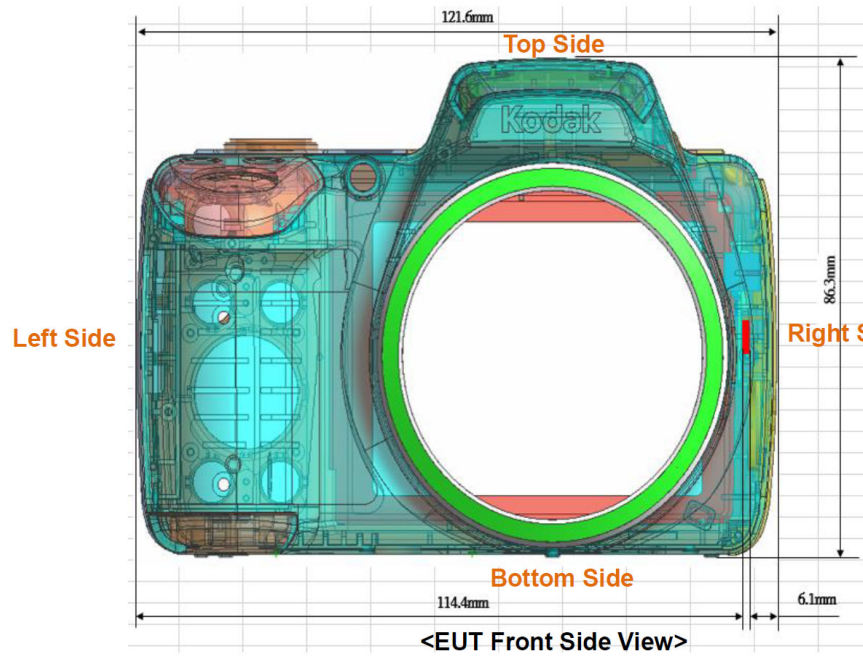


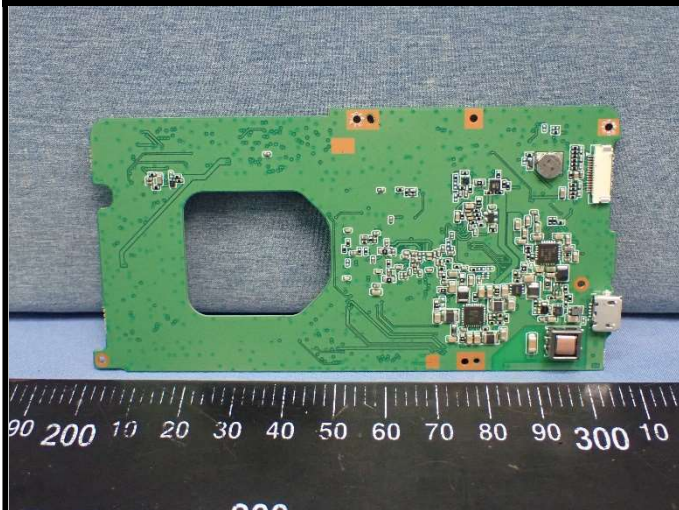
## **Photographs of EUT Setup and Antenna Location**

The photographs of EUT and setup for SAR testing are shown as follows.

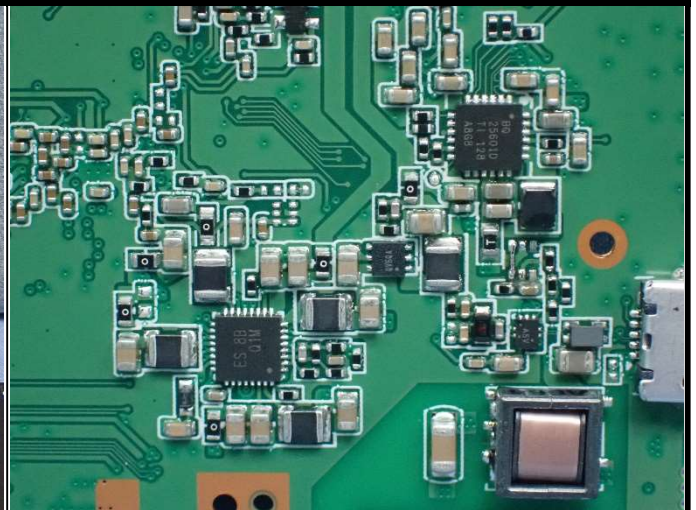


Antenna	To Front Face	To Rear Face	To Top Side	To Bottom Side	To Left Side	To Right Side
	(mm)	(mm)	(mm)	(mm)	(mm)	(mm)
WLAN	73.3	20.6	46.00	35.30	114.40	6.10

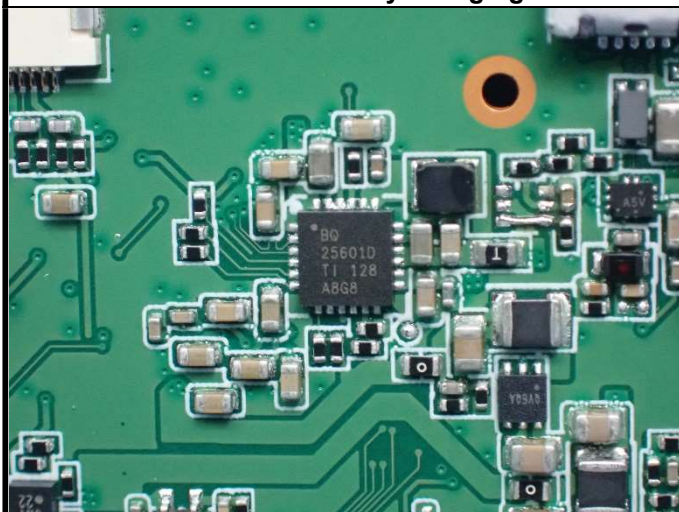
<Photographs of Battery Charging IC>



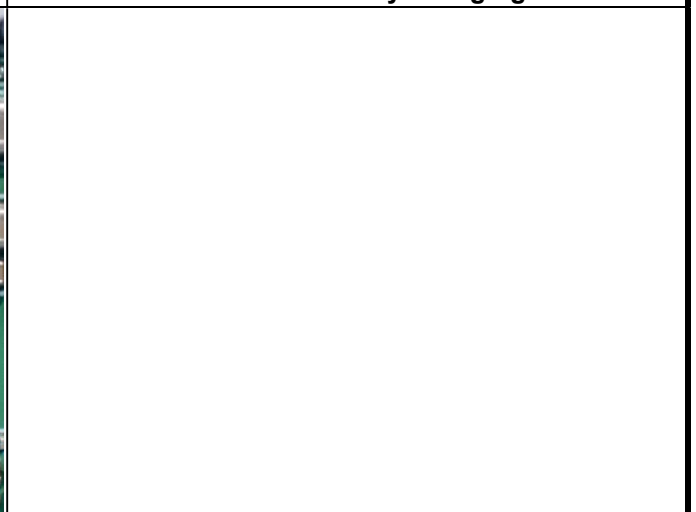
Front Face of Battery Charging IC



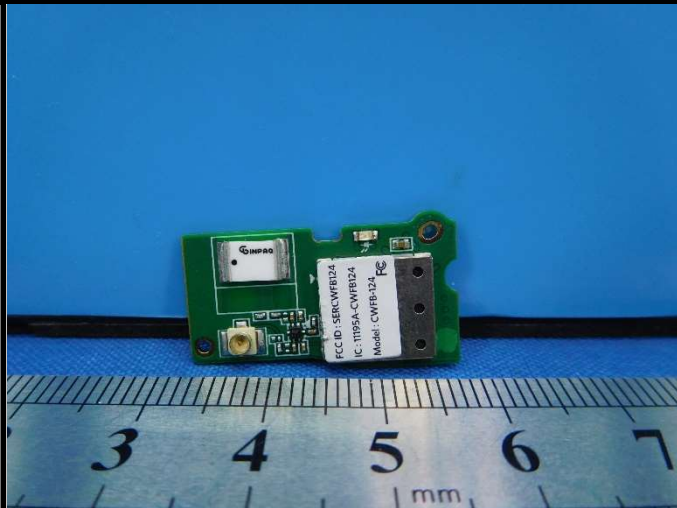
Front Face of Battery Charging IC



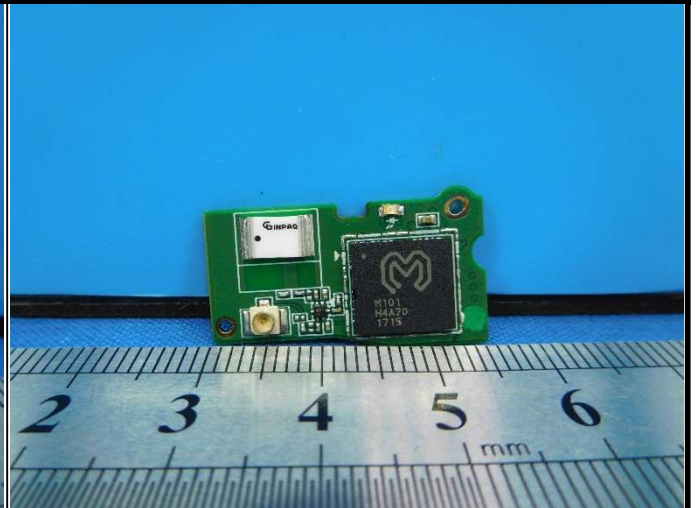
Front Face of Battery Charging IC



<Photographs of WLAN Module>



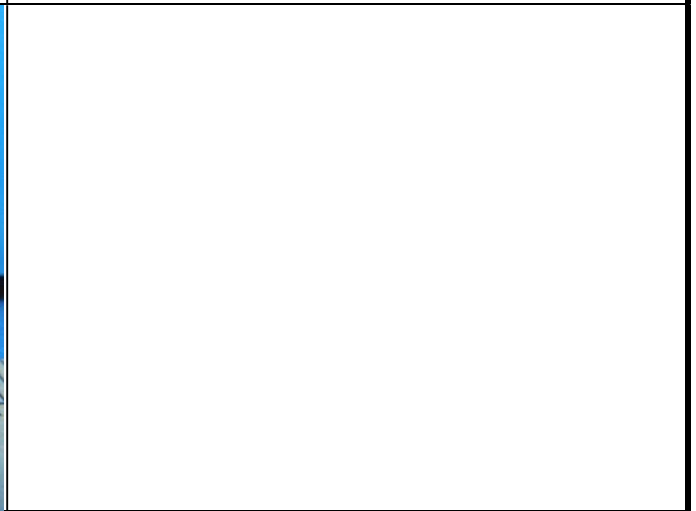
Front Face of WLAN Module



Front Face of WLAN Module



Rear Face of WLAN Module



**<Photographs of Body SAR Test Setup>**



**Front Face of EUT Tested at 0 mm**



**Rear Face of EUT Tested at 0 mm**



**Left Side of EUT Tested at 0 mm**



**Right Side of EUT Tested at 0 mm**



**Top Side of EUT Tested at 0 mm**



**Bottom Side of EUT Tested at 0 mm**