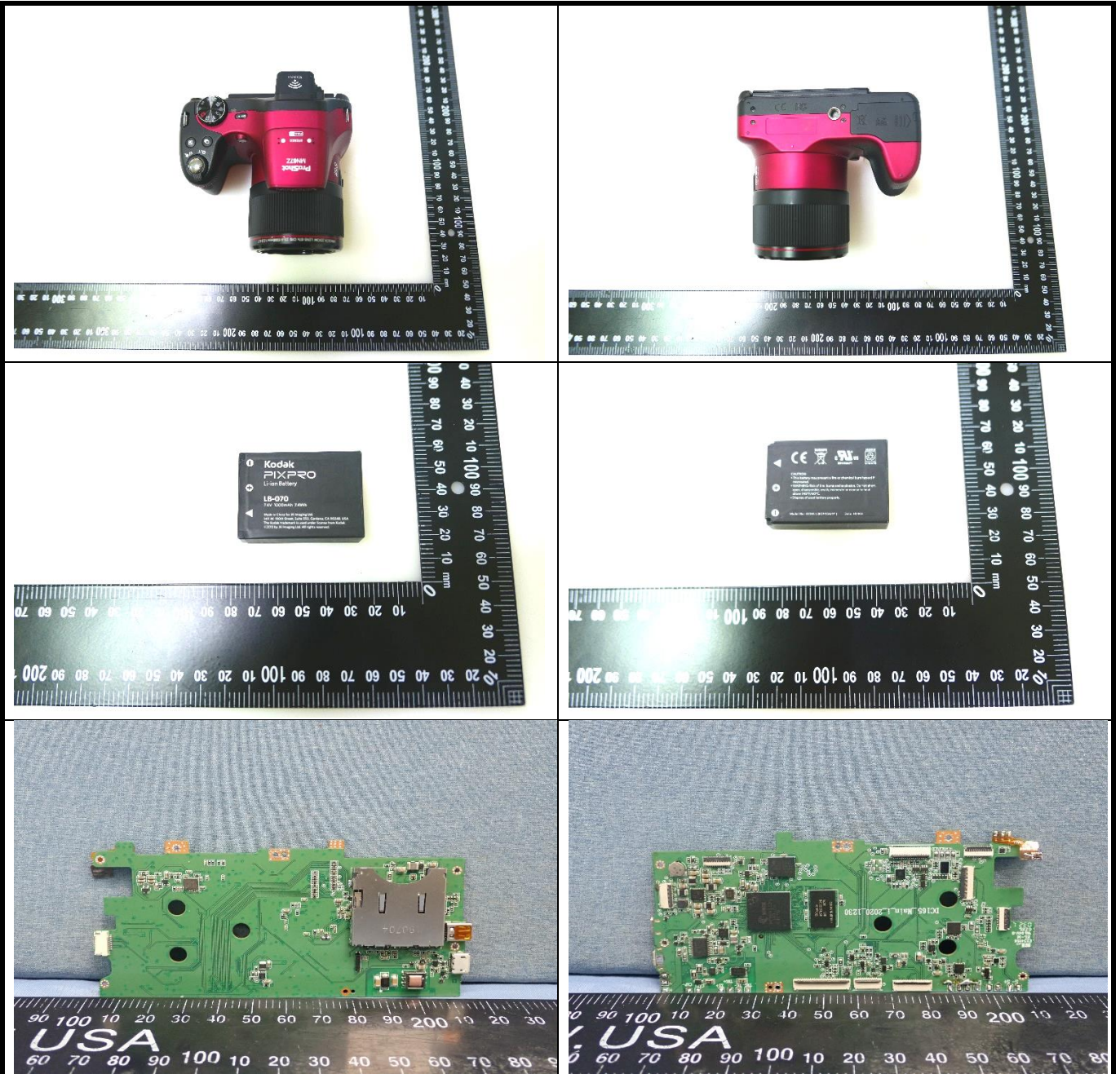
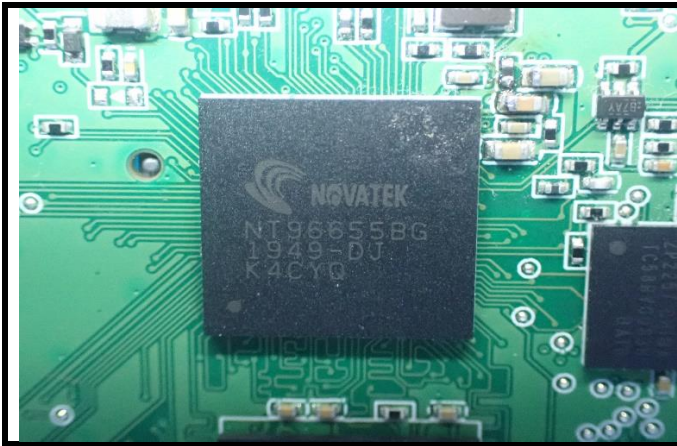


SAR Test Report

<Photographs of EUT>



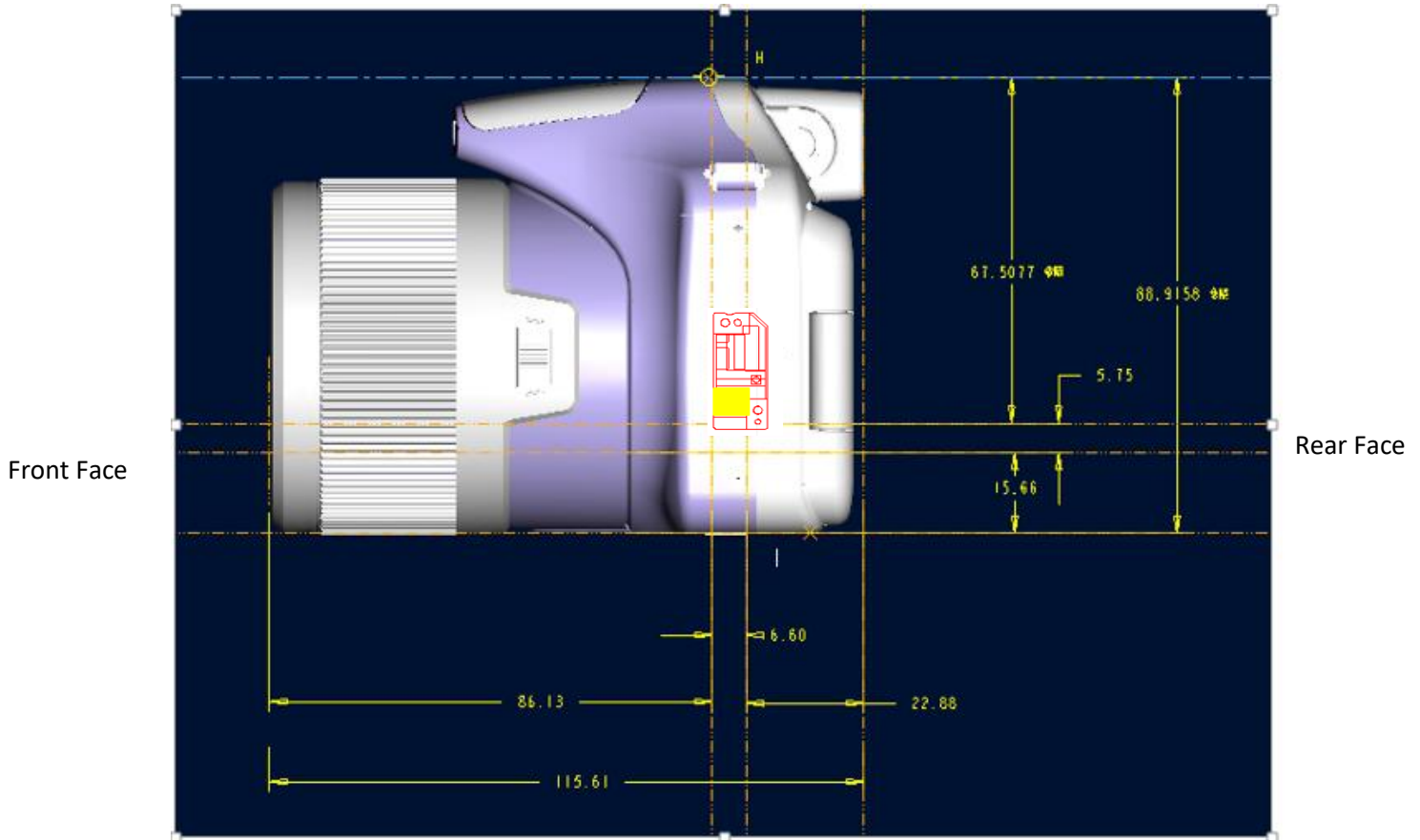
SAR Test Report



SAR Test Report

<Antenna Location>

Top Side



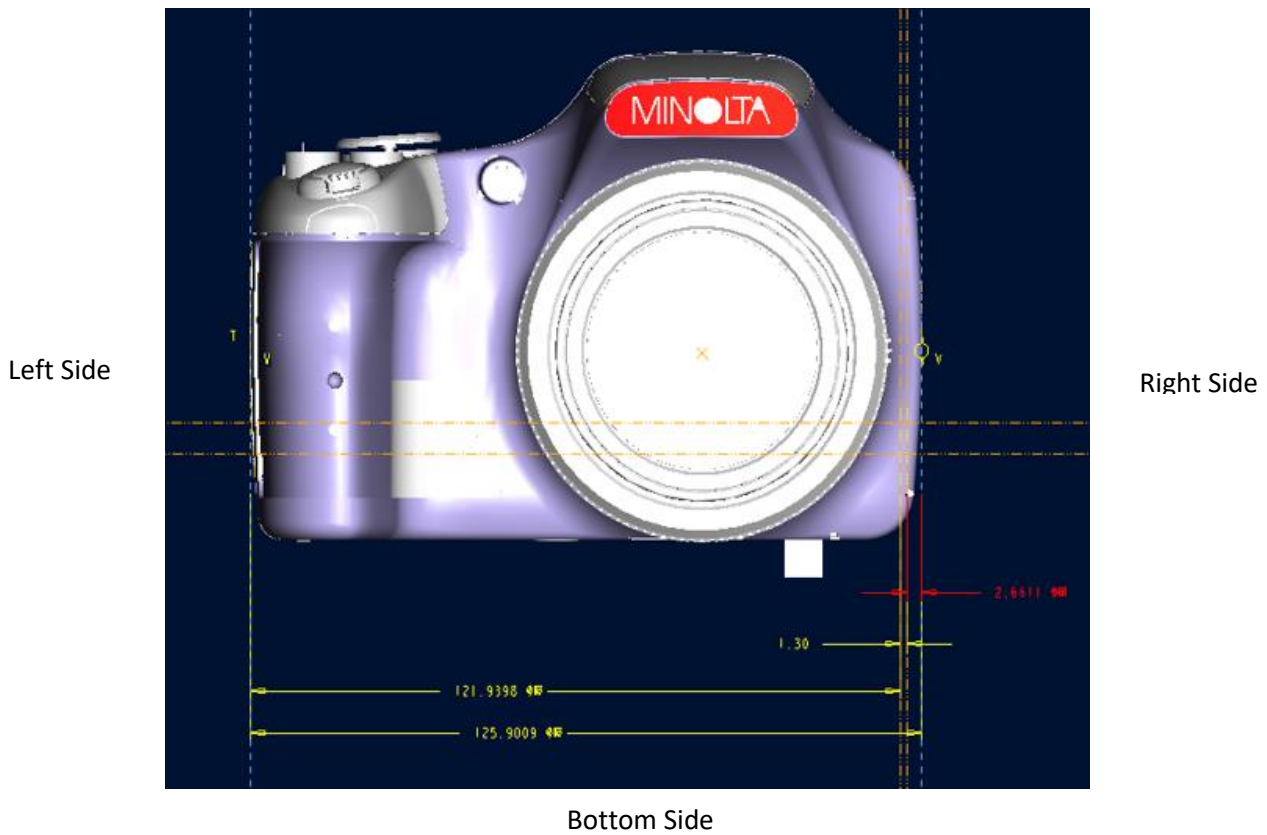
Bottom Side

<EUT Right Side View>

The separation distance for antenna to edge:

Antenna	To Top Side (mm)	To Bottom Side (mm)	To Rear Face (mm)	To Front Face (mm)
WLAN	67.5077	15.66	22.88	86.13

Top Side



The separation distance for antenna to edge:

Antenna	To Top Side (mm)	To Bottom Side (mm)	To Left Side (mm)	To Right Side (mm)
WLAN	67.5077	15.66	121.9398	2.6611

<Photographs of SAR Setup>

