

承认书

SPECIFICATION FOR APPROVAL

客户名称 (CUSTOMER NAME): 信泰

客户料号 (CUSTOMER NAME): CR5020606U9

产品名称 (PART NO.) : S2B4BC3F1B04000

送样日期 (SEND DATE.) : _____

新品承认 (Newly Approved) : _____

环保要求:

RoHS: 不要求 符合 ROHS 其他: _____

REACH: 不要求 符合 REACH 其他: _____

卤素限制: 不要求 其他: _____

出厂签章:

RD/研发部	ED/工程部	QA/品质部	SD/销售部	APPROVED/批准

承认签章:

RD/研发部	ED/工程部	QA/品质部	SD/销售部	APPROVED/批准

注: 此承认书一式三份按照左至右顺序签署。

敬请确认此承认书所有项目, 并签名和盖章后回签一份给我司。以作我司产品制作和存档之用·多谢合作。

Scale :	Unit: mm	Tolerances (Unless otherwise specified) X : ± 1 X.X : ± 0.1 X.XX : ± 0.01	深圳市福伯特电子有限公司 Shenzhen Fbetter Electronic Co.,Ltd ADD: Introduction Building 6F, Xinan Street 71, Baoan District, Shenzhen, Guangdong, China
Drawn By : Chris	Checked By : Nick		
Designed By : Cary	Approved By : Hank		

WIFI FPCB Antenna (DC338)

1. Explanation of Product Number

S	2	B	4	B	C	3	F	1	B	0	4	0	0	0
(1)				(2)			(3)	(4)		(5)				

| | | | |



Scale :	Unit: mm	Tolerances (Unless otherwise specified) X : ± 1 X.X : ± 0.1 0.1 X.XX : ± 0.01	深圳市福伯特电子有限公司 Shenzhen Fbetter Electronic Co.,Ltd ADD: Introduction Building 6F, Xinan Street 71, Baoan District, Shenzhen, Guangdong, China
Drawn By : Chris	Checked By : Nick		
Designed By : Cary	Approved By : Hank		

Product Description:

(1) Product Categories:

B4: WIFI Antenna

(2) Antenna type:

FPC + Cable

(3) Dimensions:

C3: 32x12*0.23(mm)

(4) Material:

F: FPC 线长 62.3mm

(5) Working Frequencies:

1B: 2.4G-2.5G

(6) Antenna Series:

01: Serial number

(7) RF Cable Loss / 引出射频线的线损 0.5(dB)

2. Features

*Stable and reliable in performances

*RoHS compliance

*Low cost

3. Applications

*WIFI IEEE802.11

4. Description

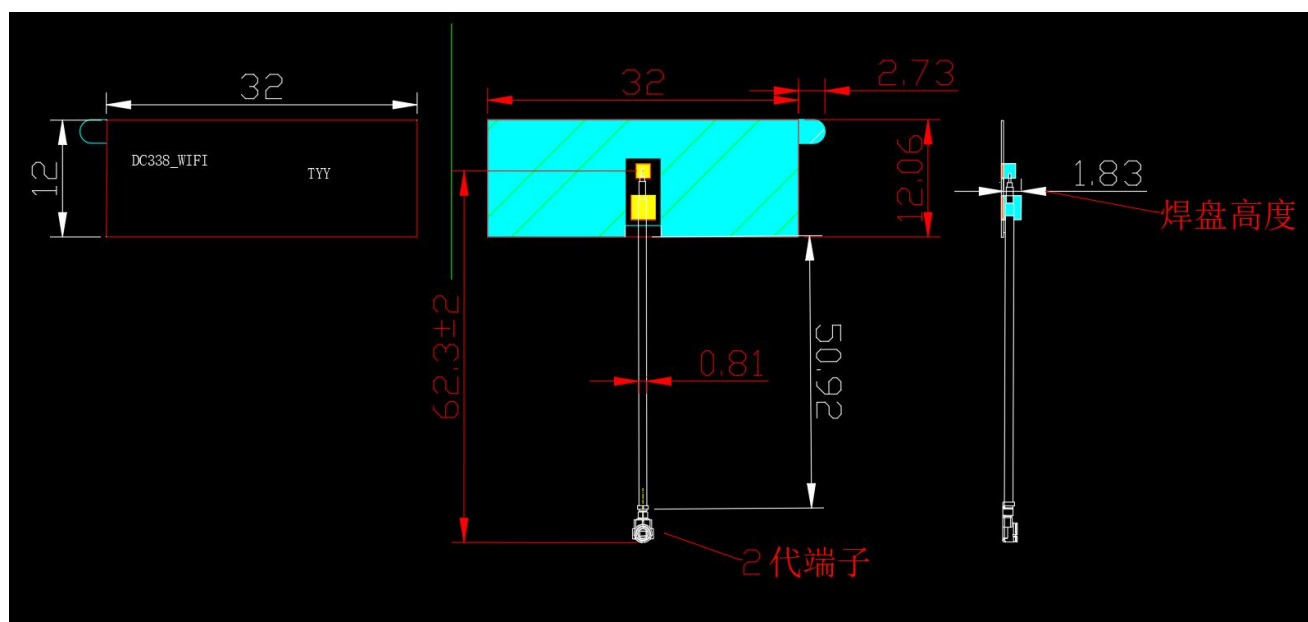
* Unictron's FPCB antenna series are specially designed for 2.4G-2.5G band application. Based on Unictron's proprietary designs and processes, this FPCB antenna has excellent stability and sensitivity to consistently provide high signal reception efficiency.

Scale :	Unit: mm	Tolerances (Unless otherwise specified) X : ± 1 X.X : ± 0.1 0.1 X.XX : ± 0.01	深圳市福伯特电子有限公司 Shenzhen Fbetter Electronic Co.,Ltd ADD: Introduction Building 6F, Xinan Street 71, Baoan District, Shenzhen, Guangdong, China
Drawn By : Chris	Checked By : Nick		
Designed By :Cary	Approved By :Hank		

5. Antenna Electrical Specifications :

Characteristics	Specifications			Unit
Outline Dimensions	32x12X0.23(mm)			mm
Frequency	2400~2500			MHz
Impedance	50			Ω
Polarization	Linear Polarization			
Return Loss Table	Return Loss			
Freq.Band	2.4G Hz	2.45G Hz	2.5G Hz	
dB	-16.98	-29.81	-17.34	
VSWR Table	VSWR			
Freq.Band	2.4G Hz	2.45G Hz	2.5G Hz	
	1.32	1.08	1.29	
GAIN Table	Total Gain = Xpol + Ppol			
Freq.Band	2400MHz	2450MHz	2485MHz	2500MHz
Peak Gain(dBi)	-1.64	-0.98	-2.08	

. Dimensions (unit: mm)



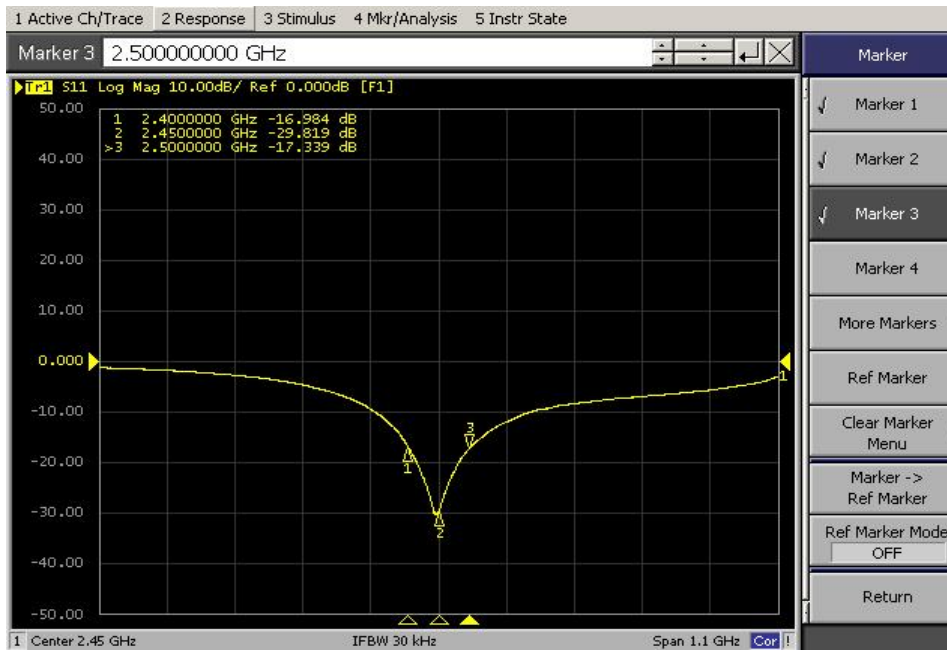
Unit:mm

未标示公差: ±0.2

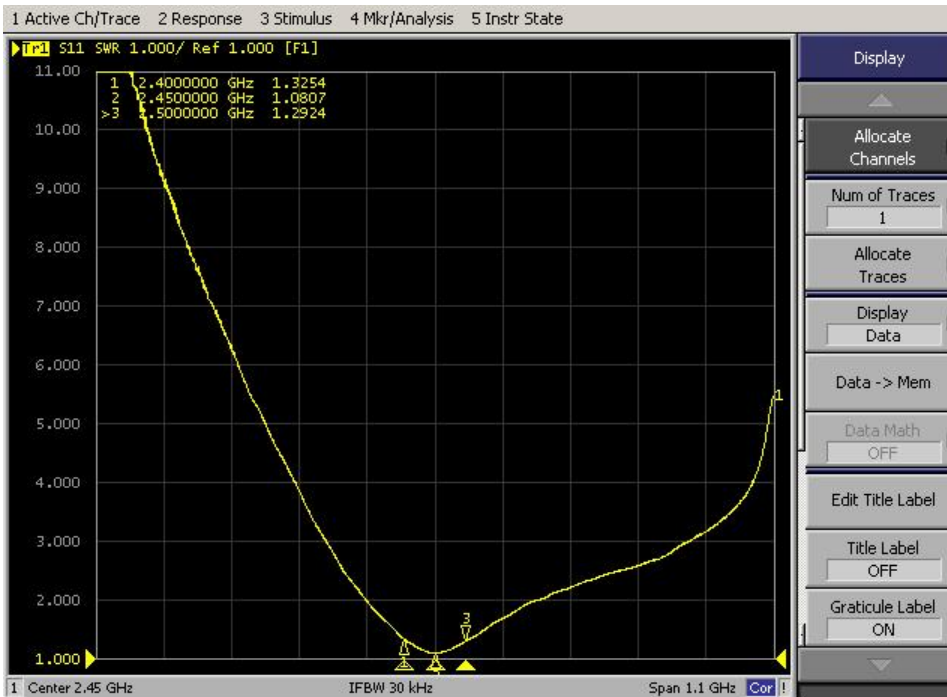
Scale :	Unit: mm	Tolerances (Unless otherwise specified) X : ± 1 X.X : ± 0.1 X.XX : ± 0.01	深圳市福伯特电子有限公司 Shenzhen Fbetter Electronic Co.,Ltd ADD: Introduction Building 6F, Xinan Street 71, Baoan District, Shenzhen, Guangdong, China
Drawn By : Chris	Checked By : Nick		
Designed By : Cary	Approved By : Hank		

7. Measurement Characteristics:

(1) Return Loss

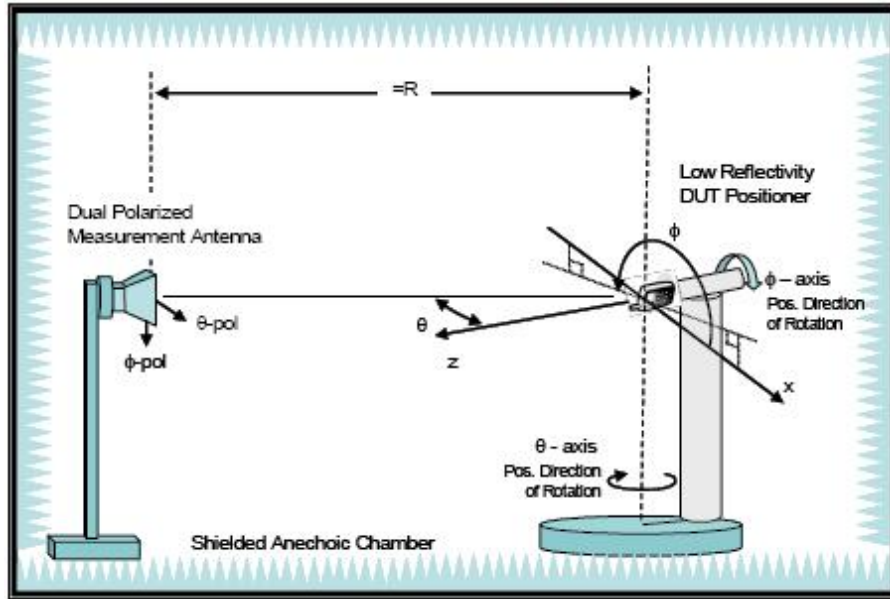


(2) VSWR



Scale :	Unit: mm	Tolerances (Unless otherwise specified) X : ± 1 X.X : ± 0.1 0.1 X.XX : ± 0.01	深圳市福伯特电子有限公司 Shenzhen Fbetter Electronic Co.,Ltd ADD: Introduction Building 6F, Xinan Street 71, Baoan District, Shenzhen, Guangdong, China
Drawn By : Chris	Checked By : Nick		
Designed By : Cary	Approved By : Hank		

8. Three D Radiation Pattern measurement

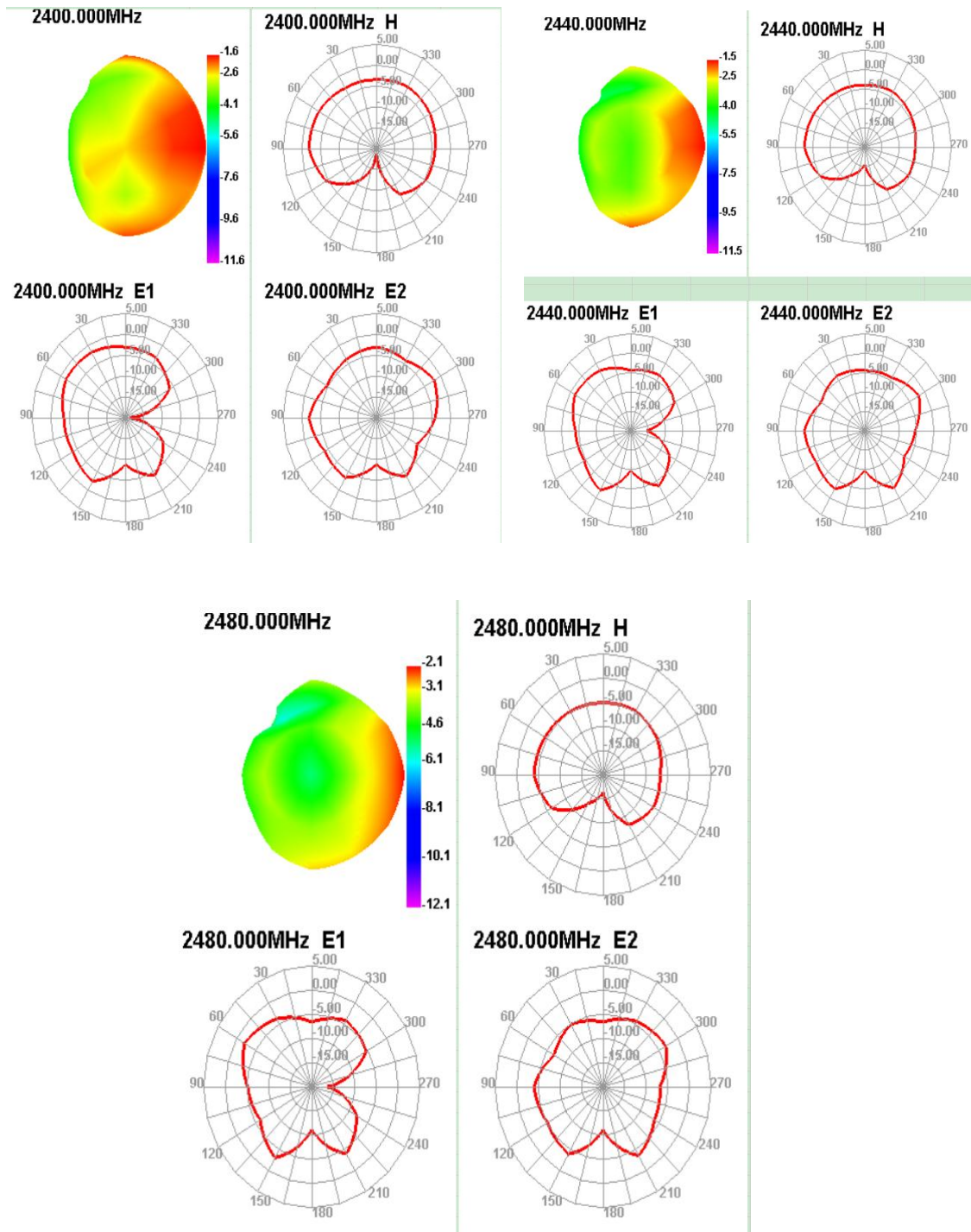


Passive Test For			
Freq	Effi	Effi	Gain
(MHz)	(%)	(dB)	(dBi)
2400	39.15	-4.07	-1.64
2410	40.15	-3.65	-1.2
2420	38.67	-4.13	-1.67
2430	39.88	-3.99	-1.46
2440	38.84	-4.11	-1.47
2450	41.99	-3.77	-0.98
2460	38.88	-4.83	-1.9
2470	37.69	-4.24	-1.19
2480	36.15	-5.07	-2.08

Scale :	Unit: mm	Tolerances (Unless otherwise specified) X : ± 1 X.X : ± 0.1 0.1 X.XX : ± 0.01	深圳市福伯特电子有限公司 Shenzhen Fbetter Electronic Co.,Ltd ADD: Introduction Building 6F, Xinan Street 71, Baoan District, Shenzhen, Guangdong, China
Drawn By : Chris	Checked By : Nick		
Designed By : Cary	Approved By : Hank		

9.Radiation Pattern

9-1.3D Gain Pattern (Radiation Pattern at 2450 MHz)



9-2.2D Gain complete machine (Radiation Pattern at 2450 MHz)

Scale :	Unit: mm	Tolerances (Unless otherwise specified) X : ± 1 X.X : ± 0.1 0.1 X.XX : ± 0.01	深圳市福伯特电子有限公司 Shenzhen Fbetter Electronic Co.,Ltd ADD: Introduction Building 6F, Xinan Street 71, Baoan District, Shenzhen, Guangdong, China
Drawn By : Chris	Checked By : Nick		
Designed By :Cary	Approved By :Hank		

10.Revision Control:

Revision	Date	Content	Remark
A	30.12.2021	New Issued.	N/A

包装图 (填写说明: 所插入的图片须清晰可见)

1.包装照片 (图片):

<p>1、单个物料照片或者图片</p> 	 <p>单包 120PCS 一包</p>
<p>3、外包装的照片或者图片</p> 	

Scale :	Unit: mm	Tolerances (Unless otherwise specified) X : ± 1 X.X : ± 0.1 X.XX : ± 0.01	深圳市福伯特电子有限公司 Shenzhen Fbetter Electronic Co.,Ltd ADD: Introduction Building 6F, Xinan Street 71, Baoan District, Shenzhen, Guangdong, China
Drawn By : Chris	Checked By : Nick		
Designed By : Cary	Approved By : Hank		