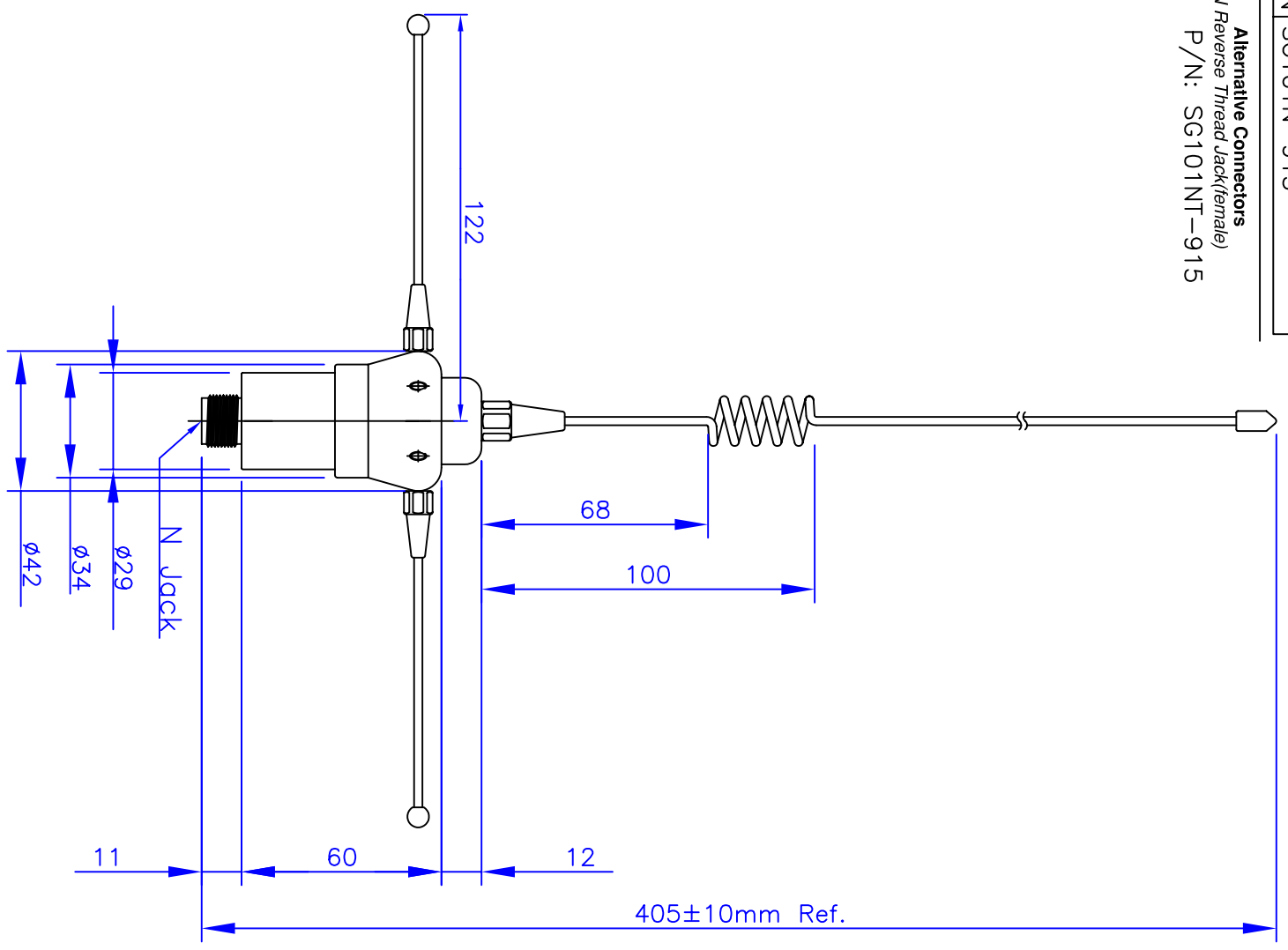


P/N SG101N-915

Alternative Connectors
 N Reverse Thread Jack(Female)
 P/N: SG101NT-915



Electrical Properties:

Operation Frequency: 902MHz ~ 928MHz
 Impedance: 50 ohms nominal
 Gain: 5dBi*
 VSWR: < 2.0
 Radiation: Omni
 Polarization: Vertical

*Gain is measured without cable

Mechanical Properties:

Antenna: Base Station Outdoors Application
 Antenna Whip Length: 16 in. (405±10mm).
 Connector: N Female connector
 Mounting base: Zinc Alloy with chrome plated
 Guided pipe: Aluminum Alloy
 Mounting hardware included.

Cable assembly attached in separate drawings upon request.

TITLE	900MHz Omni Directional Antenna		VER
UNIT	DWG. NO.	SG101N-915	1.0
mm			
SCALE			
1:2			
NEARSON			
http://www.nearson.com			