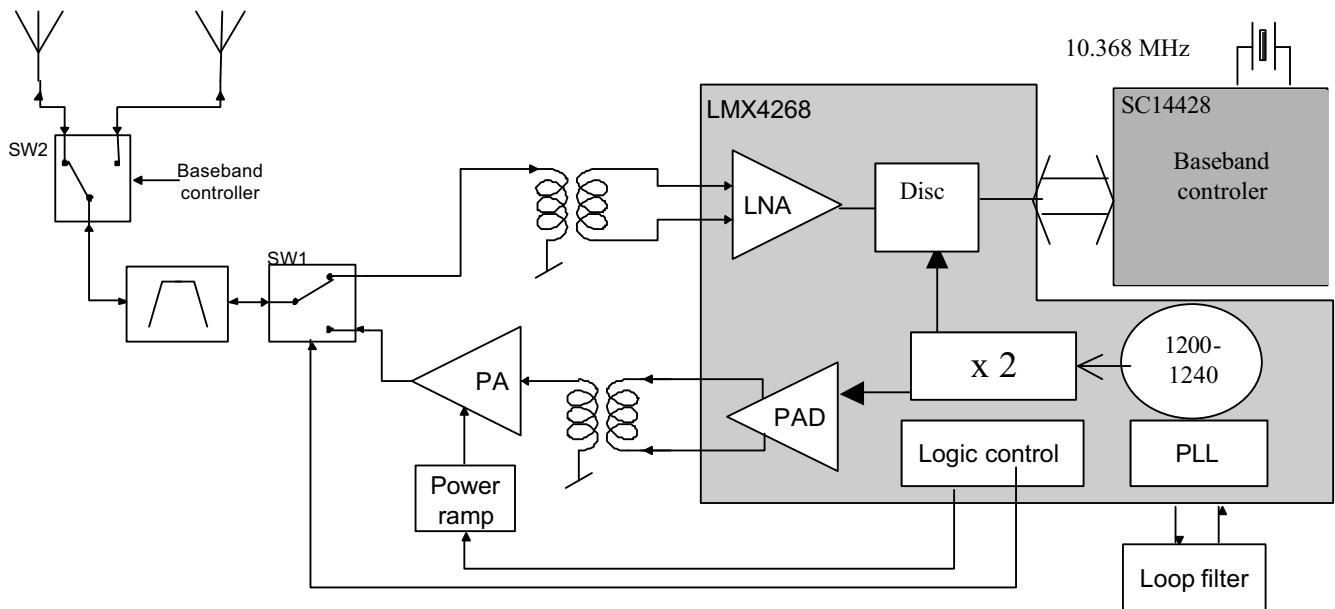


4.8 Transceiver Block diagram



Date: 26-Apr-2004	Project name: CVM	Technical Documentation	
File: FCC description 2G4 (Ver2.0)cvm.doc		Ref.: JTP/FM	Page: 10 of 9

This document and the information contained is property of RTX Telecom A/S, Denmark. Unauthorized copying is not allowed. The information in this document is believed to be correct at the time of writing. RTX Telecom A/S reserves the right at any time to change said content, circuitry and specifications.