

Sensus Non-Disclosure Memorandum

Sensus OEMs:

This memorandum serves as an additional agreement between Sensus and its OEMs stating that the OEMs will use the Sensus FlexNet module (See Appendix 1) in accordance with the FCC rules on modular approved devices. The Sensus FlexNet Transceiver is professionally installed inside various Sensus and third party meters (See Appendix 2). The module label will be located either on the side of the host meter or on the front of the host meter and will display both the FCC and IC IDs of the FlexNet module. Confidentiality of the internal photos and the technical manual is being requested because this is a non-consumer device which is not accessible by the general public, professionally installed, and is only serviceable by Sensus, or designated technicians.

Please feel free to contact me directly should there be any questions regarding this matter.

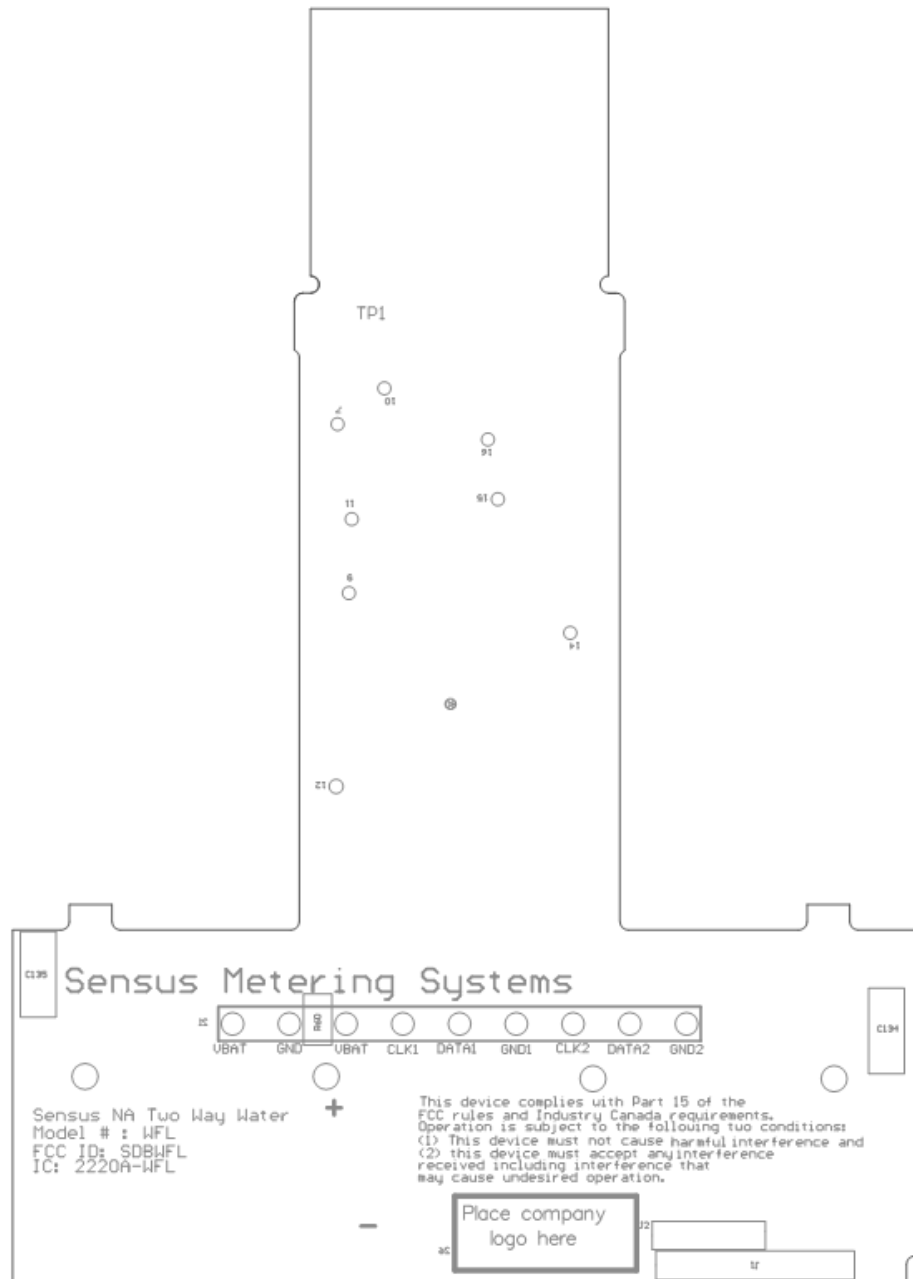
Respectfully,



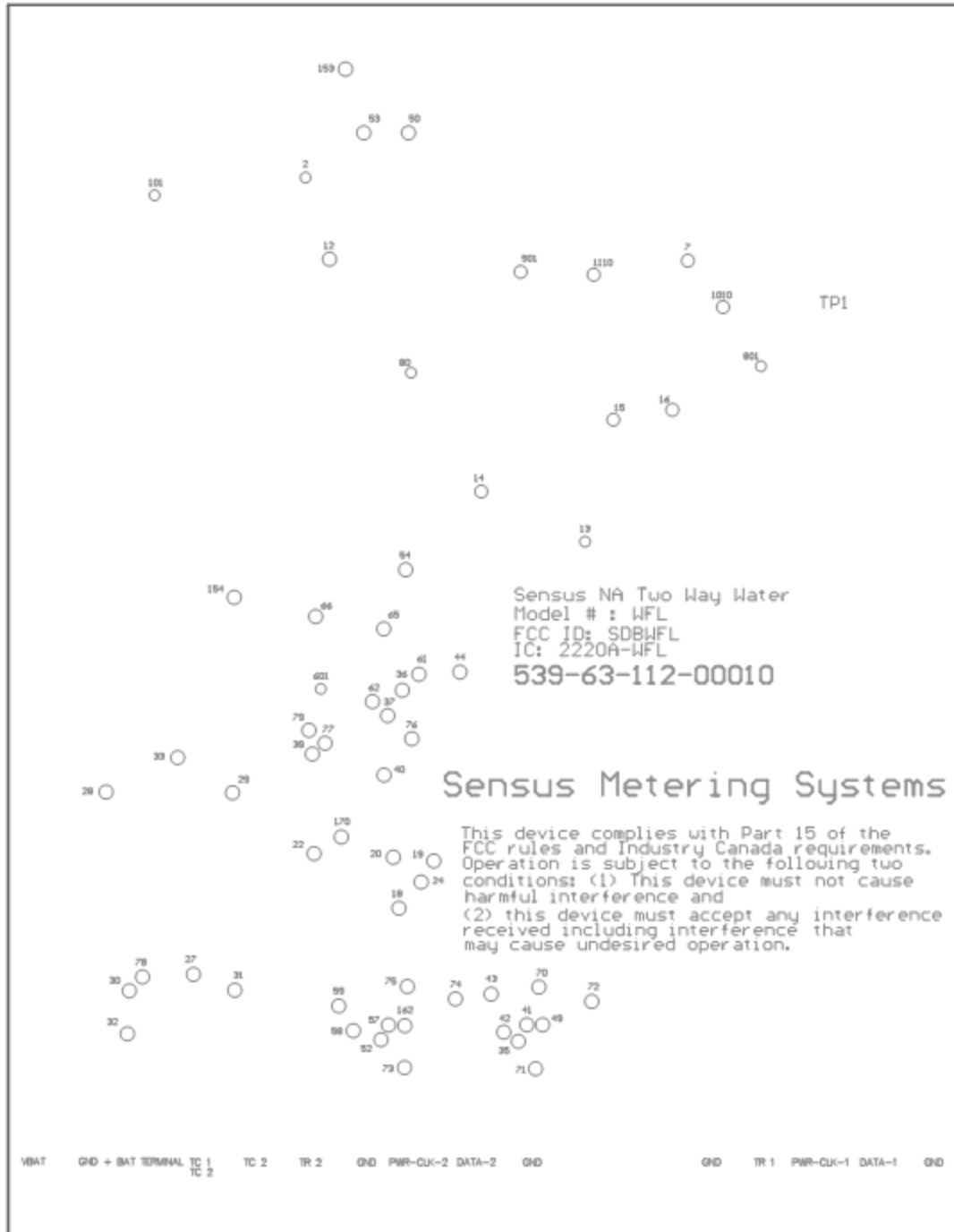
Al Servais | Reliability and Compliance Program Manager
400 Perimeter Park | Suite K | Morrisville, NC 27560 USA
T: 919-379-1951 | C: 919-208-8983 | al.servais@sensus.com | www.sensus.com

Sensus Non-Disclosure Memorandum

Appendix 1- A (T-Version)

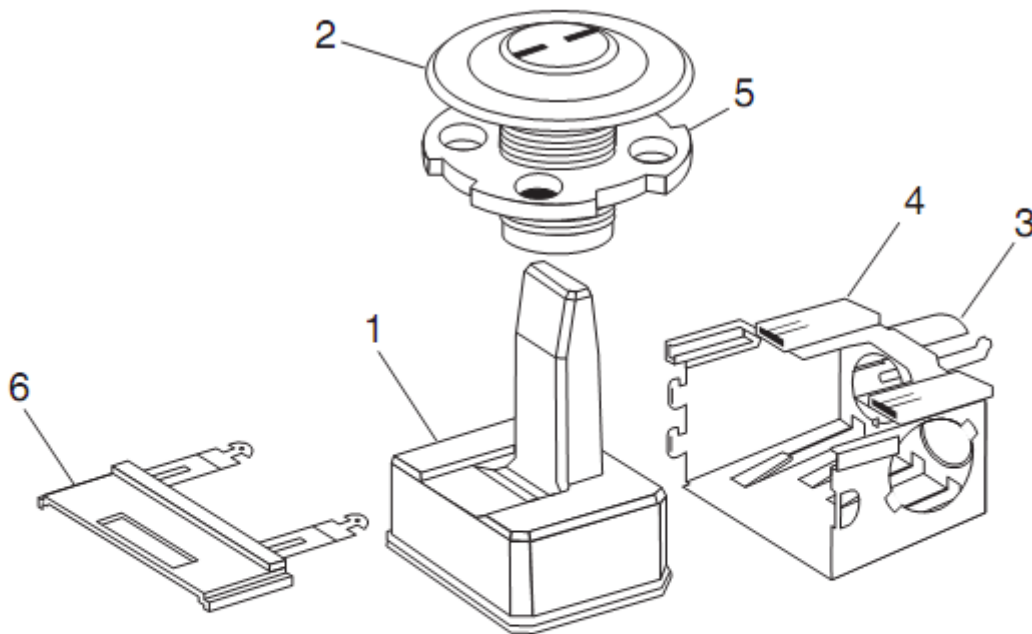


Appendix 1- B (SOH Version)



Sensus Non-Disclosure Memorandum

Appendix 2 (Radio/Meter Interface)



1. HDPE Radio
2. Pit Lid Housing
3. TouchCoupler TR/PL Adaptor
(TouchCoupler enabled units only)
4. Boot
5. Pit Locking Nut
6. Boot Locking Clip