



Excellence in Compliance Testing

Certification Exhibit

**FCC ID: SDBSGW100
IC: 2220A-SGW100**

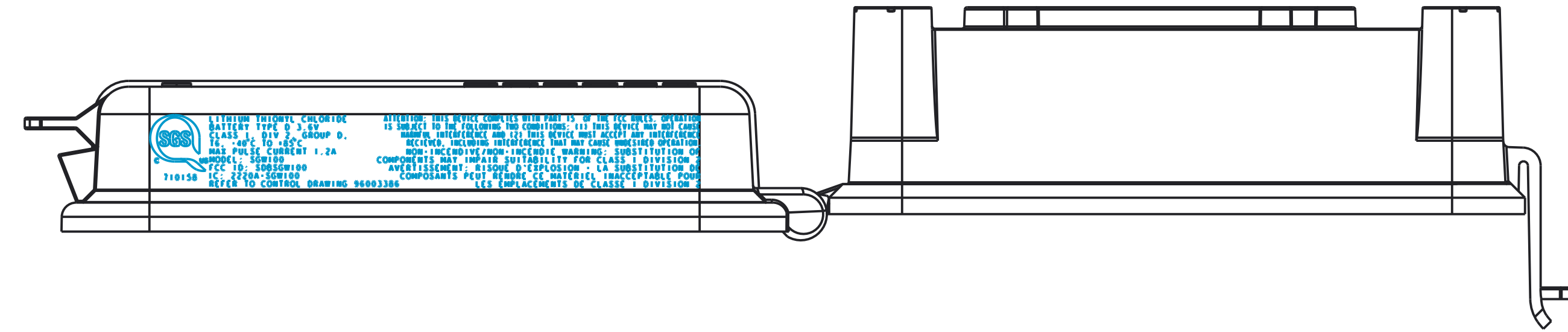
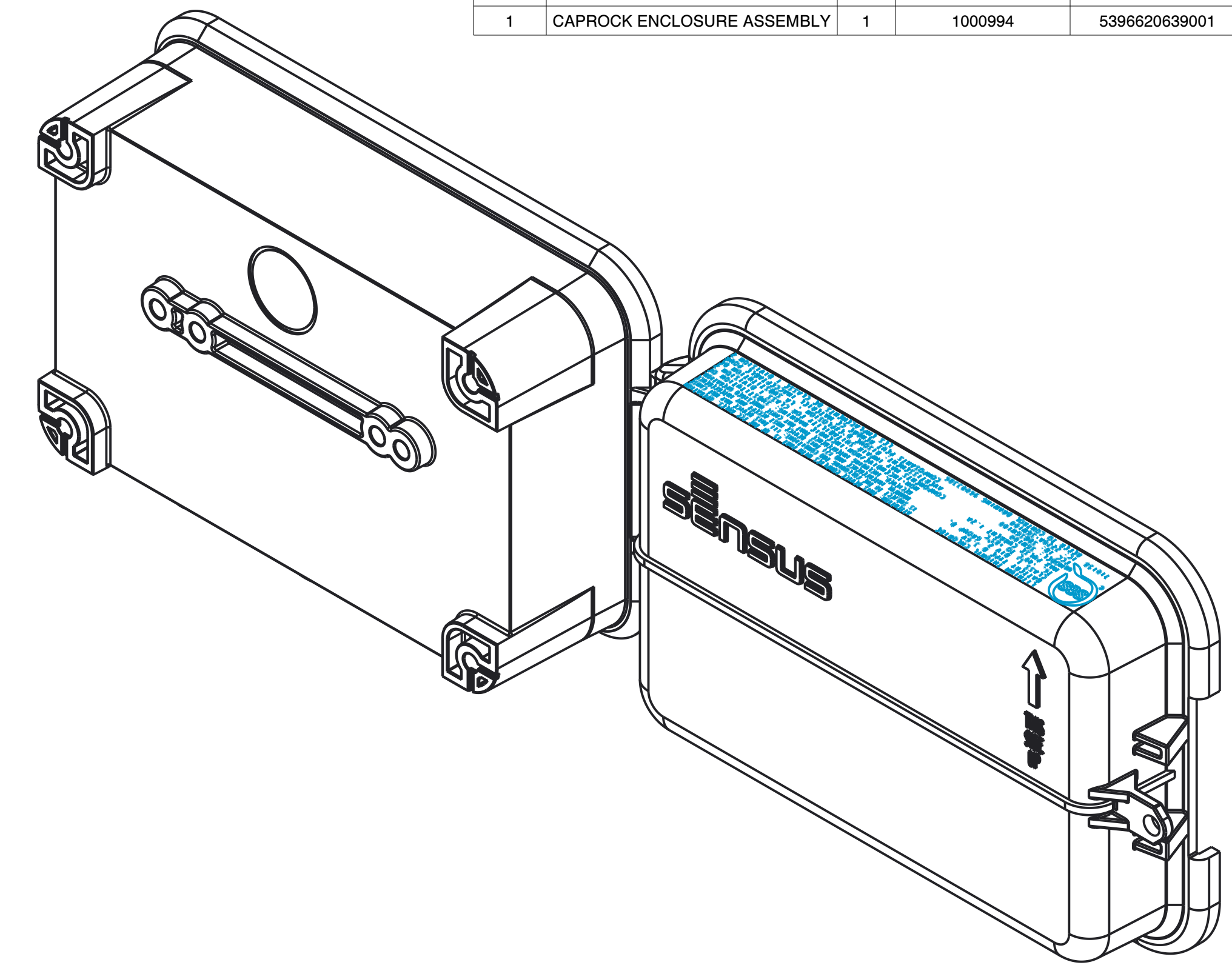
**FCC Rule Part: CFR 47 Part 24 Subpart D, Part 101, Subpart C
IC Radio Standards Specification: RSS 119, RSS 134**

ACS Project Number: 15-3018

**Manufacturer: Sensus Metering Systems, Inc.
Model: SGW100**

Label

INDEX	DESCRIPTION	QTY	DRAWING NUMBER	PART NUMBER
1	CAPROCK ENCLOSURE ASSEMBLY	1	1000994	5396620639001



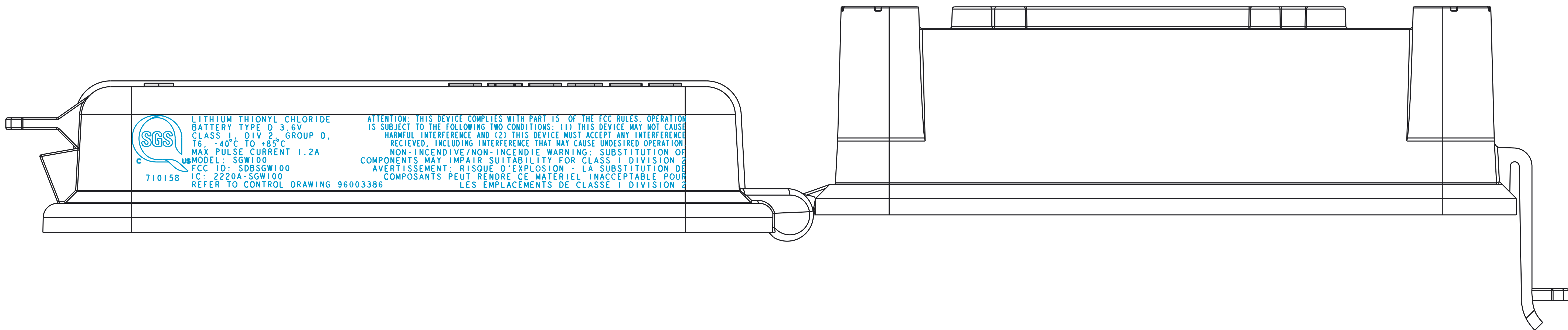
CONFIDENTIAL AND PROPRIETARY:
 All rights reserved. This document is confidential, proprietary and copyrighted. It shall not be reproduced, disseminated or otherwise made available to third parties or otherwise used without our prior written consent. Unlawful use - also in parts or in revised form - may be pursued under civil and criminal law.

CREATION DATA		ALL DIMENSIONS ARE IN INCHES			
CREATED BY:	Wimbish	UNLESS OTHERWISE SPECIFIED, TOLERANCES TO BE:			
CREATED ON:	25.03.15	ANGLES	.X	.XX	.XXX
APPROVED BY:	Warren	± 0.50	± 0.02	± 0.01	± 0.005
APPROVED ON:	31.03.15	CHANGE DATA			
CHANGED BY:	PRE-PRODUCTION RELEASE	MATERIAL / PART SUPPLIER			
CHANGED ON:		MATERIAL TYPE			
APPROVED BY:		SUPPLIER PART NUMBER			
APPROVED ON:		SENSUS MATERIAL PART NUMBER			
CHANGE DESC OPTION:		MASS	N/A		
		VOLUME	N/A		
		MOLD REVISION			
		5396620639002	ETCHED ENCLOSURE		
		SENSUS PART NUMBER	DESCRIPTION		


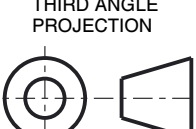


8601 SIX FORKS RD
 SUITE 700
 RALEIGH, NC 27615
 USA

TITLE			PROJECT			LIFECYCLE STATE	
ETCHED ENCLOSURE			Smart Gateway		Pre-Prod Release		
THIRD ANGLE PROJECTION	SHEET SIZE	REVISION	D	1	DRAWING NUMBER		96003057
	D	1	SCALE		1 OF 3	1.00	



CONFIDENTIAL AND PROPRIETARY:
 All rights reserved. This document is confidential, proprietary and copyrighted. It shall not be reproduced, disseminated or otherwise made available to third parties or otherwise used without our prior written consent. Unlawful use - also in parts or in revised form - may be pursued under civil and criminal law.

ALL DIMENSIONS ARE IN INCHES						8601 SIX FORKS RD SUITE 700 RALEIGH, NC 27615 USA	
UNLESS OTHERWISE SPECIFIED, TOLERANCES TO BE:						TITLE	
ANGLES ±0.50°	.X ±0.02	.XX ±0.01	.XXX ±0.005	PROJECT		LIFECYCLE STATE	
MATERIAL / PART SUPPLIER				Smart Gateway		Pre-Prod Release	
MATERIAL TYPE				SHEET SIZE		DRAWING NUMBER	
SUPPLIER PART NUMBER				D		1	
SENSUS MATERIAL PART NUMBER				SHEET		SCALE	
MASS				2 OF 3		2.25	
VOLUME				THIRD ANGLE PROJECTION		96003057	
MOLD REVISION							

1

2

3

4

5

6

7

8

D

D

C

C

B

B

A


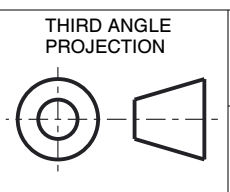
A


 ATTENTION: BREVETÉ COMPLET CONFORMÉMENT À LA LOI SUR LES DROITS DE PROPRIÉTÉ INDUSTRIELLE. TOUS DROITS RÉSERVÉS.
 ATTENTION: BREVETÉ COMPLET CONFORMÉMENT À LA LOI SUR LES DROITS DE PROPRIÉTÉ INDUSTRIELLE. TOUS DROITS RÉSERVÉS.
 ATTENTION: BREVETÉ COMPLET CONFORMÉMENT À LA LOI SUR LES DROITS DE PROPRIÉTÉ INDUSTRIELLE. TOUS DROITS RÉSERVÉS.
 ATTENTION: BREVETÉ COMPLET CONFORMÉMENT À LA LOI SUR LES DROITS DE PROPRIÉTÉ INDUSTRIELLE. TOUS DROITS RÉSERVÉS.
 ATTENTION: BREVETÉ COMPLET CONFORMÉMENT À LA LOI SUR LES DROITS DE PROPRIÉTÉ INDUSTRIELLE. TOUS DROITS RÉSERVÉS.
 ATTENTION: BREVETÉ COMPLET CONFORMÉMENT À LA LOI SUR LES DROITS DE PROPRIÉTÉ INDUSTRIELLE. TOUS DROITS RÉSERVÉS.
 ATTENTION: BREVETÉ COMPLET CONFORMÉMENT À LA LOI SUR LES DROITS DE PROPRIÉTÉ INDUSTRIELLE. TOUS DROITS RÉSERVÉS.
 ATTENTION: BREVETÉ COMPLET CONFORMÉMENT À LA LOI SUR LES DROITS DE PROPRIÉTÉ INDUSTRIELLE. TOUS DROITS RÉSERVÉS.

CONFIDENTIAL AND PROPRIETARY:
 All rights reserved. This document is confidential, proprietary and copyrighted. It shall not be reproduced, disseminated or otherwise made available to third parties or otherwise used without our prior written consent. Unlawful use - also in parts or in revised form - may be pursued under civil and criminal law.

SENSEUS PART NUMBER	DESCRIPTION
5396620639002	

CREATION DATA		ALL DIMENSIONS ARE IN INCHES			
CREATED BY	Wimbish	UNLESS OTHERWISE SPECIFIED, TOLERANCES TO BE:			
CREATED ON	25.03.15	ANGLES ±0.50°	-X ±0.02	XX ±0.01	XXX ±0.005
APPROVED BY	Warren				
APPROVED ON	31.03.15	MATERIAL / PART SUPPLIER			
CHANGE DATA		MATERIAL TYPE			
CHANGED BY	PRE-PRODUCTION RELEASE	SUPPLIER PART NUMBER			
CHANGED ON		SENSEUS MATERIAL PART NUMBER			
APPROVED BY		MASS	0.57 lb		
APPROVED ON		VOLUME	11.40 in³		
CHANGE DESC OPTION		MOLD REVISION			

		8601 SIX FORKS RD SUITE 700 RALEIGH, NC 27615 USA	
		TITLE	
1:1 SCALE FOR DXF		PROJECT	
		Smart Gateway	
		SHEET SIZE	REVISION
		D	1
3 OF 3		SCALE	DRAWING NUMBER
		1.00	96003057

1

2

3

4

5

6

7

8