



Excellence in Compliance Testing

Certification Exhibit

**FCC ID: SDBM400G2900
IC: 2220A-M400G2900**

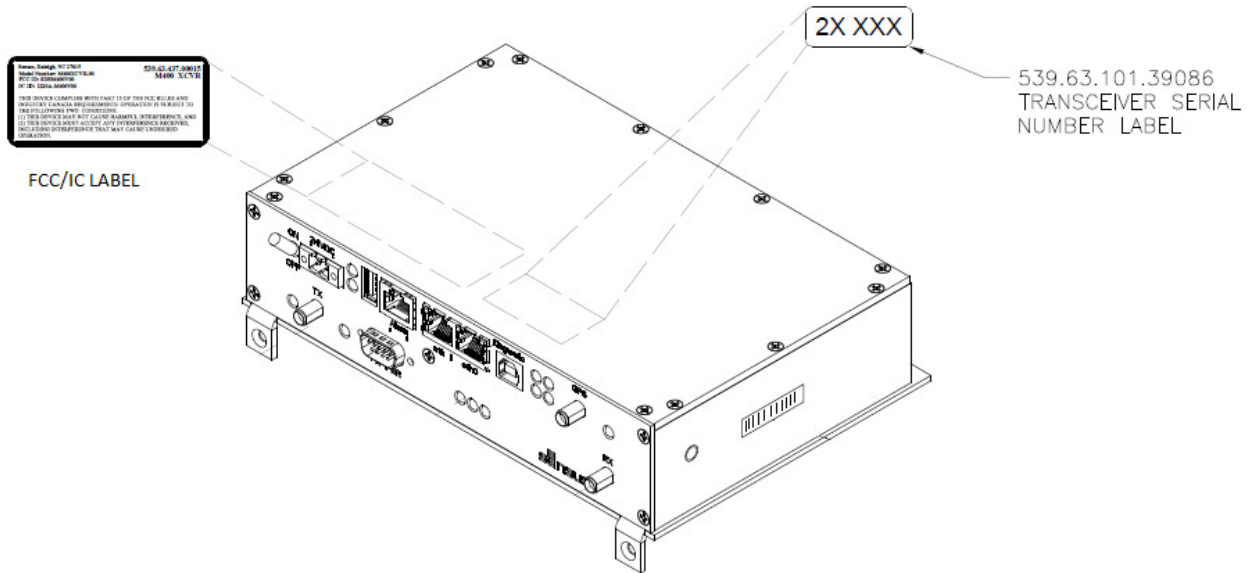
**FCC Rule Part: CFR 47 Part 24 Subpart D, Part 101, Subpart C
ISED Canada's Radio Standards Specification: RSS 119, RSS 134**

ACS Project Number: 16-3040

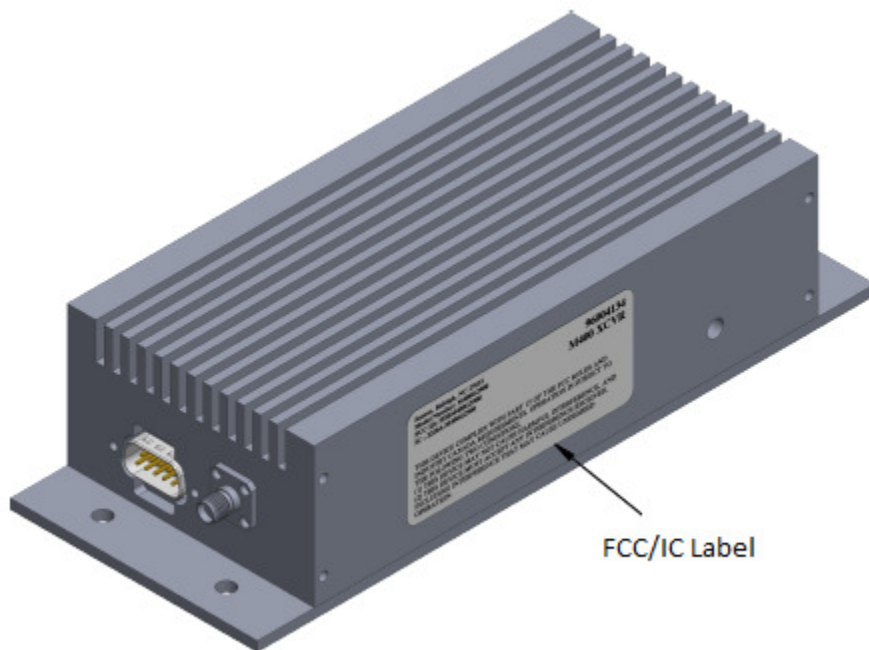
**Manufacturer: Sensus Metering Systems, Inc.
Model: M400G2900**

Label

M400G2900 Label Locations



Transceiver FCC/IC Label Location

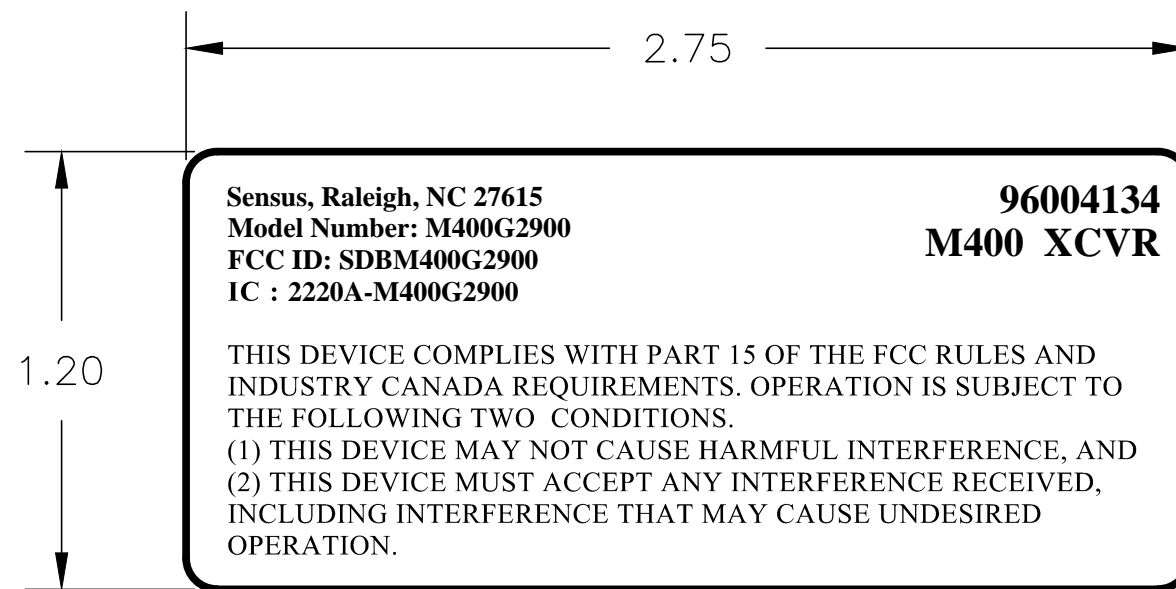


PA FCC/IC Label Location

CONFIDENTIAL:
 TO BE USED ONLY FOR THE PURPOSE FOR WHICH IT IS SUBMITTED.
 ALL RIGHTS ARE RESERVED TO SENSUS.
 REPRODUCTION WITHOUT PRIOR WRITTEN CONSENT IS PROHIBITED.

NOTES:
 (UNLESS OTHERWISE NOTED)
 1. WHITE LETTERING ON BLACK BACKGROUND ON CLEAR LEXAN [8835 @ 0.010" LAMINATED WITH 3M 467 ADHESIVE AND DIE CUT]. (ALL INKS MUST BE RoHS COMPLIANT AND PRINTED ON BACKSIDE OF LEXAN).

REVISIONS								
REV	DESCRIPTION	PROJ	ENG	ENG	PROD	DOC REL	ECN #	DATE
01	INITIAL RELEASE	K. CHERAMIE	J. GALLAGH			M. WOOD	-	1/26/16



UNLESS OTHERWISE SPECIFIED DIMENSIONS ARE IN INCHES TOLERANCES DECIMALS ANGULAR .XX ±.03 ± 1° .XXX ±.005 DO NOT SCALE DRAWING THIRD ANGLE PROJECTION 	DRAWN C. LACOSTE	DATE 1/26/2016		114 NORTHPARK BLVD. SUITE 10 COVINGTON, LA. 70433	
	PROJ ENG K. CHERAMIE	1/26/2016			
	ENG J. GALLAGH	1/26/2016	TITLE: M400 XCUR FCC LABEL		
	ENG K. CHERAMI	1/26/2016	SIZE B	DWG. NO. 96004971 PART NO. 539.63.101.39116	REV. 01
PRODUCTION DOC REL M. WOOD	1/26/2016	SCALE: 2:1	SHEET 1 OF 1		