

## Sensus Non-Disclosure Memorandum

September 29, 2010

Sensus OEMs:

This memorandum serves as an additional agreement between Sensus and its OEMs stating that the OEMs will use the Sensus FlexNet module (See Appendix 1) in accordance with the FCC rules on modular approved devices. The Sensus FlexNet Transceiver is professionally installed inside various Sensus and third party endpoints (See Appendix 2). The module label will be located either on the side of the host endpoint and will display both the FCC and IC IDs of the FlexNet module. Confidentiality of the internal photos and the technical manual is being requested because this is a non-consumer device which is not accessible by the general public, professionally installed, and is only serviceable by Sensus, or designated technicians.

Please feel free to contact me directly should there be any questions regarding this matter.

Respectfully,

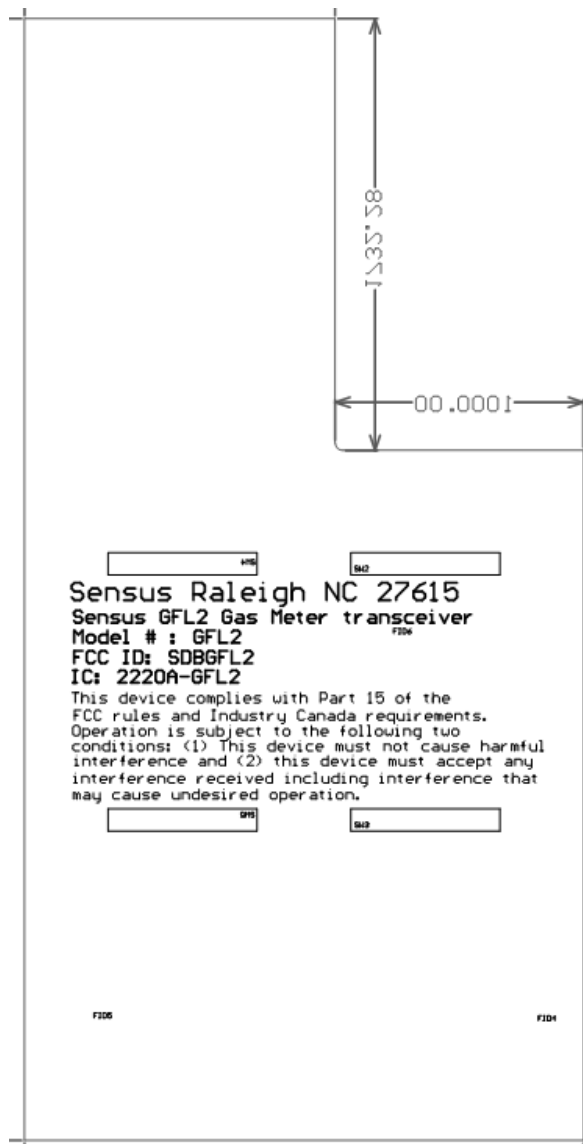


**Al Servais** | Reliability and Compliance Program Manager  
400 Perimeter Park | Suite K | Morrisville, NC 27560 USA  
T: 919-379-1951 | C: 919-208-8983 | [al.servais@sensus.com](mailto:al.servais@sensus.com) | [www.sensus.com](http://www.sensus.com)

# Sensus Non-Disclosure Memorandum

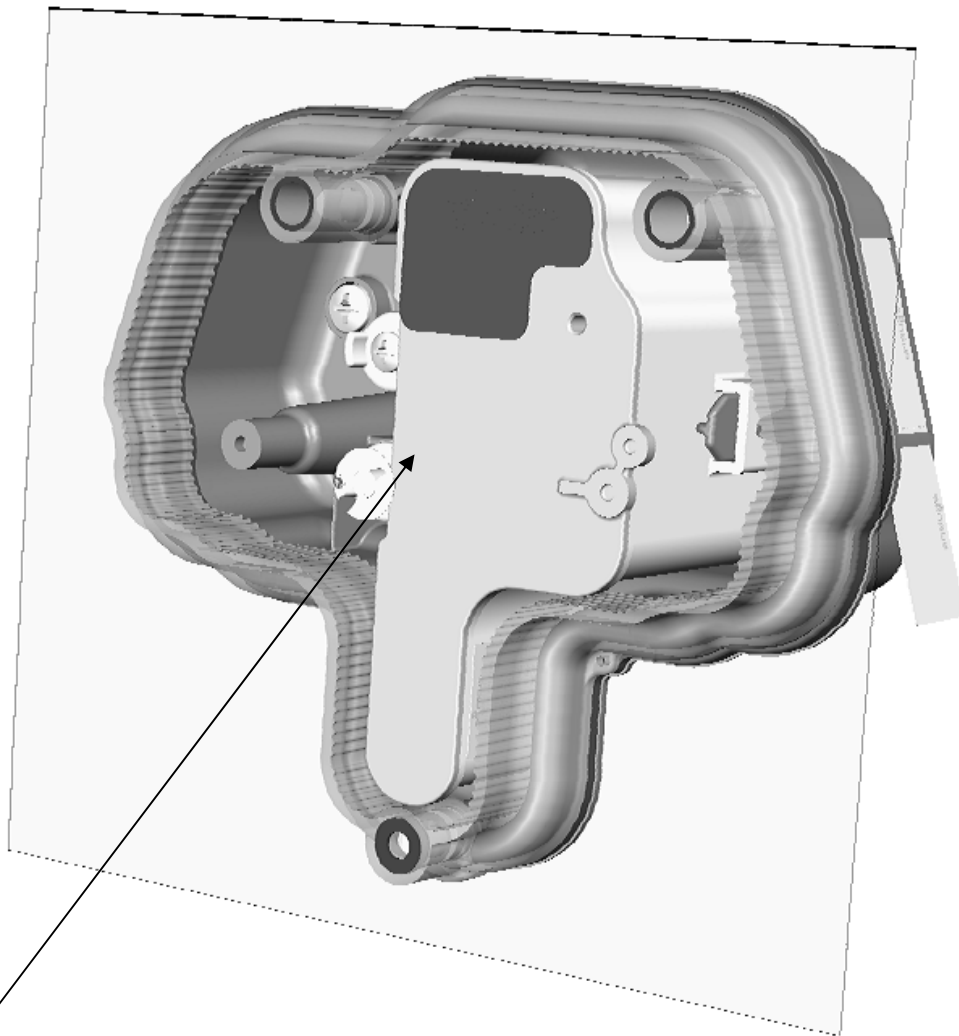
## Appendix 1

Sensus GFL2 Modular Device



## Sensus Non-Disclosure Memorandum

### Appendix 2



The radio module within the Sensus or OEM Endpoint