

Transmitter Certification

Test Report

FCC ID: SDB520X

**FCC Rule Part: CFR 47 Part 24 Subpart D, Part 90 Subpart I, Part 101
Subpart C**

ACS Report Number: 06-0147

Applicant: Advanced Metering Data Systems, LLC
Equipment Type: Water Meter Data Transmitter
Trade Name: Flexnet
Model(s): 510, 520

Label Information

Sample Label:

FCC ID: SDB520X

THIS DEVICE COMPLIES WITH PART 15 OF THE FCC RULES. OPERATION IS SUBJECT TO THE FOLLOWING TWO CONDITIONS. (1) THIS DEVICE MAY NOT CAUSE HARMFUL INTERFERENCE, AND (2) THIS DEVICE MUST ACCEPT ANY INTERFERENCE RECEIVED, INCLUDING INTERFERENCE THAT MAY CAUSE UNDESIRED OPERATION.

IC: 5733A-520X

This Class B digital apparatus complies with Canadian ICES-003.
Cet appareil numérique de la classe B est conforme à la norme NMB-003 du Canada.

Label Location:

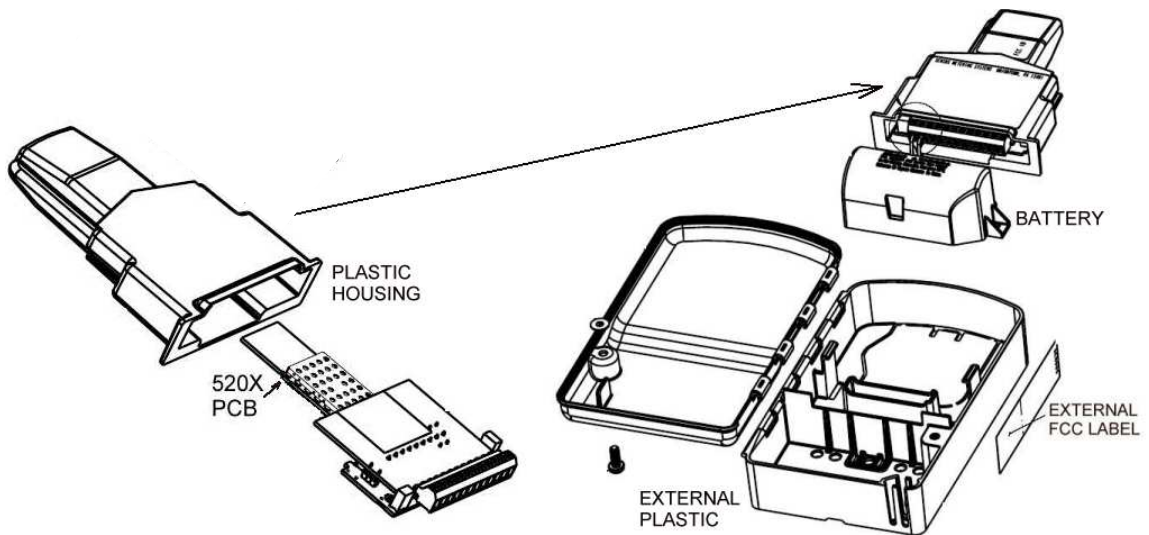


Figure 1: Model 510 Label Location

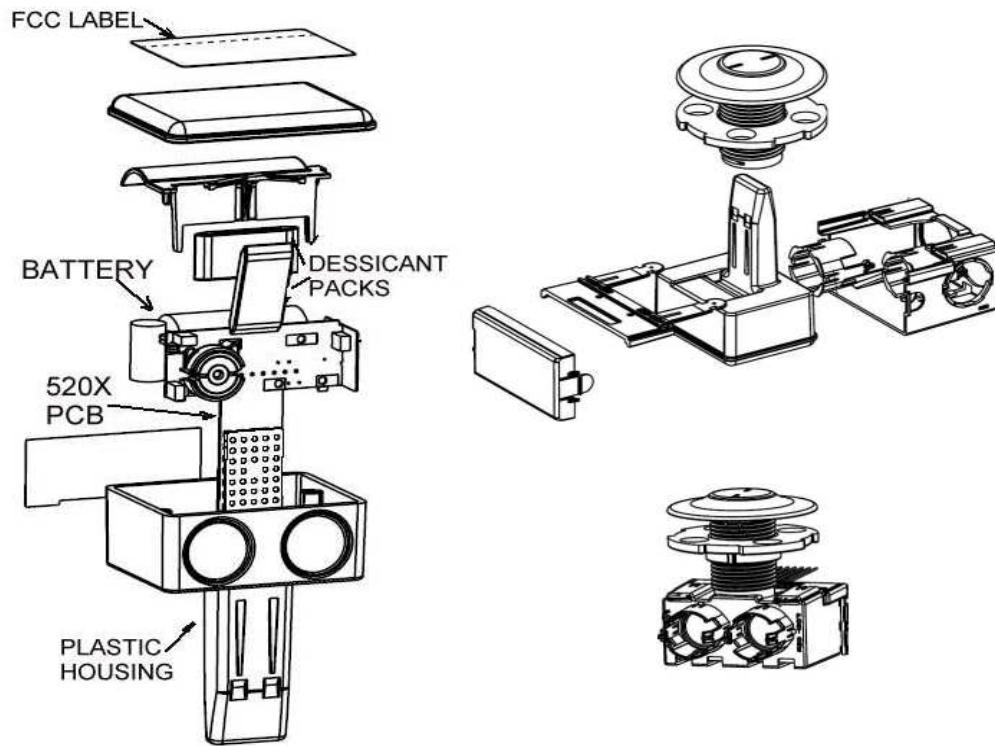


Figure 2: Model 520 Label Location