

承認書

APPROVAL SHEET

CUSTOMER: 泰鉅科技股份有限公司

CUSTOMER P/N:

DESCRIPTION: 2.4GHz 5dBi Antenna

MICON P/N: 71869

DATE: 2012/10/31

Customer Approval

1.0 Scope:

All details specified in this and other documentation must be met with.

This Product Specification covers the requirements of product performance and test methods of MICON's ANTENNA with bifurcated contacts.

2.0 PRODUCT DESCRIPTION:

2.1 PRODUCT NAME:

2.4GHz 5dBi Antenna

2.2 PRODUCT PART NUMBER:

71869

3.0 PERFORMANCE:

3.1 ELECTRICAL REQUIREMENTS(Continued)

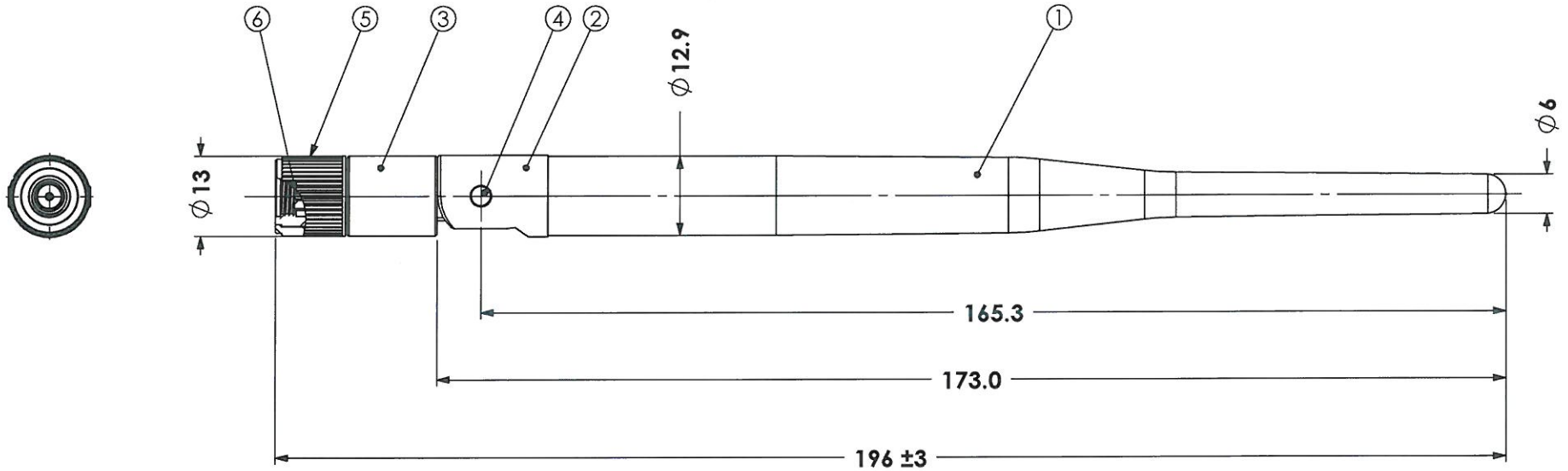
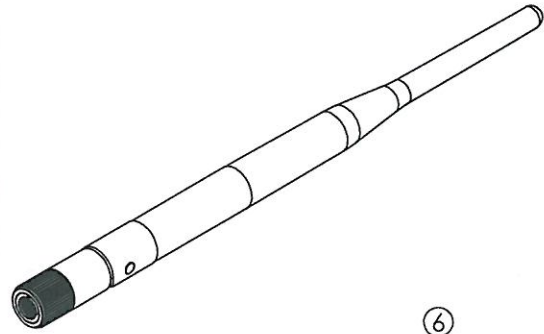
ITEM	DESCRIPTION	REQUIREMENTS
1	Impedance	50 Ohms
2	Frequency Range	2.4GHz
3	GAIN	5dBi
4	V.S.W.R	

3.2 MECHANICAL REQUIREMENTS:

ITEM	DESCRIPTION	REQUIREMENTS
1	ANTENNA BODY	PC/ABS
2	CABLE LENGTH	N/A
3	CABLE TYPE	N/A
4	TERMINAL TYPE	SMA JACK CONNECTOR
5	OPERATING TEMPERATURE RANGE	-20°C ~ +50°C

PART NO.: 71869	DESCRIPTION: 2.4GHz 5dBi Antenna	REV.: 1	
DOCUMENT NO.: 10110311056	CREATED / DATE: YANG 10/31/12	CHECKED / DATE: Joyce	APPROVED / DATE: IRIS 10/31/12

REV.	DESCRIPTION	DRAWN	ECN	DATE
A	NEW RELEASE(3006-12048)	Mirror	12-604	10-05'2012



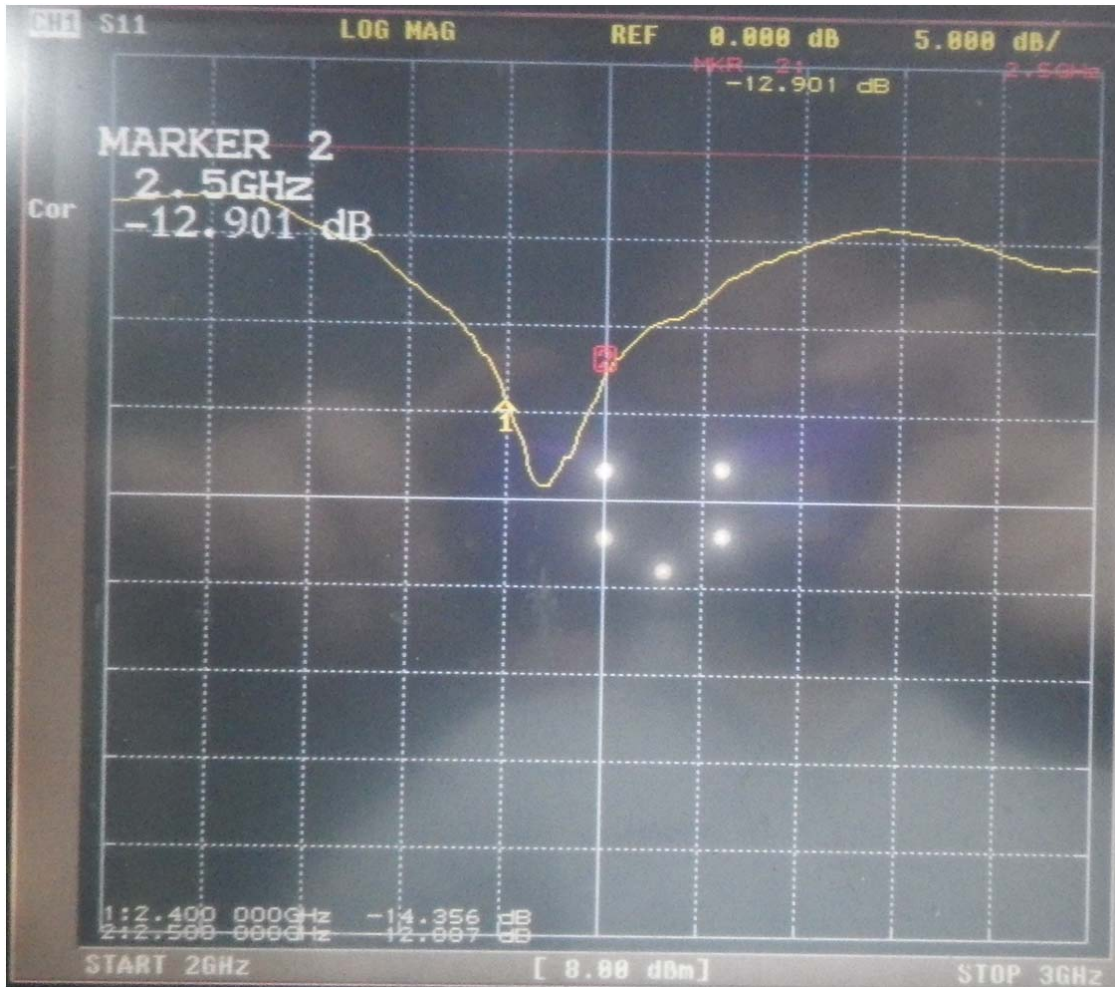
ELECTRICAL PERFORMANCE :

- 1.Impedance : 50 ohms
- 2.Frequency Range : 2.4 GHz
- 3.VSWR : 2.0 Max.
- 4.Gain : 5dBi Max.



6	CONTACT	P.BRONZE	GOLD	1
5	RP-SMA PLUG	BRASS	NICKEL	1
4	PIN	BRASS	BLACK Cr	2
3	PEDESTAL	PC	BLACK	1
2	ANTENNA POST	PC	BLACK	1
1	ANTENNA COVER	TPU 98A	BLACK	1
ITEM	DESCRIPTION	MATERIALS	FINISHED	Qty

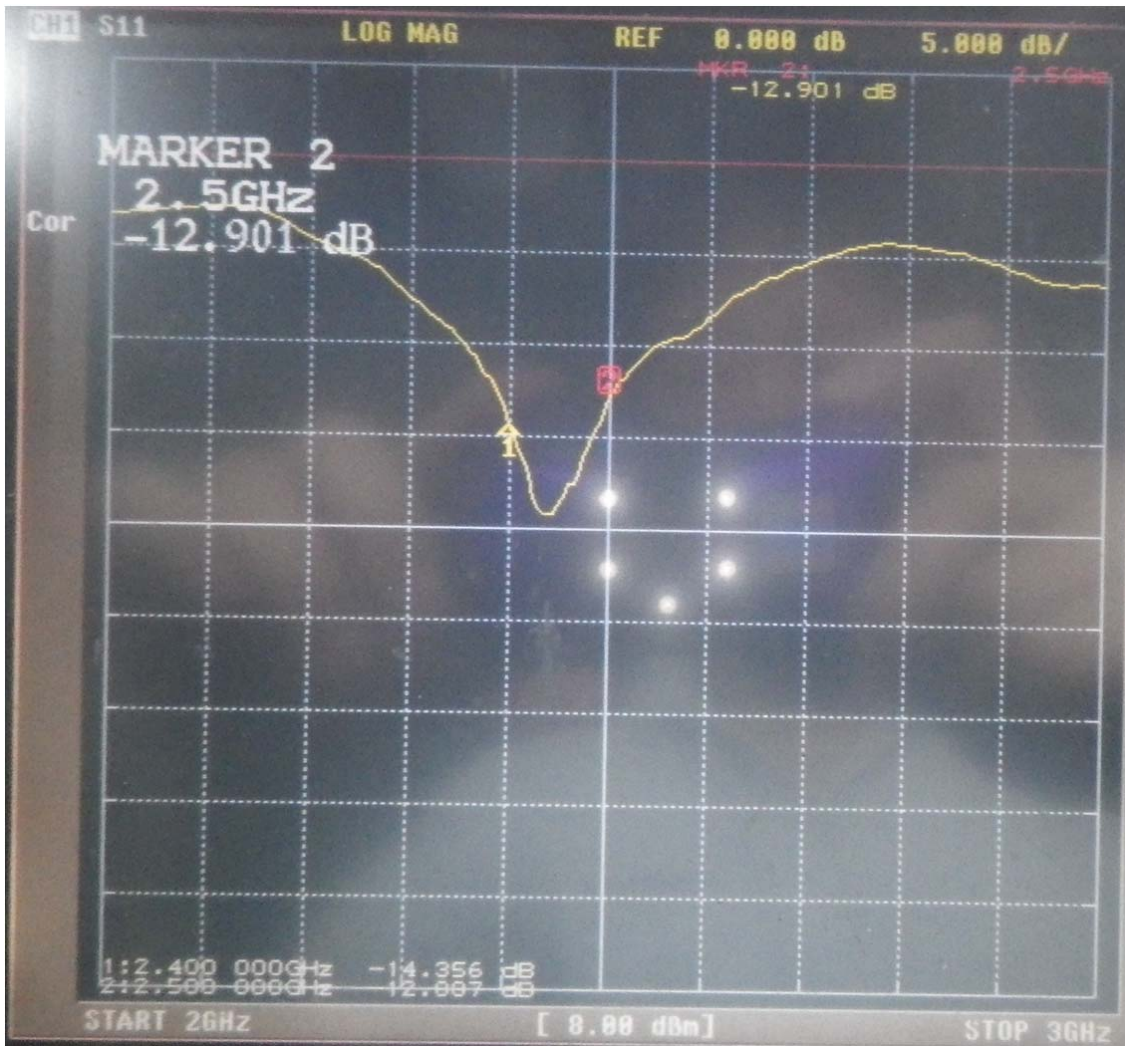
S11 (Insertion Loss)



Smith Chart



S11 (Return Loss)



V. S. W. R.

