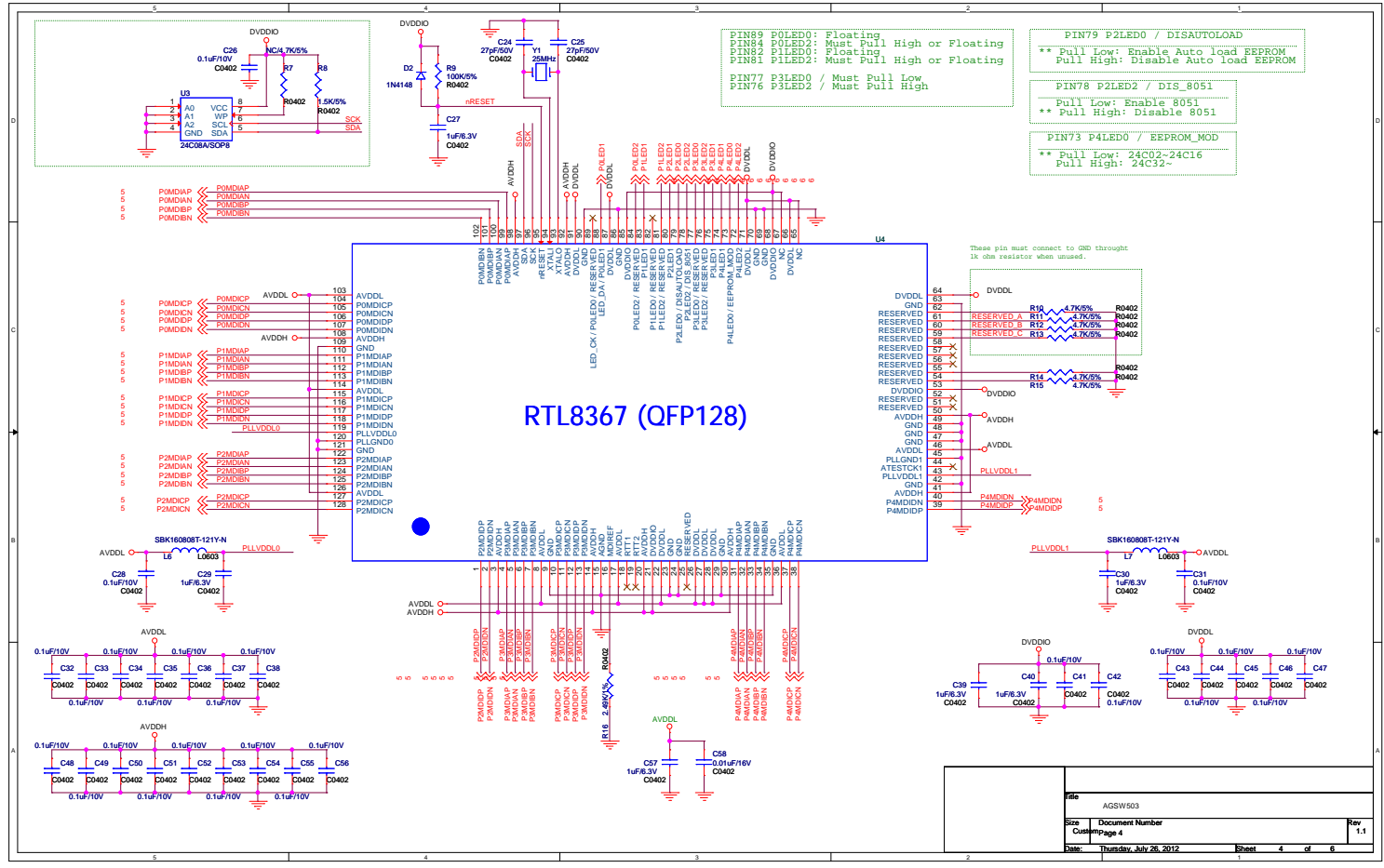


Title	AGSW803	
Size	Document Number	Rev
B	Page 3	1.1
Date:	Thursday, July 26, 2012	Sheet 3 of 6



PIN8 P0LED0 / Floating  
 PIN4 P0LED2 / Must Pull High or Floating  
 PIN2 P1LED0 / Floating  
 PIN2 P1LED2 / Must Pull High or Floating  
 PIN7 P3LED0 / Must Pull Low  
 PIN6 P3LED2 / Must Pull High

PIN9 P2LED0 / DISAUTOLOAD  
 \*\* Pull Low: Enable Auto load EEPROM  
 Pull High: Disable Auto load EEPROM

PIN78 P2LED2 / DIS\_8051  
 Pull Low: Enable 8051  
 \*\* Pull High: Disable 8051

PIN73 P4LED0 / EEPROM\_MOD  
 \*\* Pull Low: 24C02-24C16  
 Pull High: 24C32

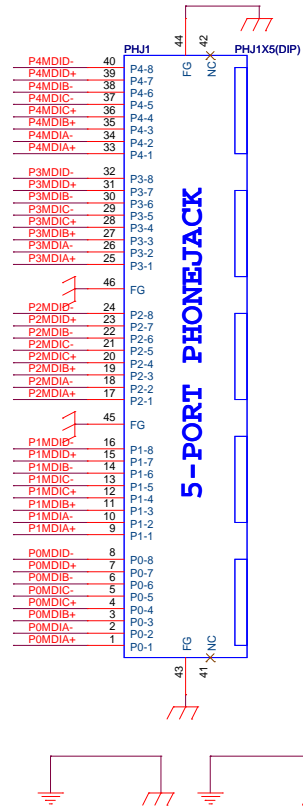
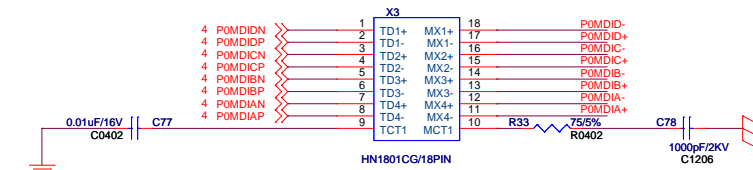
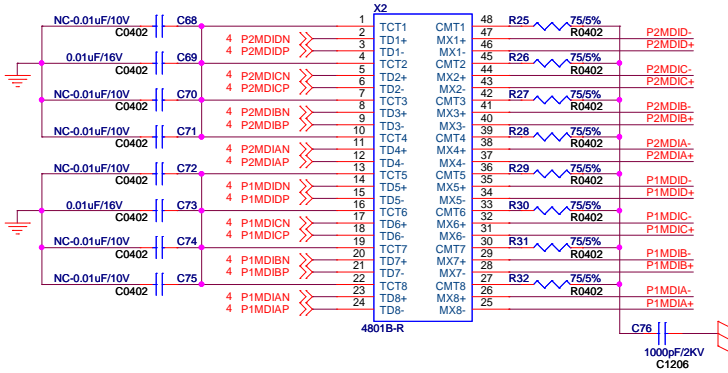
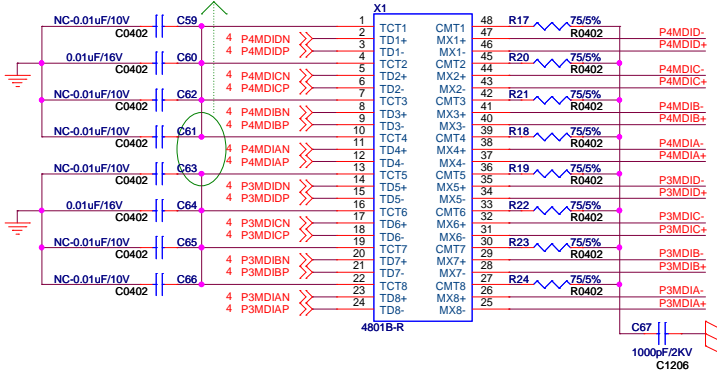
### RTL8367 (QFP128)

These pins must connect to GND through 1k ohm resistor when unused.

file	AGSW503
Size	Document Number
Customer	page 4
date	Thursday, July 28, 2012
Sheet	4 of 6
Rev	1.1

X'Formre Central Tap at Primary Side must tie with each other.

Can't tie together between different ports.

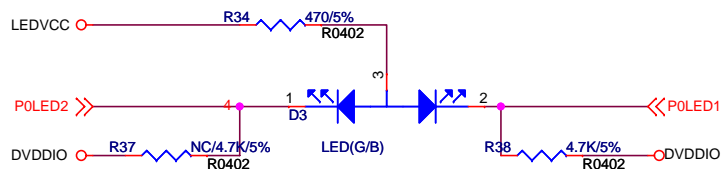


Title			
AGSW503			
Size	Document Number	Rev	
Custom	Page 5	1.1	
Date:	Thursday, July 26, 2012	Sheet	5 of 6

### Port 0 LED

P0LED0: Must Pull High or Floating

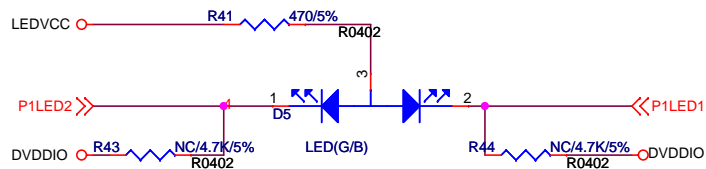
P0LED2: Must Pull High or Floating



### Port 1 LED

P1LED0: Must Pull High or Floating

P1LED2: Must Pull High or Floating



### Port 2 LED

P2LED0 / DISAUTOLOAD

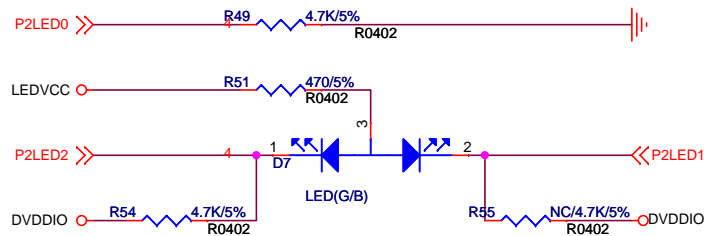
Pull Low: Enable Auto load EEPROM

Pull High: Disable Auto load EEPROM

P2LED2 / DIS\_8051

Pull Low: Enable 8051

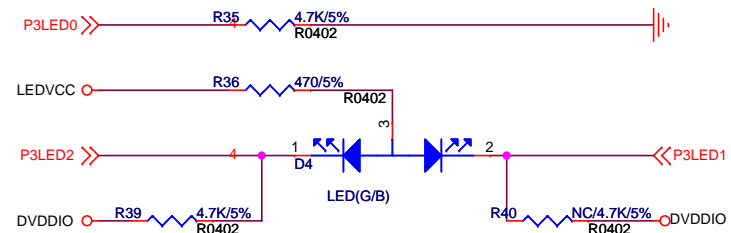
Pull High: Disable 8051



### Port 3 LED

P3LED0 / Must Pull Low

P3LED2 / Must Pull High

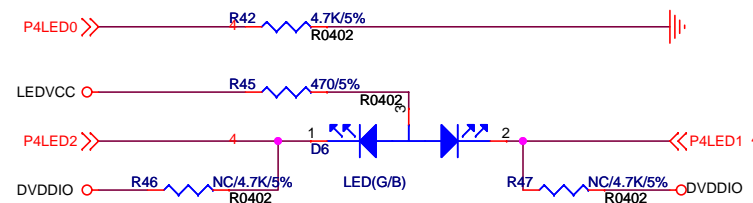


### Port 4 LED

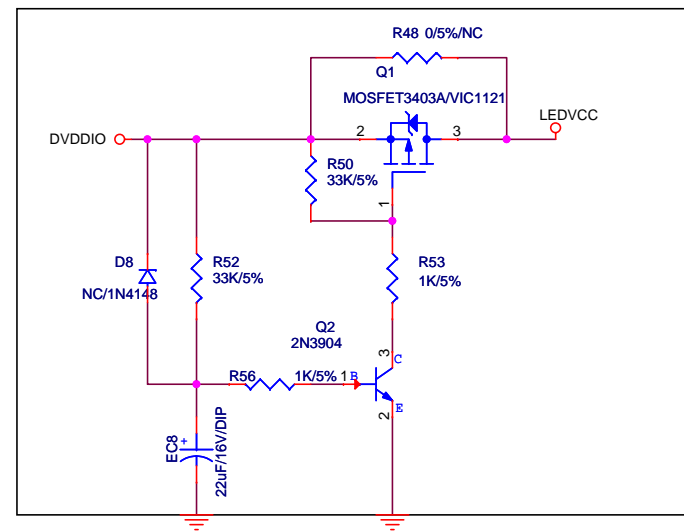
P4LED0 / EEPROM\_MOD

Pull Low: 24C02~24C16

Pull High: 24C32~



### Delay Circuits



Title  
AGSW503

Size  
Custom Page 6

Rev  
1.1

Date: Friday, November 16, 2012

Sheet 6 of 6