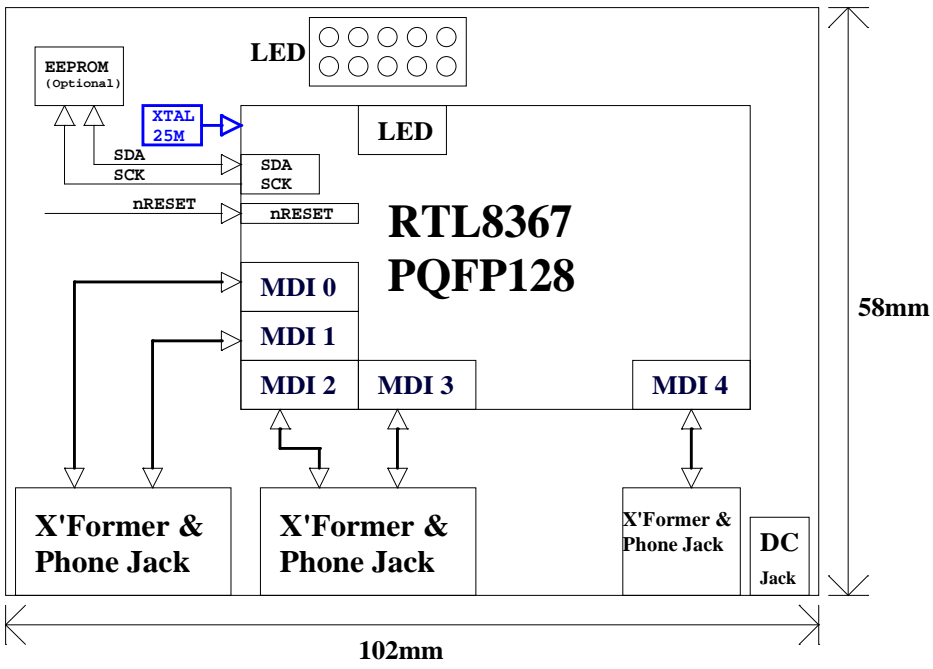


# Block Diagram



Title		DS606-AGSW503	
Size	Document Number	Rev	
B	Page 2	1.1	
Date:	Thursday, July 26, 2012	Sheet	2 of 6